

Excellent Integrated System Limited

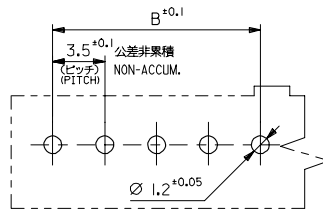
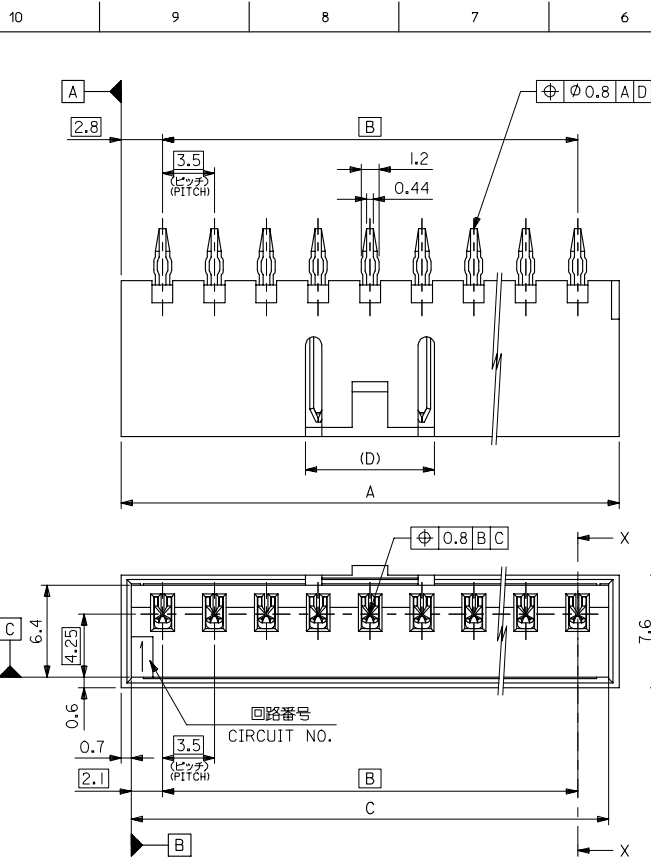
Stocking Distributor

Click to view price, real time Inventory, Delivery & Lifecycle Information:

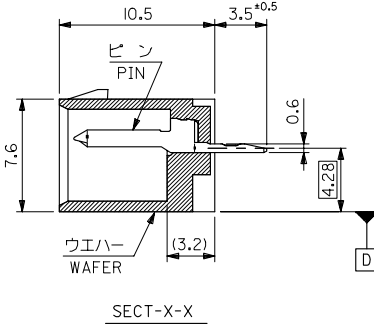
[Molex Connector Corporation](#)
[0532583004](#)

For any questions, you can email us directly:

sales@integrated-circuit.com



基板取付穴推奨寸法 (参考) (t=1.6)
RECOMMENDED P.C. BOARD HOLE DIM. (REF.)



注記 NOTES

- 嵌合相手: 51067 シリーズ
MATE WITH: 51067 SERIES
- 材質 MATERIAL
ウエハー: PBTP (ガラス15%入り)、UL94V-0
WAFER: PBTP (G.F. 15%), UL94V-0
ピン: リン青銅 ニッケル下地 鍍メッキ (t=0.254)
PIN: PHOS. BRO. TIN OVER NICKEL PLATING (t=0.254)
- MATERIAL NO. の説明
LEGEND
53258-3***
Ver. 1
色番号 0 自然色 (NATURAL) 極致
1 黒 (BLACK)
2 赤 (RED)
3 黄 (YELLOW)
4 青 (BLUE)
5 ピンク (PINK)
6 緑 (GREEN)
- 本製品は 53258-***1* の鉛フリー品である。
THIS PRODUCT IS LEAD FREE OF 53258-***1*.

8.7	53.2	49.0	54.6	53258-3*15	15
↑	49.7	45.5	51.1	↑	-3*14
	46.2	42.0	47.6		-3*13
	42.7	38.5	44.1		-3*12
	39.2	35.0	40.6		-3*11
	35.7	31.5	37.1		-3*10
	32.2	28.0	33.6		-3*09
	28.7	24.5	30.1		-3*08
	25.2	21.0	26.6		-3*07
	21.7	17.5	23.1		-3*06
↓	18.2	14.0	19.6		-3*05
8.7	14.7	10.5	16.1		-3*04
6.1	11.2	7.0	12.6		-3*03
6.1	7.7	3.5	9.1	53258-3*02	2

RELEASED EC NO: J2005-1783 O DRW: N. AIDA 2005/01/07 CHK: K. TOJO 2005/01/08 APPR: N. UKITA 2005/01/13 REV:	DESCRIPTION	GENERAL TOLERANCES (UNLESS SPECIFIED)	MODEL NO. 53258-3***	SCALE 4:1	DESIGN UNITS METRIC	THIRD ANGLE PROJECTION	
		10 UNDER ±0.2	DIMENSION STYLE MM ONLY				
		10 OVER 30 UNDER ±0.25	DRAWN BY N. AIDA DATE '04/12/16	TITLE 3.5 WIRE TO BOARD CONN WAFER ASSY (ST) -LEAD FREE-			
		30 OVER ±0.3	CHECKED BY K. TOJO DATE '04/12/16				
	ANGULAR ±3°	APPROVED BY N. UKITA DATE '04/12/16	MATERIAL NO. SEE CHART				
	DRAFT WHERE APPLICABLE MUST REMAIN WITHIN DIMENSIONS		DOCUMENT NO. SD-53258-008				
			SIZE A3	THIS DRAWING CONTAINS INFORMATION THAT IS PROPRIETARY TO MOLEX INCORPORATED AND SHOULD NOT BE USED WITHOUT WRITTEN PERMISSION			