

Excellent Integrated System Limited

Stocking Distributor

Click to view price, real time Inventory, Delivery & Lifecycle Information:

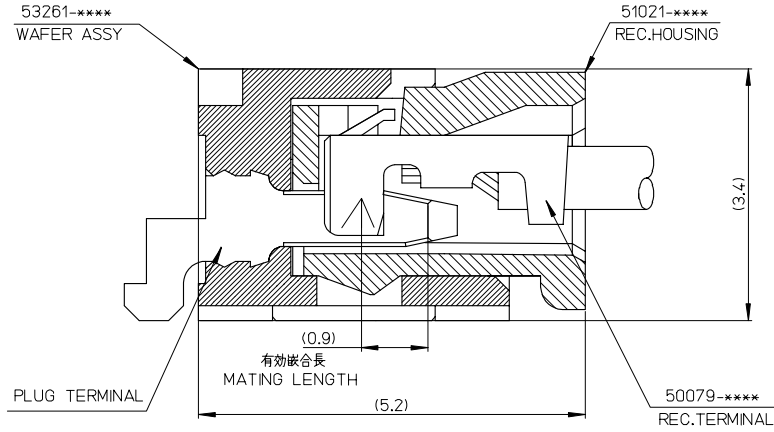
[Molex Connector Corporation](#)
[0532611371](#)

For any questions, you can email us directly:

sales@integrated-circuit.com

10 9 8 7 6 5 4 3 2 1

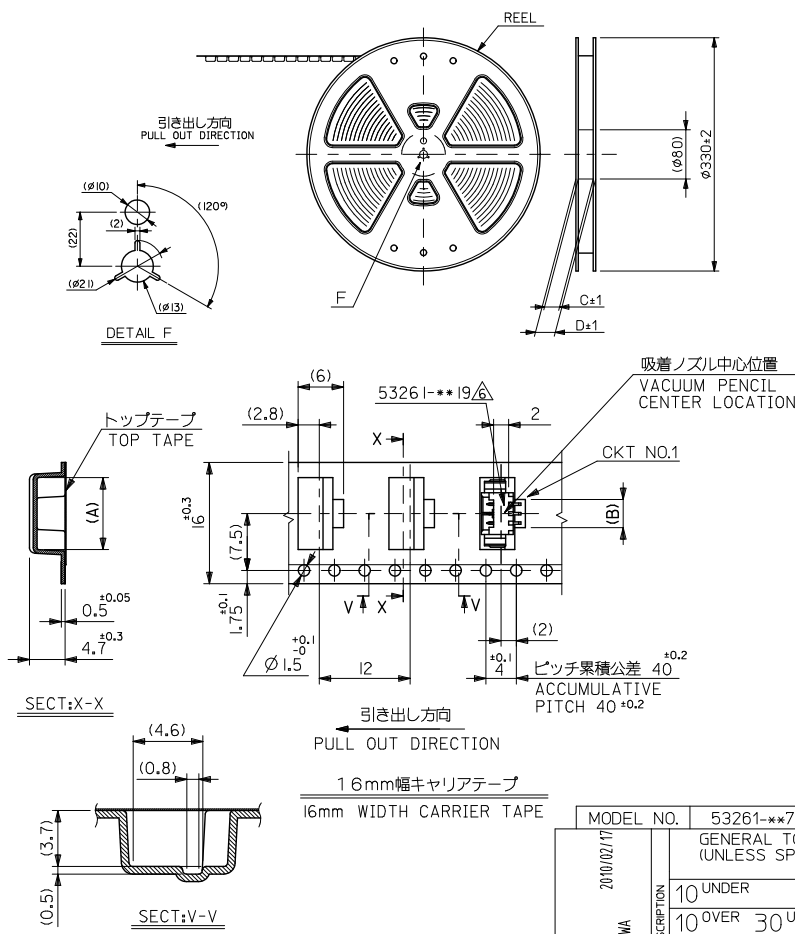
F
E
D
C
B
A



53261-****	WAFER ASSY	MODEL NO./MATERIAL NO.
50079-****	TERMINAL	
51021-****	HOUSING	

RELEASED EC NO: J2006-2426 DRAWN: A0YAGI CHKD: MAEDA APPR: NIKITA 2006/02/02 2006/02/03 2006/02/07	GENERAL TOLERANCES (UNLESS SPECIFIED)		DIMENSION STYLE MM ONLY	SCALE ---	DESIGN UNITS METRIC	THIRD ANGLE PROJECTION
	10 UNDER	±---	DRAWN BY Y. A0YAGI	DATE 2006/01/30	TITLE 1.25 W-T-O-B CONN. 51021,53261 MATING CROSS SECTION	
	10 OVER 30 UNDER	±---	CHECKED BY Y. MAEDA	DATE 2006/01/30	MOLEX INCORPORATED	
	30 OVER	±---	APPROVED BY N. UKITA	DATE 2006/01/30	MATERIAL NO. SEE CHART	
	ANGULAR	±---°	DRAFT WHERE APPLICABLE MUST REMAIN WITHIN DIMENSIONS		DOCUMENT NO. SD-51021-002	SHEET NO. 1 OF 1

10 9 8 7 6 5 4 3 2 1



注記 NOTES

- 53261-**-19 の詳細寸法については図面 SD-53261-024 を参照下さい。
RE DETAILED DIMENSIONS, SEE SD-53261-024
- 梱包数量: 1000個/リール
NUMBER OF CONNECTOR: 1000PCS/REEL
- リードテープ長さ LEAD TAPE LENGTH
トップテープリーダ部 TOP TAPE LEADER PART: 175 ± 0.25
トップテープ未接着部 TOP TAPE NON-BONDED PART: 25 ± 0.05
- 材料 (MATERIAL)
キャリアテープ (CARRIER TAPE): ポリプロピレン (POLYPROPYLENE)
トップテープ (TOP TAPE): PET, PE, PEF
リール (REEL): ポリスチレン (PS) <リサイクル材含む>
POLYSTYRENE (PS) <RECYCLE MATERIAL CONTAINED>

6	21.4	17.4	3.7	9.5	53261-0371	3	
			2.45	8.25	53261-0271	2	
キャリアテープ幅 CARRIER TAPE WIDTH	D	C	B	A	EMBOSS TAPE PACKAGE オーダー番号 ORDER NO.	種数 CKT.	
MODEL NO.	53261-**-71		DIMENSION STYLE MM ONLY		SCALE ---	DESIGN UNITS METRIC	THIRD ANGLE PROJECTION
REVISED	2010/02/17		DRAWN BY H. SHIMABUKUR		DATE '04/02/06		TITLE 1.25 W/B CONN WAFER ASSY FOR SMT EMBSTP PKG
EC NO.	D		CHECKED BY K. TOJO		DATE '04/02/06		
DESCRIPTION	10 UNDER ± 0.2		APPROVED BY NUKITA		DATE 2010/02/18		MATERIAL NO.
REV	10 OVER 30 UNDER ± 0.25		MATERIAL NO.		DOCUMENT NO.		SHEET NO.
	30 OVER ± 0.3		SEE TABLE & SHEET 2,3		SD-53261-023		1 OF 3
	ANGULAR ± 3 °		THIS DRAWING CONTAINS INFORMATION THAT IS PROPRIETARY TO MOLEX INCORPORATED AND SHOULD NOT BE USED WITHOUT WRITTEN PERMISSION				
	DRAFT WHERE APPLICABLE MUST REMAIN WITHIN DIMENSIONS						

10 9 8 7 6 5 4 3 2 1

F

E

D

C

B

A

F

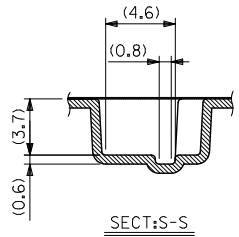
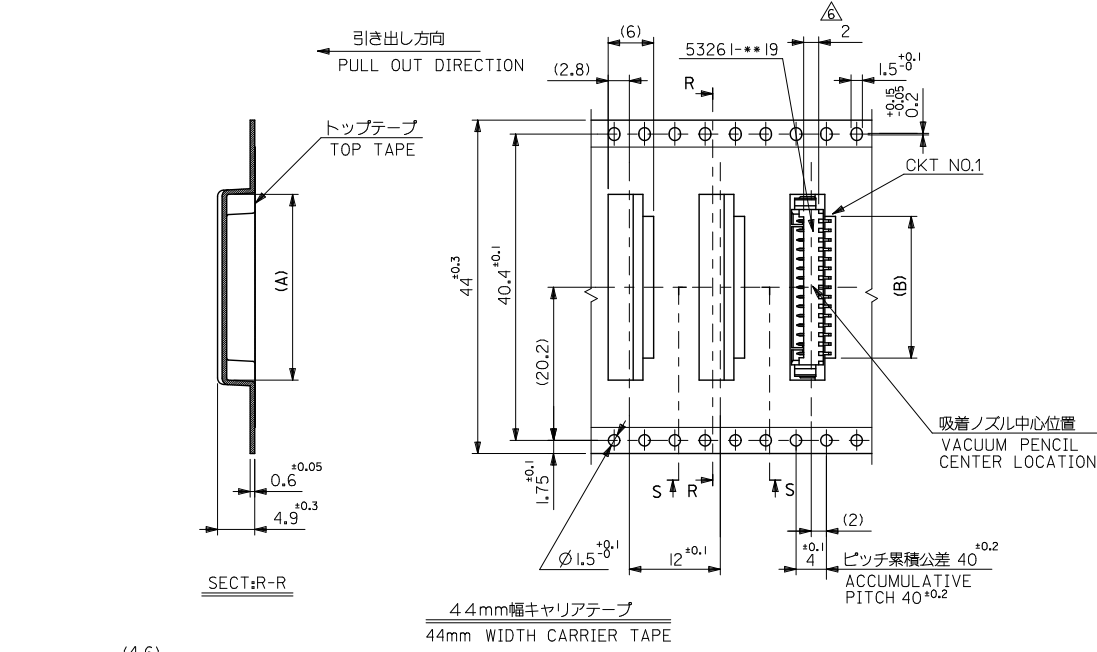
E

D

C

B

A



MODEL NO. 53261-**71		44	49.4	45.4	18.7	24.5	53261-I-1571	15
DESCRIPTION		キャリアテープ幅 CARRIER TAPE WIDTH		D	C	B	A	53261-I-1471
GENERAL TOLERANCES (UNLESS SPECIFIED)		DIMENSION STYLE MM ONLY		SCALE ---		DESIGN UNITS METRIC		EMBOSSED TAPE PACKAGE 種数 CTKT.
10 UNDER ±0.2		DRAWN BY DATE H. SHIMABUKUR '04/02/06		TITLE 1.25 W/B CONN WAFER ASSY FOR SMT EMBSTP PKG		THIRD ANGLE PROJECTION		オーダー番号 ORDER NO.
10 OVER 30 UNDER ±0.25		CHECKED BY DATE K. TOJO '04/02/06		APPROVED BY DATE NUKITA 2010/02/18		MATERIAL NO. SEE TABLE & SHEET 12		MOLEX INCORPORATED
30 OVER ±0.3		ANGULAR ±3 °		DOCUMENT NO. SD-53261-023		SHEET NO. 3 OF 3		EN-02JA(021)
DRAFT WHERE APPLICABLE MUST REMAIN WITHIN DIMENSIONS		SIZE A3		THIS DRAWING CONTAINS INFORMATION THAT IS PROPRIETARY TO MOLEX INCORPORATED AND SHOULD NOT BE USED WITHOUT WRITTEN PERMISSION				

9 8 7 6 5 4 3 2 1

