

Excellent Integrated System Limited

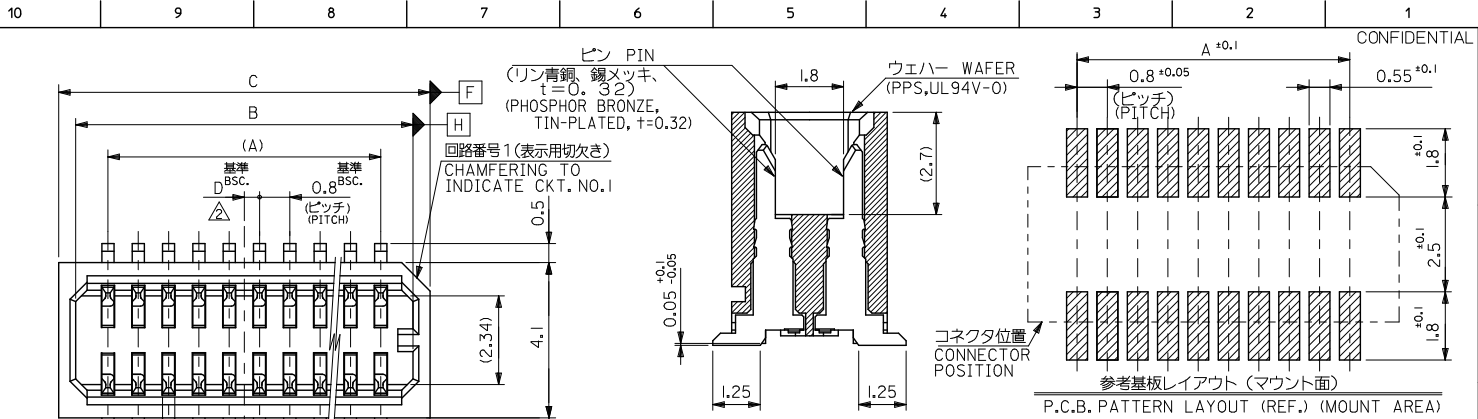
Stocking Distributor

Click to view price, real time Inventory, Delivery & Lifecycle Information:

[Molex Connector Corporation](#)
[0533532071](#)

For any questions, you can email us directly:

sales@integrated-circuit.com



- 注記 NOTES
1. 嵌合相手: 52465, 52588 シリーズ MATES WITH 52465, 52588 SERIES
 2. ウエハーの ϕ から隣接するピンとの ϕ の位置を示す。 SHOW POSITION FROM ϕ OF WAFER TO ϕ OF ADJACENT PINS.
 3. ELV 及び RoHS 適合品。 ELV AND RoHS COMPLIANT.
 4. テール平直度: 0.1MAX. COPLANARITY: 0.1MAXIMUM

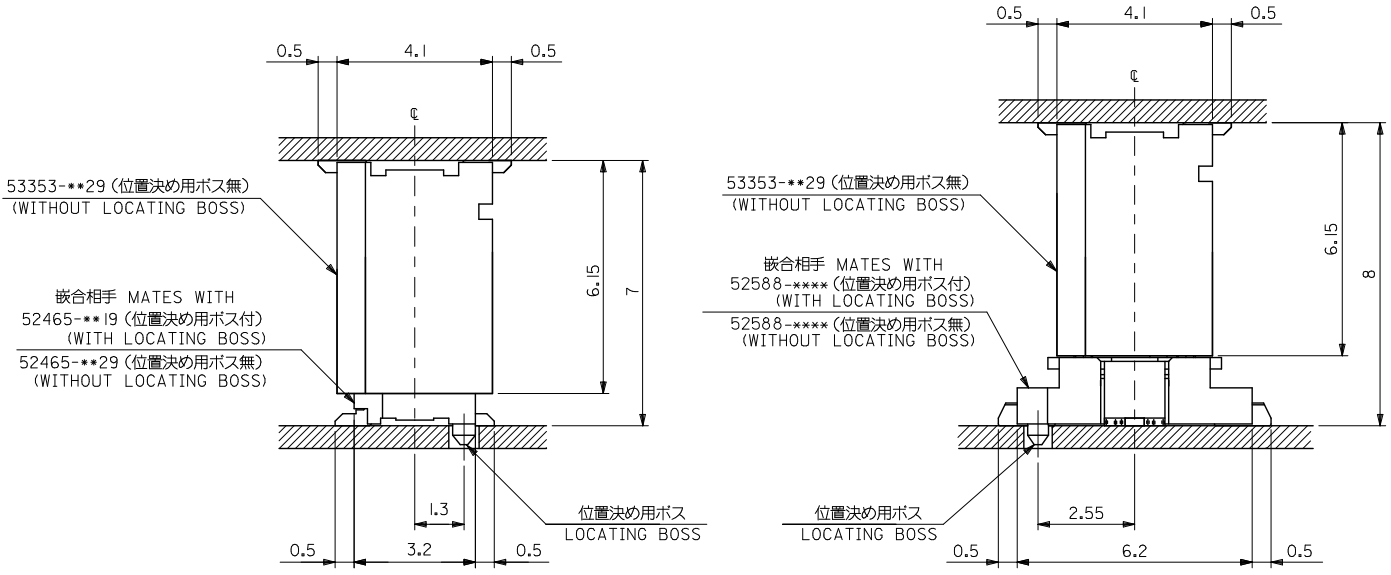
0.4	17.8	16.9	15.2		53353-4071	40
0.4	16.2	15.3	13.6		53353-3671	36
0.8	13.8	12.9	11.2	53353-3029	53353-3071	30
0.4	13.0	12.1	10.4		53353-2871	28
0.8	10.6	9.7	8.0		53353-2271	22
0.4	9.8	8.9	7.2		53353-2071	20
0.8	9.0	8.1	6.4		53353-1871	18
0.4	8.2	7.3	5.6		53353-1671	16
0.8	7.4	6.5	4.8		53353-1471	14
0.4	6.6	5.7	4.0		53353-1271	12
0.8	5.8	4.9	3.2		53353-1071	10
D	C	B	(A)	TRAY PACKAGE	EMBOSSED PACKAGE	極数
				オーダー番号	ORDER NO.	CIRCUIT
				CONNECTOR SERIES No. :	53353-**29	

REVISED EC NO. J2011-0630 DRAWN BY Y. WADA CHECKED BY M. SASAO APPROVED BY M. SASAO DATE 2010/11/01 DATE 2010/11/01 DATE 2010/11/01	DESCRIPTION	GENERAL TOLERANCES (UNLESS SPECIFIED)	DIMENSION STYLE	SCALE	DESIGN UNITS	THIRD ANGLE PROJECTION
		10 UNDER ± 0.2	MM ONLY	H	METRIC	
		10 OVER 30 UNDER ± 0.25				
		30 OVER ± 0.3				
		ANGULAR $\pm 3^\circ$				
		DRAFT WHERE APPLICABLE MUST REMAIN WITHIN DIMENSIONS	SEE CHART			
			THIS DRAWING CONTAINS INFORMATION THAT IS PROPRIETARY TO MOLEX INCORPORATED AND SHOULD NOT BE USED WITHOUT WRITTEN PERMISSION			

TITLE: 0.8 B/B CONN. WAFER ASSY ST. SMT(WITHOUT BOSS)
MOLEX INCORPORATED
SD-53353-003
SHEET NO. 1 OF 2

10 9 8 7 6 5 4 3 2 1

CONFIDENTIAL



嵌合状態図 (参考)
MATED DRAWING (REF.)

REVISIONS REV. NO. DATE BY DESCRIPTION B 2010/11/01 DRANKIYODA CHIKASASAO 2010/11/01 A 2010/11/01 APPR:MSASAO 2010/11/01	GENERAL TOLERANCES (UNLESS SPECIFIED)		DIMENSION STYLE MM ONLY		CONNECTOR SERIES No. : 53353-***29	
	10 UNDER	± ---	DRAWN BY	DATE	SCALE	DESIGN UNITS
	10 OVER 30 UNDER	± ---	Y. WADA	2004/3/4	1:1	METRIC
	30 OVER	± ---	CHECKED BY	DATE	THIRD ANGLE PROJECTION	
	ANGULAR ± --- °		M. SASAO	2004/3/4	TITLE 0.8 B/B CONN. WAFER ASSY ST. SMT(WITHOUT BOSS)	
	DRAFT WHERE APPLICABLE MUST REMAIN WITHIN DIMENSIONS		APPROVED BY	DATE	MOLEX INCORPORATED	
			M. SASAO	2004/3/4	DOCUMENT NO. SD-53353-003	
			SEE CHART		SHEET NO. 2 OF 2	
			THIS DRAWING CONTAINS INFORMATION THAT IS PROPRIETARY TO MOLEX INCORPORATED AND SHOULD NOT BE USED WITHOUT WRITTEN PERMISSION			

10 9 8 7 6 5 4 3 2 1

F

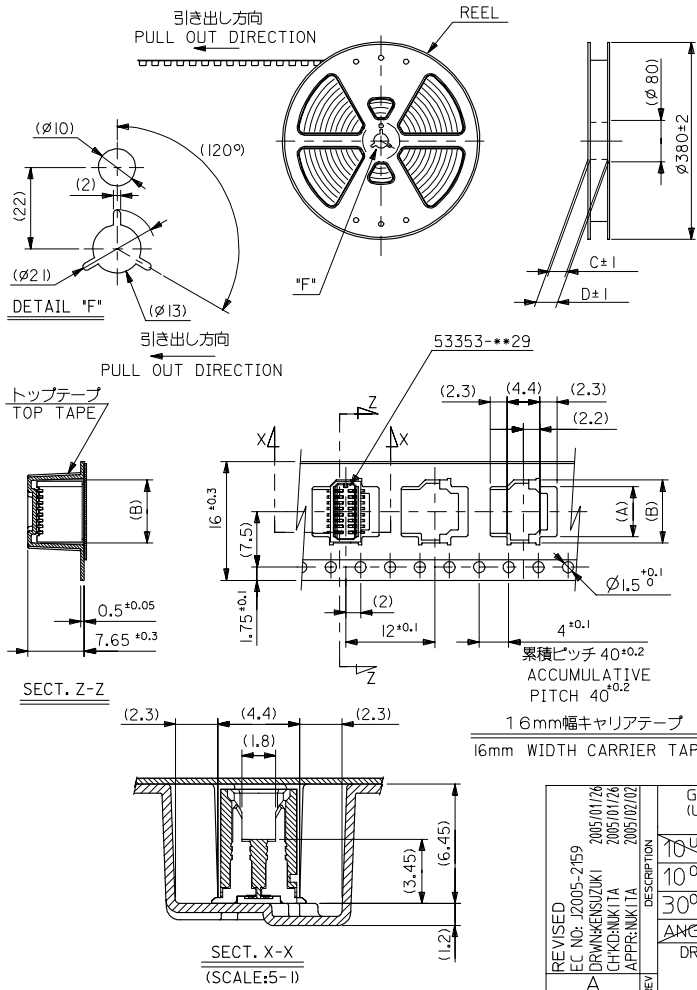
E

D

C

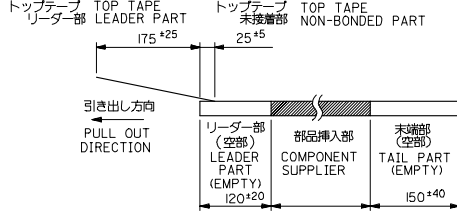
B

A

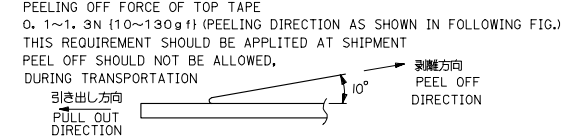


注記 NOTES

1. 梱包数量: 1000個/リール NUMBER OF CONNECTORS:1000PCS/REEL
2. リードテープ長さ LEAD TAPE LENGTH



3. トップテープの剥離強度: (剥離方向は下図参照)
0.1~1.3N (10~130gf) 尚、本規格値は、出荷時に適用。
(但し、輸送時に剥離が発生しない事。)



4. 材料 MATERIAL
キャリアテープ: ポリプロピレン (PP) CARRIER TAPE: POLYPROPYLENE
トップテープ: PET, PE, PEF TOP TAPE: PET, PE, PEF
リール: ポリスチレン (PS) REEL: POLYSTYRENE (PS)
<リサイクル材を含む> <RECYCLE MATERIAL CONTAIND>
5. 本製品は53353-***91の鉛フリー品である。
THIS PRODUCT IS LEAD FREE OF 53353-***91.

16	21.4	17.4	8.5	6.7	53353-1671	16
			7.7	5.9	53353-1471	14
			6.9	5.1	53353-1271	12
			6.1	4.3	53353-1071	10
キャリアテープ幅 CARRIER TAPE WIDTH	D	C	(B)	(A)	MATERIAL NO.	極数 CIRCUIT

REVISED EC NO: J2005-2159 DRW: KENSUJIKI 2005/01/26 CHK: DANIKITA 2005/01/26 APP: NIKITA 2005/02/02	DESCRIPTION GENERAL TOLERANCES (UNLESS SPECIFIED)	10 UNDER ±0.2	DIMENSION STYLE MM ONLY	SCALE ---	DESIGN UNITS METRIC	MODEL NO. 53353-***71
		10 OVER ±0.25		DRAWN BY YWADA DATE 2004/03/04	TITLE 0.8 BTB CONN WAFER ASSY ST SMT WITHOUT BOSS EMBTP PKG -LEAD FREE-	
		30 OVER ±0.3		CHECKED BY MSASAO DATE 2004/03/04	THIRD ANGLE PROJECTION	
		ANGULAR ±3		APPROVED BY MSASAO DATE 2004/03/04	MATERIAL NO. SEE CHART	
REVISION	DRAFT WHERE APPLICABLE MUST REMAIN WITHIN DIMENSIONS	SIZE A3	DOCUMENT NO. SD-53353-004	MOLEX INCORPORATED		SHEET NO. 1 OF 2

