

Excellent Integrated System Limited

Stocking Distributor

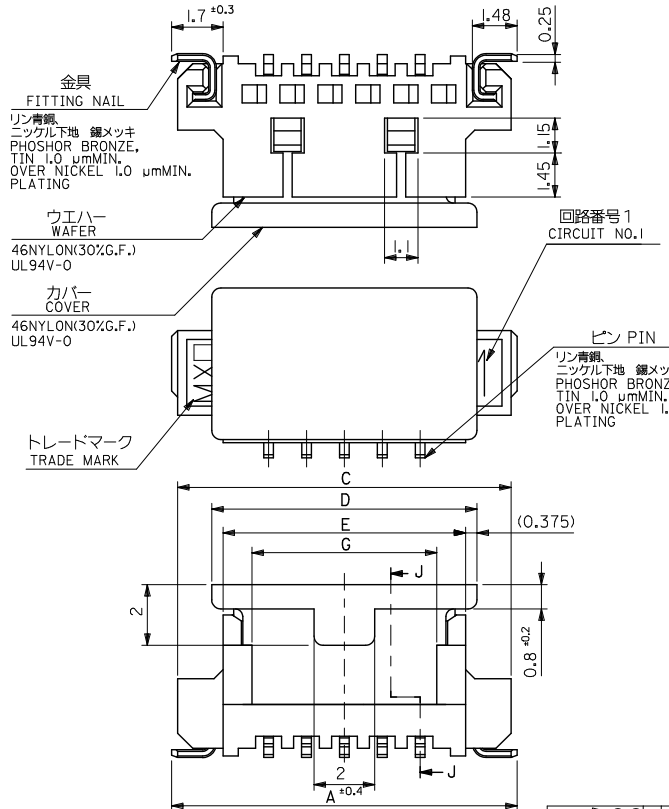
Click to view price, real time Inventory, Delivery & Lifecycle Information:

[Molex Connector Corporation](#)
[0533980367](#)

For any questions, you can email us directly:

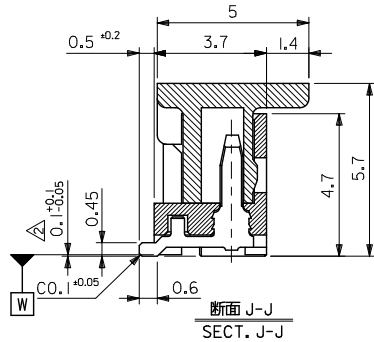
sales@integrated-circuit.com

10 9 8 7 6 5 4 3 2 1



NOTES

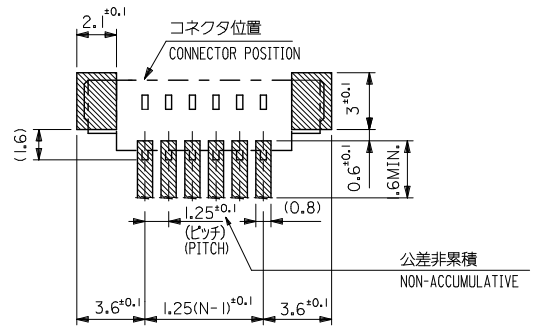
- 嵌合相手: 51021 シリーズ MATE WITH: 51021 SERIES
- 水平面上においての、ウエハー底面 **W** とソルダーテール及びフィッティングネイル底面とのズレ量を示す。
MISALIGNMENT OF SOLDER TAIL & FITTING NAIL FROM **W**
- 偶数種のみ適用。APPLY EVEN CIRCUIT PRODUCTS.
- 本製品は 53398-***20 の鉛フリー品である。
THIS PRODUCT IS LEAD FREE OF 53398-***20.



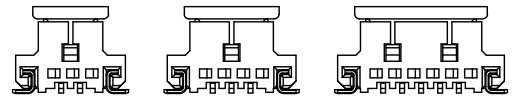
| | | | | | | | | |
|-------|-------|-------|-------|-------|-------|-------|--------------|----------|
| 17.35 | 18.05 | 19.25 | 20 | 22.25 | 16.25 | 22.3 | 53398-1429 | 14 |
| 14.85 | 15.55 | 16.75 | 17.5 | 19.75 | 13.75 | 20.15 | 53398-1229 | 12 |
| 9.85 | 10.55 | 11.75 | 12.5 | 14.75 | 8.75 | 15.15 | 53398-0829 | 8 |
| 8.6 | 9.3 | 10.5 | 11.25 | 13.5 | 7.5 | 13.9 | 53398-0729 | 7 |
| 7.35 | 8.05 | 9.25 | 10 | 12.25 | 6.25 | 12.65 | 53398-0629 | 6 |
| 6.1 | 6.8 | 8 | 8.75 | 11 | 5 | 11.4 | 53398-0529 | 5 |
| 4.85 | 5.55 | 6.75 | 7.5 | 9.75 | 3.75 | 10.15 | 53398-0429 | 4 |
| 3.6 | 4.3 | 5.5 | 6.25 | 8.5 | 2.5 | 8.9 | 53398-0329 | 3 |
| 2.35 | 3.05 | 4.25 | 5 | 7.25 | 1.25 | 7.65 | 53398-0229 | 2 |
| G | F | E | D | C | B | A | MATERIAL NO. | CIRCUITS |

| | | | | | | | | |
|--|--|-------|--------------|----------------------------|--|---|------------------------|--------------------------|
| REVISED EC NO. J2016-1122 DRAWING#E31 CHKD:SAKIYAMA APPR:IKANEKO 2016/04/27 2016/05/06 2016/05/06 | GENERAL TOLERANCES (UNLESS SPECIFIED) | | | DIMENSION STYLE MM ONLY | | SCALE 8:1 | DESIGN UNITS METRIC | MODEL NO. 53398-***29 |
| | 0.25 | UNDER | ±0.03 | DRAWN BY Y.SAKIYAMA | DATE 2004/02/12 | TITLE 1.25 W/B CONN. WAFER ASSY FOR SMT WITH COVER -LEAD FREE- | | |
| | 0.25 | OVER | ±0.05 | CHECKED BY M.SASAO | DATE 2004/02/12 | THIRD ANGLE PROJECTION | | |
| | 0.5 | OVER | ±0.1 | APPROVED BY M.SASAO | DATE 2004/02/12 | DOCUMENT NO. SD-53398-034 | | |
| ANGULAR ±3° | | | MATERIAL NO. | | SHEET NO. 1 OF 2 | | | |
| DRAFT WHERE APPLICABLE MUST REMAIN WITHIN DIMENSIONS | | | | SIZE A3 | THIS DRAWING CONTAINS INFORMATION THAT IS PROPRIETARY TO MOLEX ELECTRONIC TECHNOLOGIES, LLC AND SHOULD NOT BE USED WITHOUT WRITTEN PERMISSION | | | |

9 8 7 6 5 4 3 2 1

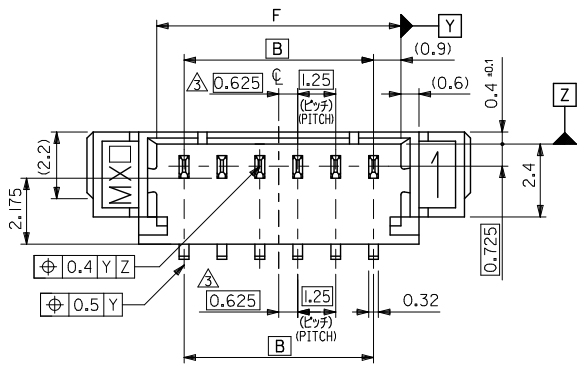


参考基板レイアウト
RECOMMENDED P.C. BOARD PATTERN DIM.(REF.)



2種 2 CKT. 3種 3 CKT. 4種以上 OVER 4 CKT.

ロック形状図
LOCK CONFIGURATION

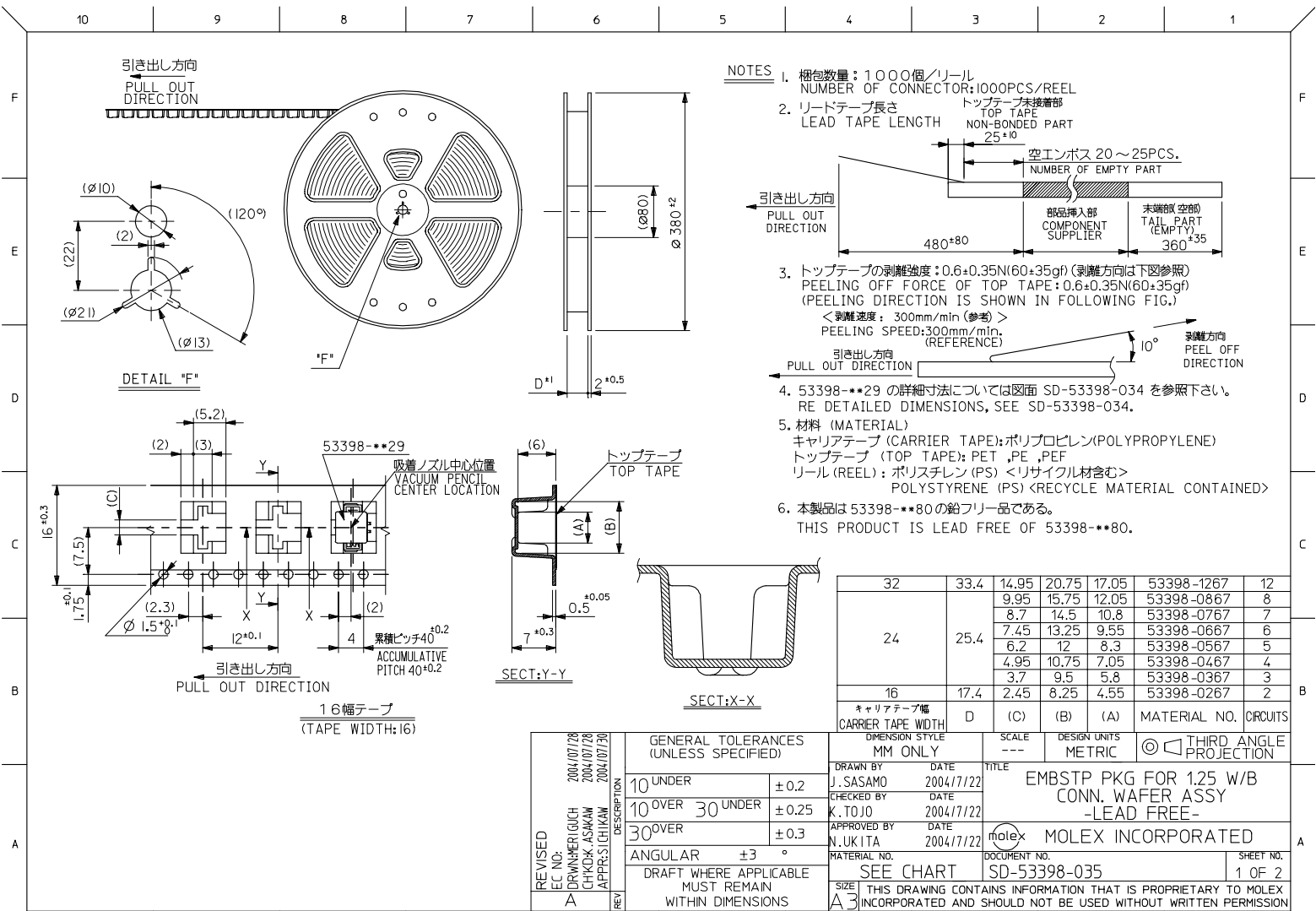


カバーなしの場合 (53398-***19)
IN CASE OF WITHOUT COVER

NOTES

- △ ロック窓は、2、3種は1ヶ所、4種以上は2ヶ所とする。
LOCKING WINDOW : ONE PLACE FOR 2&3 CKTS.
TWO PLACES FOR MORE THAN 4 CKTS.
- 6. ソルダータール及び金具の平坦度は0.1以下。
SOLDER TAIL & FITTING NAIL COPLANARITY TO BE 0.1 MAX.
- 7. ELV及びRoHS適合品
ELV AND RoHS COMPLIANT.

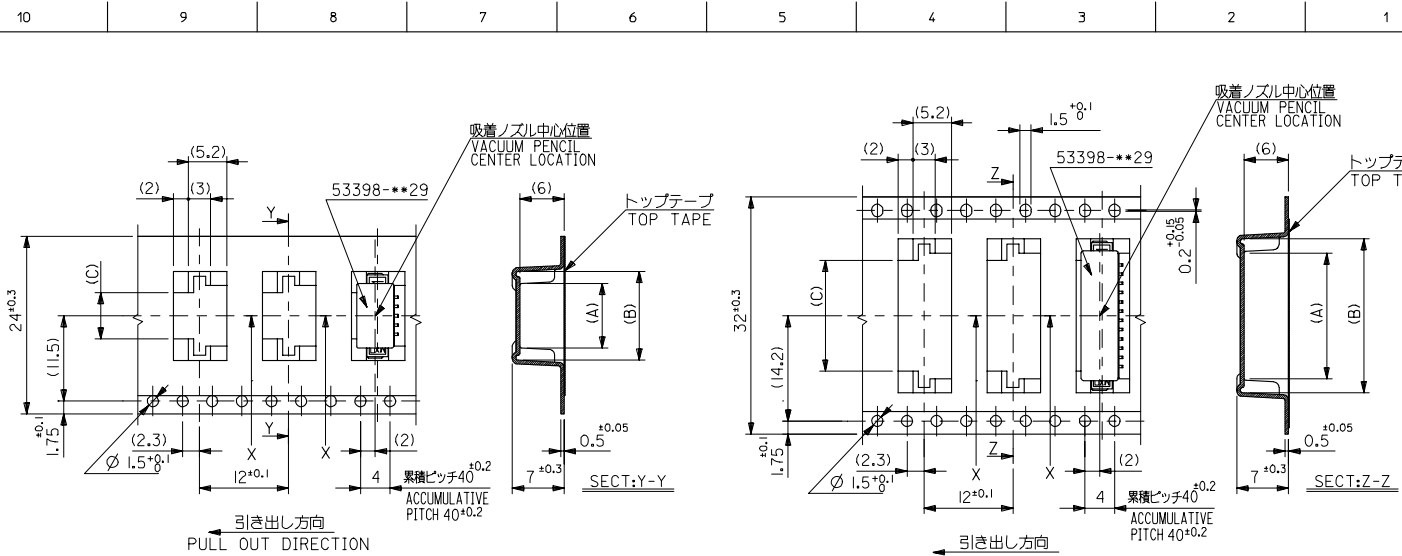
| | | | | | | | | | |
|--|--|---------------------------------------|---------------------|---|--------------|--|------------------|------------------------|-------------|
| REVISED EC NO. J2016-1122 DRAWING#31 CHKD:SAKIYAMA APPR:IKANEKO REV A | 2016/04/27 2016/05/06 2016/05/06 | GENERAL TOLERANCES (UNLESS SPECIFIED) | | DIMENSION STYLE | | SCALE | DESIGN UNITS | MODEL NO. | 53398-***29 |
| | 0.25 UNDER | UNDER | ±0.03 | MM ONLY | | 8:1 | METRIC | THIRD ANGLE PROJECTION | |
| | 0.25 OVER | 0.5 UNDER | ±0.05 | DRAWN BY DATE | | TITLE | | | |
| | 0.5 OVER | 1.0 UNDER | ±0.1 | Y. SAKIYAMA 2004/02/12 | | 1.25 W/B CONN. WAFER ASSY FOR SMT WITH COVER -LEAD FREE- | | | |
| | 1.0 OVER | 10 UNDER | ±0.2 | CHECKED BY DATE | | | | | |
| 10 OVER | 30 UNDER | ±0.25 | M. SASAO 2004/02/12 | | | | | | |
| 30 OVER | | ±0.3 | APPROVED BY DATE | | DOCUMENT NO. | | SD-53398-034 | | |
| ANGULAR | ±3 ° | | MATERIAL NO. | | SEE CHART | | SHEET NO. 2 OF 2 | | |
| DRAFT WHERE APPLICABLE MUST REMAIN WITHIN DIMENSIONS | | | SIZE | THIS DRAWING CONTAINS INFORMATION THAT IS PROPRIETARY TO MOLEX ELECTRONIC TECHNOLOGIES, LLC AND SHOULD NOT BE USED WITHOUT WRITTEN PERMISSION | | | | | |



- NOTES**
1. 梱包数量: 1000個/リール
NUMBER OF CONNECTOR: 1000PCS/REEL
 2. リードテープ長さ
LEAD TAPE LENGTH
トップテープ未接合部
TOP TAPE NON-BONDED PART
25⁺¹⁰
空インボス 20~25PCS.
NUMBER OF EMPTY PART
部品挿入部
COMPONENT SUPPLIER
末端部(空部)
TAIL PART (EMPTY)
360⁺³⁵
 3. トップテープの剥離強度: 0.6±0.35N(60±35gf) (剥離方向は下図参照)
PEELING OFF FORCE OF TOP TAPE: 0.6±0.35N(60±35gf)
(PEELING DIRECTION IS SHOWN IN FOLLOWING FIG.)
<剥離速度: 300mm/min (参考)>
PEELING SPEED: 300mm/min (REFERENCE)
10°
剥離方向
PEEL OFF DIRECTION
 4. 53398-**-29の詳細寸法については図面 SD-53398-034を参照下さい。
RE DETAILED DIMENSIONS, SEE SD-53398-034.
 5. 材料 (MATERIAL)
キャリアテープ (CARRIER TAPE): ポリプロピレン (POLYPROPYLENE)
トップテープ (TOP TAPE): PET, PE, PEF
リール (REEL): ポリスチレン (PS) <リサイクル材含む>
POLYSTYRENE (PS) <RECYCLE MATERIAL CONTAINED>
 6. 本製品は53398-**-80の鉛フリー品である。
THIS PRODUCT IS LEAD FREE OF 53398-**-80.

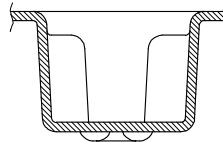
| | | | | | | |
|----|------|-------|-------|-------|------------|----|
| 32 | 33.4 | 14.95 | 20.75 | 17.05 | 53398-1267 | 12 |
| 24 | 25.4 | 9.95 | 15.75 | 12.05 | 53398-0867 | 8 |
| | | 8.7 | 14.5 | 10.8 | 53398-0767 | 7 |
| | | 7.45 | 13.25 | 9.55 | 53398-0667 | 6 |
| | | 6.2 | 12 | 8.3 | 53398-0567 | 5 |
| | | 4.95 | 10.75 | 7.05 | 53398-0467 | 4 |
| 16 | 17.4 | 3.7 | 9.5 | 5.8 | 53398-0367 | 3 |
| | | 2.45 | 8.25 | 4.55 | 53398-0267 | 2 |

| | | | | | | | | |
|--|-------------|---------------------------------------|-------|-----------------------------------|-------------------|---|---------------------------|------------------------------|
| REVISED EC NO: DRAWN BY: CHKD BY: APPROV: DATE: 2004/07/28 2004/07/28 2004/07/30 | DESCRIPTION | GENERAL TOLERANCES (UNLESS SPECIFIED) | | DRAWN BY J.SASAMO 2004/7/22 | DATE 2004/7/22 | TITLE EMBSTP PKG FOR 1.25 W/B CONN. WAFER ASSY -LEAD FREE- | | |
| | | 10 UNDER | ±0.2 | | | | MATERIAL NO. SEE CHART | DOCUMENT NO. SD-53398-035 |
| | | 10 OVER 30 UNDER | ±0.25 | | | | | |
| | | 30 OVER | ±0.3 | | | | | |
| ANGULAR | ±3 ° | | | | | | | |
| DRAFT WHERE APPLICABLE MUST REMAIN WITHIN DIMENSIONS | | | | | | SHEET NO. 1 OF 2 | | |



24幅テープ
(TAPE WIDTH:24)

32幅テープ
(TAPE WIDTH:32)



SECT:X-X

| | | | | | | | | |
|--|---|--|---------------------------|----------------------------|--|---|---------------------------|---------------------|
| REVISED EC NO: A | DESCRIPTION 2004/07/28 DR:WHERIGUCH CHK:K. ASAKAWA APP:PS:CHIKAWA 2004/07/30 | GENERAL TOLERANCES (UNLESS SPECIFIED) | | DIMENSION STYLE MM ONLY | SCALE --- | DESIGN UNITS METRIC | THIRD ANGLE PROJECTION | |
| | | 10 UNDER | ± 0.2 | DRAWN BY J. SASAMO | DATE 2004/7/22 | TITLE EMBSTP PKG FOR 1.25 W/B CONN. WAFER ASSY -LEAD FREE- | | |
| | | 10 OVER 30 UNDER | ± 0.25 | CHECKED BY K. TOJO | DATE 2004/7/22 | Molex MOLEX INCORPORATED | | SHEET NO. 2 OF 2 |
| | | 30 OVER | ± 0.3 | APPROVED BY N. UKITA | DATE 2004/7/22 | DOCUMENT NO. SD-53398-035 | | |
| ANGULAR | | ± 3 ° | MATERIAL NO. SEE CHART | | THIS DRAWING CONTAINS INFORMATION THAT IS PROPRIETARY TO MOLEX INCORPORATED AND SHOULD NOT BE USED WITHOUT WRITTEN PERMISSION | | | |
| DRAFT WHERE APPLICABLE MUST REMAIN WITHIN DIMENSIONS | | | | | | | | |