

## Excellent Integrated System Limited

Stocking Distributor

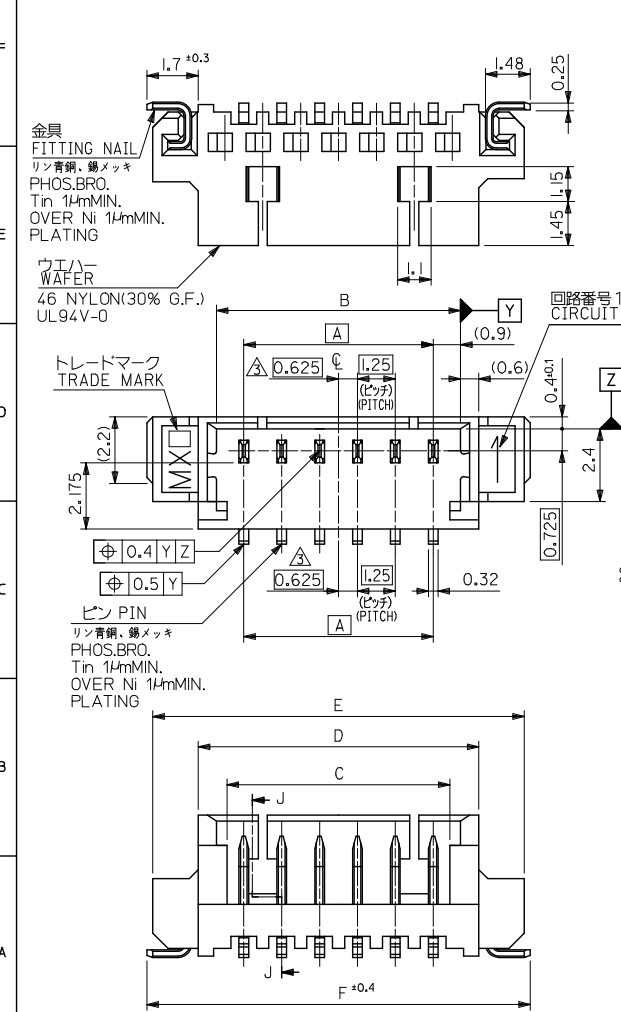
Click to view price, real time Inventory, Delivery & Lifecycle Information:

[Molex Connector Corporation](#)  
[0533981276](#)

For any questions, you can email us directly:

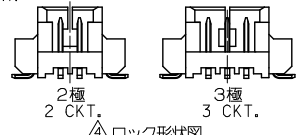
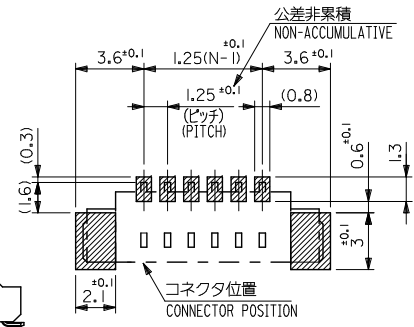
[sales@integrated-circuit.com](mailto:sales@integrated-circuit.com)

10 9 8 7 6 5 4 3 2 1



**注記 NOTES**

1. 嵌合相手: 51021シリーズ MATE WITH: 51021 SERIES
2. 水平面上においての、ウエハー底面 **W** とソルダーテール及びフィッティングネイル底面とのズレ量を示す。  
MISALIGNMENT OF SOLDER TAIL & FITTING NAIL FROM **W**
3. 偶数極にのみ適用。APPLY EVEN CIRCUIT PRODUCTS.
4. ロック窓は、2、3極は1ヶ所、4極以上は2ヶ所とする。  
LOCKING WINDOW: ONE PLACE FOR 2&3 CKTS. TWO PLACES FOR MORE THAN 4 CKTS.
5. ソルダーテール及び金具の平坦度は0.1以下。  
SOLDER TAIL & FITTING NAIL COPLANARITY TO BE 0.1 MAX.
6. ELV及びRoHS適合品  
ELV AND ROHS COMPLIANT.



**ロック形状図 LOCK CONFIGURATION**

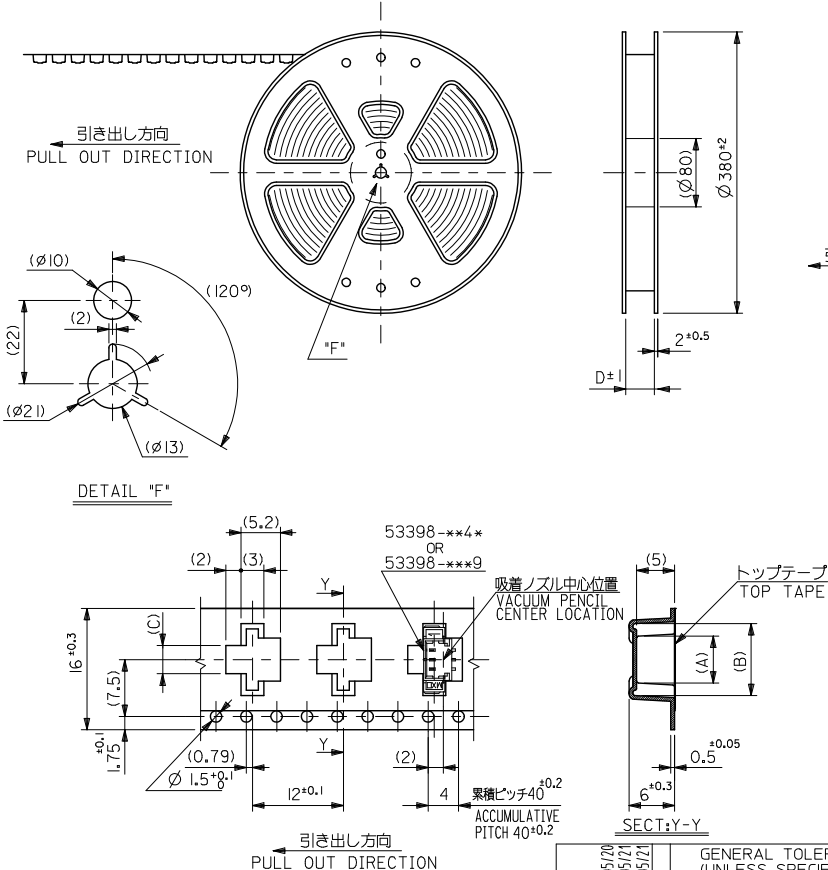
23.9	22.65	20.5	18.6	19.3	17.5	53398-154*	53398-*159	15
22.65	22.25	19.25	17.35	18.05	16.25	-144*	-*149	14
21.4	21	18	16.1	16.8	15	-134*	-*139	13
20.15	19.75	16.75	14.85	15.55	13.75	-124*	-*129	12
18.9	18.5	15.5	13.6	14.3	12.5	-114*	-*119	11
17.65	17.25	14.25	12.35	13.05	11.25	-104*	-*109	10
16.4	16	13	11.1	11.8	10	-094*	-*099	9
15.15	14.75	11.75	9.85	10.55	8.75	-084*	-*089	8
13.9	13.5	10.5	8.6	9.3	7.5	-074*	-*079	7
12.65	12.25	9.25	7.35	8.05	6.25	-064*	-*069	6
11.4	11	8	6.1	6.8	5	-054*	-*059	5
10.15	9.75	6.75	4.85	5.55	3.75	-044*	-*049	4
8.9	8.5	5.5	3.6	4.3	2.5	-034*	-*039	3
7.65	7.25	4.25	2.35	3.05	1.25	53398-024*	53398-*029	2

F	E	D	C	B	A
MATERIAL NO. 53398-***4*		MATERIAL NO. 53398-***9		種数 NO. OF CKTS.	
3: 黄 YELLOW	4: 青(紫) BLUE(PURPLE)	8: 黒 BLACK	9: 赤 RED		

REVISED EC NO. J2016-1122 DRAWING#E31 CHIKO-SAKIYAMA APPR:TKANEKO 2016/04/17 2016/05/06 2016/05/06	GENERAL TOLERANCES (UNLESS SPECIFIED)		DIMENSION STYLE		SCALE	DESIGN UNITS	TITLE 1.25 W/B CONN. WAFER ASSY FOR SMT ST. -LEAD FREE- <b>molex</b> DOCUMENT NO. SD-53398-038 SHEET NO. 1 OF 1	
	0.25 UNDER	UNDER	±0.03	MM ONLY	8:1	METRIC		
	0.25 OVER	0.5 UNDER	±0.05	DRAWN BY	DATE	THIRD ANGLE PROJECTION		
	0.5 OVER	1.0 UNDER	±0.1	M.UMEDA	2005/02/17			
	1.0 OVER	10 UNDER	±0.2	CHECKED BY	DATE			
10 OVER	30 UNDER	±0.25	K.TOYODA	2005/02/17				
30 OVER		±0.3	APPROVED BY	DATE				
ANGULAR	±3°		N.UKITA	2005/02/17				
DRAFT WHERE APPLICABLE MUST REMAIN WITHIN DIMENSIONS			SIZE	SEE CHART				
			A3	THIS DRAWING CONTAINS INFORMATION THAT IS PROPRIETARY TO MOLEX ELECTRONIC TECHNOLOGIES, LLC AND SHOULD NOT BE USED WITHOUT WRITTEN PERMISSION				

9 8 7 6 5 4 3 2 1

10 9 8 7 6 5 4 3 2 1



**NOTES**

1. 梱包数量: 1000個/リール  
NUMBER OF CONNECTOR: 1000PCS/REEL
2. リードテープ長さ  
LEAD TAPE LENGTH
3. トップテープの剥離強度:  $0.6 \pm 0.35N(60 \pm 35gf)$  (剥離方向は下図参照)  
PEELING OFF FORCE OF TOP TAPE:  $0.6 \pm 0.35N(60 \pm 35gf)$  (PEELING DIRECTION IS SHOWN IN FOLLOWING FIG.)  
 <剥離速度: 300mm/mIn (参考)>  
 PEELING SPEED: 300mm/mIn (REFERENCE)
4. 製品詳細寸法は製品単体図面を参照して下さい。  
For detail of connector dimensions, please see the drawing of connector itself (not packaged).
5. 材料 (MATERIAL)  
 キャリアテープ(CARRIER TAPE): ポリプロピレン(POLYPROPYLENE)  
 トップテープ (TOP TAPE): PET ,PE ,PEF  
 リール (REEL): ポリスチレン (P S) <リサイクル材含む>  
 POLYSTYRENE(PS) <RECYCLE MATERIAL CONTAINED>
6. 本製品は乾燥剤入り、ハイバリア梱包仕様である。  
THIS PRODUCT IS HIGH BARRIER PACKAGE WITH DESICCANT.

16	17.4	3.7 2.45	9.5 8.25	5.8 4.55	53398-035*	53398-037*	3
					53398-025*	53398-027*	2
					MATERIAL NO.	MATERIAL NO.	
					MODEL NO. 53398-45*	MODEL NO. 53398-47*	
					3: 黄 YELLOW	6: 黒 BLACK	種数 CKT.
					4: 紫 PURPLE	7: 赤 RED	
					5: 緑 GREEN		

REVISED EC NO. J2009-2060 DRAWN: KON CHKD: MATSUMOTO APPR: UKITA REV	DESCRIPTION 2009/05/20 2009/05/21 2009/05/21	GENERAL TOLERANCES (UNLESS SPECIFIED)		DIMENSION STYLE	SCALE	DESIGN UNITS	THIRD ANGLE PROJECTION
		10 UNDER	± 0.2	MM ONLY	---	METRIC	
		10 OVER 30 UNDER	± 0.25				
		30 OVER	± 0.3				
		ANGULAR	± 3 °				
		DRAFT WHERE APPLICABLE MUST REMAIN WITHIN DIMENSIONS		SEE TABLE			
		SIZE	A3	THIS DRAWING CONTAINS INFORMATION THAT IS PROPRIETARY TO MOLEX INCORPORATED AND SHOULD NOT BE USED WITHOUT WRITTEN PERMISSION			

1.25 W/B CONN. WAFER  
ASSY EMBSTP PKG.  
-LEAD FREE-

MOLEX INCORPORATED

SD-53398-039

SHEET NO.  
1 OF 3

10 9 8 7 6 5 4 3 2 1

F

E

D

C

B

A

F

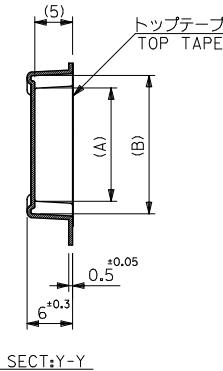
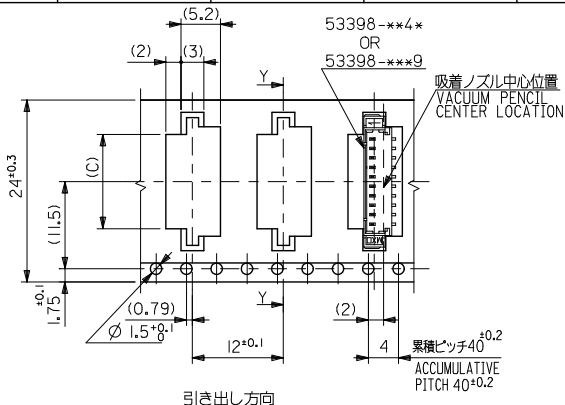
E

D

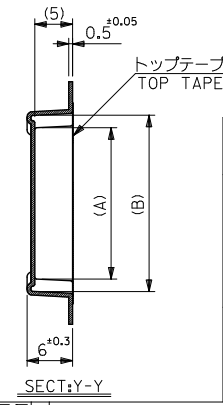
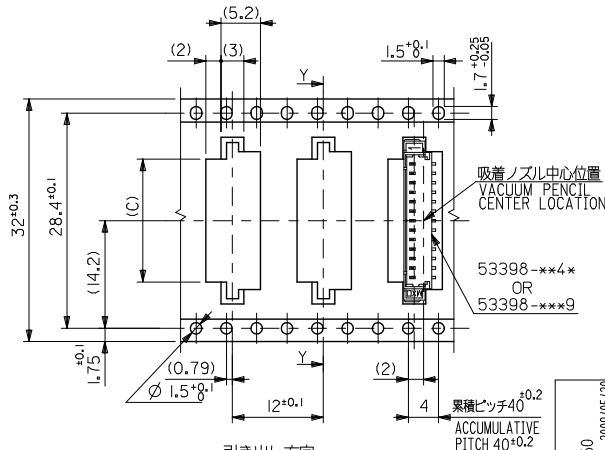
C

B

A



引き出し方向  
PULL OUT DIRECTION  
24幅テープ  
(TAPE WIDTH:24)



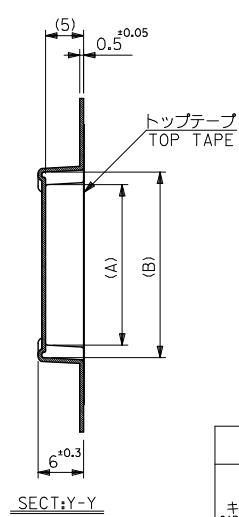
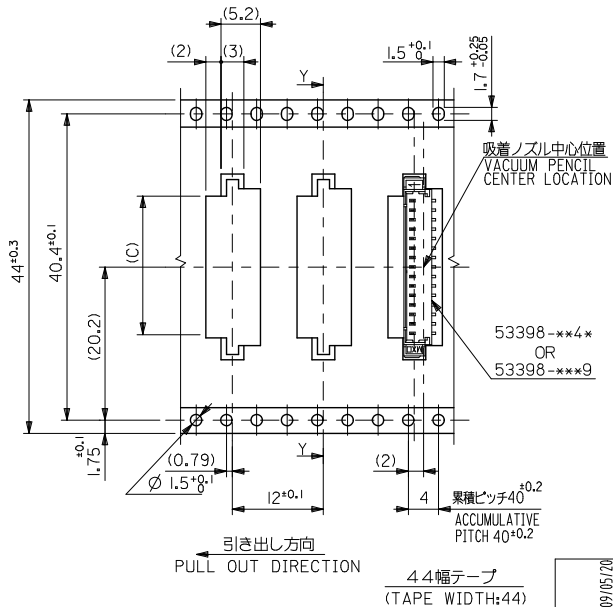
引き出し方向  
PULL OUT DIRECTION  
32幅テープ  
(TAPE WIDTH:32)

32	33.4	16.2	22	18.3	53398-135*	53398-137*	13
		14.95	20.75	17.05	-125*	-127*	12
24	25.4	13.7	19.5	15.8	-115*	-117*	11
		12.45	18.25	14.55	-105*	-107*	10
		11.2	17	13.3	-95*	-97*	9
		9.95	15.75	12.05	-85*	-87*	8
		8.7	14.5	10.8	-75*	-77*	7
		7.45	13.25	9.55	-65*	-67*	6
		6.2	12	8.3	-55*	-57*	5
4.95	10.75	7.05	53398-045*	53398-047*	4		

キャリアテープ幅 CARRIER TAPE WIDTH	D	(C)	(B)	(A)	MATERIAL NO.	MATERIAL NO.	種数 CKT.
					MODEL NO. 53398-***4*	MODEL NO. 53398-***9*	

REVISED EC NO. J2009-2060 DRAWN: KON CHIKUHMATSUMOTO APPROVAL: NUKITA 2009/05/20 2009/05/21 2009/05/21	GENERAL TOLERANCES (UNLESS SPECIFIED)		DIMENSION STYLE MM ONLY	SCALE ---	DESIGN UNITS METRIC	THIRD ANGLE PROJECTION
	10 UNDER	± 0.2	DRAWN BY M.UMEDA	DATE 2005/02/18	TITLE 1.25 W/B CONN. WAFER ASSY EMBSTP PKG. -LEAD FREE-	
	10 OVER 30 UNDER	± 0.25	CHECKED BY K.TOYODA	DATE 2005/02/18	MOLEX INCORPORATED	
	30 OVER	± 0.3	APPROVED BY N.NUKITA	DATE 2005/02/18	DOCUMENT NO. SD-53398-039	SHEET NO. 2 OF 3
ANGULAR ±3 °		DRAFT WHERE APPLICABLE MUST REMAIN WITHIN DIMENSIONS		SEE TABLE		
SIZE A3			THIS DRAWING CONTAINS INFORMATION THAT IS PROPRIETARY TO MOLEX INCORPORATED AND SHOULD NOT BE USED WITHOUT WRITTEN PERMISSION			

10 9 8 7 6 5 4 3 2 1



44	45.4	18.7	24.5	20.8	53398-155*	53398-157*	15
		17.45	23.25	19.55	53398-145*	53398-147*	14
キャリアテープ幅 CARRIER TAPE WIDTH	D	(C)	(B)	(A)	MATERIAL NO. MODEL NO. 53398-**5*	MATERIAL NO. MODEL NO. 53398-**7*	種数 CKT.
					3: 黄 YELLOW 4: 紫(紫) BLUE/PURPLE 6: 緑 GREEN	6: 黒 BLACK 7: 赤 RED	

REVISED EC NO. J2009-2060 DRAWN BY CHIKUHAMATSUMOTO APPROVED BY N. UKITA	DESCRIPTION	GENERAL TOLERANCES (UNLESS SPECIFIED)	DIMENSION STYLE MM ONLY	SCALE ---	DESIGN UNITS METRIC	THIRD ANGLE PROJECTION
	10 UNDER	± 0.2	DRAWN BY M. UMEDA	DATE 2005/02/18	TITLE 1.25 W/B CONN. WAFER ASSY EMBSTP PKG. -LEAD FREE-	
	10 OVER 30 UNDER	± 0.25	CHECKED BY K. TOYODA	DATE 2005/02/18	MOLEX INCORPORATED	
	30 OVER	± 0.3	APPROVED BY N. UKITA	DATE 2005/02/18	DOCUMENT NO. SD-53398-039	SHEET NO. 3 OF 3
	ANGULAR	± 3 °	SEE TABLE			
	DRAFT WHERE APPLICABLE MUST REMAIN WITHIN DIMENSIONS		THIS DRAWING CONTAINS INFORMATION THAT IS PROPRIETARY TO MOLEX INCORPORATED AND SHOULD NOT BE USED WITHOUT WRITTEN PERMISSION			