

Excellent Integrated System Limited

Stocking Distributor

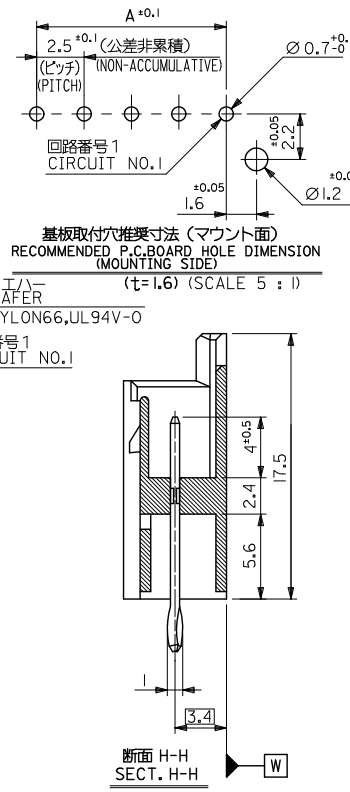
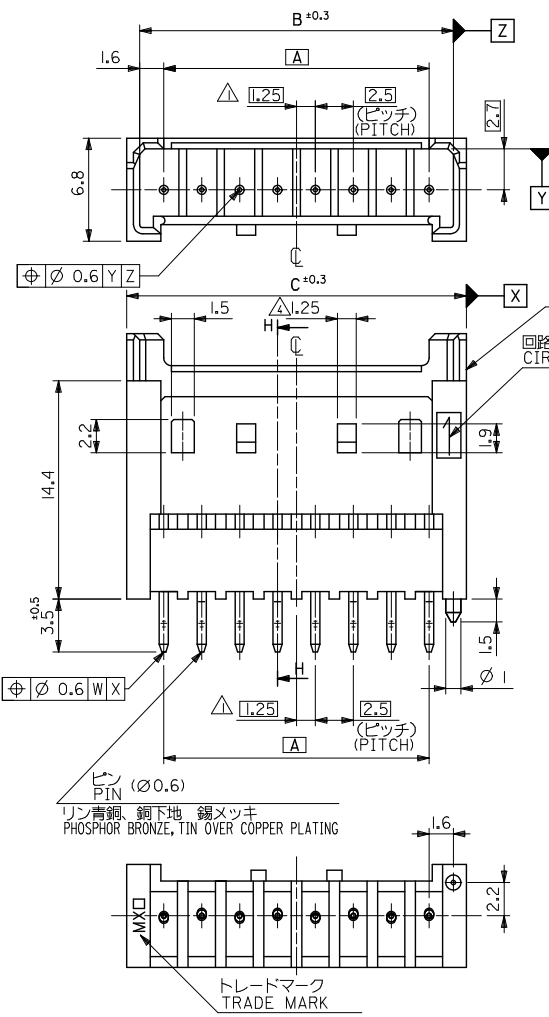
Click to view price, real time Inventory, Delivery & Lifecycle Information:

[Molex Connector Corporation](#)
[0535170910](#)

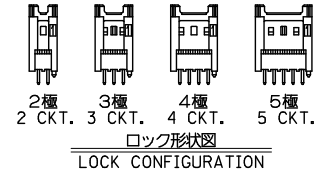
For any questions, you can email us directly:

sales@integrated-circuit.com

10 9 8 7 6 5 4 3 2 1



- 注記
NOTES
- △ 偶数極品に適用。
 APPLIES ONLY TO EVEN NO. CKT. SIZES.
 - 2. 嵌合相手 : 51103, 51136 シリーズ
 MATES WITH : 51103, 51136 SERIES.
 - 3. ELV AND ROHS COMPLIANT.
 - △ 2、3極品において、下記寸法とする。
 DIMENSIONS OF 2 AND 3 CKTS IS FOLLOWING.
 2CKTS : NONE
 3CKTS : 1
 - 5. MATERIAL
 WAFER PA, UL94V-0, COLOR : NATURAL
 PIN PHOSPHOR BRONZE, TIN OVER COPPER PLATING



39.9	38.2	35	53517-1510	15
37.4	35.7	32.5	-1410	14
32.4	30.7	27.5	-1210	12
29.9	28.2	25	-1110	11
27.4	25.7	22.5	-1010	10
24.9	23.2	20	-0910	9
22.4	20.7	17.5	-0810	8
19.9	18.2	15	-0710	7
17.4	15.7	12.5	-0610	6
14.9	13.2	10	-0510	5
12.4	10.7	7.5	-0410	4
9.9	8.2	5	-0310	3
7.4	5.7	2.5	53517-0210	2
C	B	A	TRAY PACKAGE ORDER NO.	極少数の極品

REVISED EC NO. J2016-0718 DRAWN: S.H. MONISHI 2016/01/26 CHKD: K.MURAKAMI 2016/01/26 APPR: T.KANEKO 2016/02/16 REV. DESCRIPTION	GENERAL TOLERANCES (UNLESS SPECIFIED)		DIMENSION STYLE MM ONLY		SCALE 4:1	DESIGN UNITS METRIC	THIRD ANGLE PROJECTION
	10 UNDER	± 0.3	DRAWN BY K. TOJO	DATE 1994/05/16	TITLE 2.5 WIRE TO BOARD CONN. WAFER ASSY -LEAD FREE-		
	10 OVER 30 UNDER	± 0.25	CHECKED BY S. KUNISHI	DATE 1994/05/16	MOLEX INCORPORATED		
	30 OVER	± 0.2	APPROVED BY M. FUKUSHIMA	DATE 1994/05/16	DOCUMENT NO. SD-53517-001		
ANGULAR ±3° DRAFT WHERE APPLICABLE MUST REMAIN WITHIN DIMENSIONS			MATERIAL NO.	SEE TABLE	SHEET NO. 1 OF 1		
THIS DRAWING CONTAINS INFORMATION THAT IS PROPRIETARY TO MOLEX INCORPORATED AND SHOULD NOT BE USED WITHOUT WRITTEN PERMISSION							

tb_frame_A3_1_ME_S
 Rev. E 2006/04/15

EN-02JA(021)