

Excellent Integrated System Limited

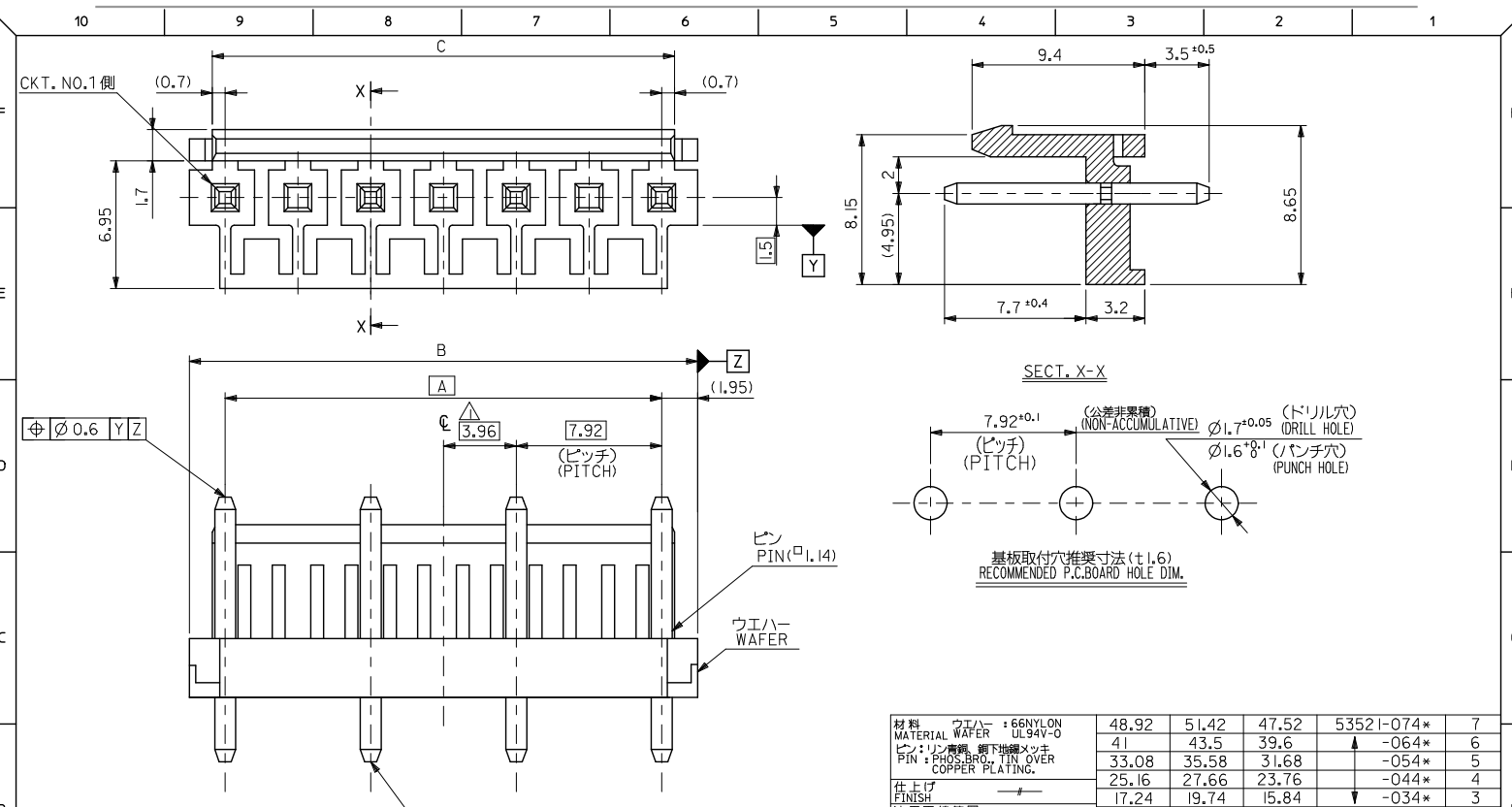
Stocking Distributor

Click to view price, real time Inventory, Delivery & Lifecycle Information:

[Molex Connector Corporation](#)
[0535210340](#)

For any questions, you can email us directly:

sales@integrated-circuit.com



注記
NOTES

- △ 偶数極品に適用。
APPLIES ONLY TO EVEN NO. CKT. SIZES.
- 2. 嵌合相手 : 51144 シリーズ
MATES WITH : 51144 SERIES.
- 3. 製品型番の下一桁は色を表します。
LAST DIGIT OF PART NUMBER INDICATES COLOR.
0:白 WHITE 1:黒 BLACK 2:赤 RED 3:黄 YELLOW 4:青 BLUE
5:灰 GRAY 6:緑 GREEN 7:茶 BROWN 8:橙 ORANGE 9:桃 PINK

| | | | | | | |
|------------|------------------------------------|-------|-------|-------|------------|---|
| 材料 | ウエハー : 66NYLON | 48.92 | 51.42 | 47.52 | 53521-074* | 7 |
| MATERIAL | ウエハー : UL94V-0 | 41 | 43.5 | 39.6 | ▲ -064* | 6 |
| ピン | リン青銅 銅下地メッキ | 33.08 | 35.58 | 31.68 | ▲ -054* | 5 |
| PIN | PHOS.BRO. TIN OVER COPPER PLATING. | 25.16 | 27.66 | 23.76 | ▲ -044* | 4 |
| 仕上げ | — | 17.24 | 19.74 | 15.84 | ▼ -034* | 3 |
| FINISH | — | 9.32 | 11.82 | 7.92 | 53521-024* | 2 |
| 適用電線範囲 | — | | | | | 2 |
| WIRE RANGE | — | | | | | |
| 被覆外径 | — | | | | | |
| INS. RANGE | — | | | | | |

| | | | | | | | |
|---------------------------------------------------------------------------------------------------------------------|------------------------------------------|-----------------|----------------------------|----------------------------------------------------------------|----------------------------------------------|------------------------|---------------------------|
| REVISED EC NO. J2016-0406 T:DIRAKIMATSUYAMA 2015/10/20 CHIKIDAKAKAWA 2015/10/20 APPROX:UKITA 2015/10/26 | GENERAL TOLERANCES (UNLESS SPECIFIED) | | DIMENSION STYLE MM ONLY | | SCALE --- | DESIGN UNITS METRIC | THIRD ANGLE PROJECTION |
| | 0.25 UNDER | UNDER ±0.03 | DRAWN BY C. ARIZONO | DATE 2009/04/07 | TITLE 7.92 WAFER WITH LOCK -LEAD FREE- | | |
| | 0.25 OVER | 0.5 UNDER ±0.05 | CHECKED BY T. HARUYAMA | DATE 2009/04/07 | DOCUMENT NO. SD-53521-001 | | |
| | 0.5 OVER | 1.0 UNDER ±0.1 | APPROVED BY N. UKITA | DATE 2009/04/07 | | | |
| | 1.0 OVER | 10 UNDER ±0.2 | MATERIAL NO. | | SHEET NO. 1 OF 2 | | |
| 30 OVER | 30 UNDER ±0.3 | SEE TABLE | | INCORPORATED AND SHOULD NOT BE USED WITHOUT WRITTEN PERMISSION | | | |

10 9 8 7 6 5 4 3 2 1

| | | | | | | | | | | | | | | |
|-----------------------------|-------------------------------|------------------------------|------------------------------|-----------------------------|-----------------------------|-------------------------------|----------------------------|------------------------------|------------------------------|------------|------------|------------|------------|-----------------------|
| | | | | | | | | | | 53521-0740 | 7 | | | |
| | | | | | | | | | | 53521-0640 | 6 | | | |
| | | | | | | | | | 53521-0542 | 53521-0540 | 5 | | | |
| | | | | | | | | | 53521-0443 | 53521-0442 | 53521-0441 | 53521-0440 | 4 | |
| | | | | | | | | | 53521-0344 | 53521-0343 | 53521-0342 | 53521-0341 | 53521-0340 | 3 |
| 53521-0249 | 53521-0248 | 53521-0247 | 53521-0246 | 53521-0245 | 53521-0244 | 53521-0243 | 53521-0242 | 53521-0241 | 53521-0240 | | | | | 2 |
| 53521-***49 COLOR : PINK | 53521-***48 COLOR : ORANGE | 53521-***47 COLOR : BROWN | 53521-***46 COLOR : GREEN | 53521-***45 COLOR : GRAY | 53521-***44 COLOR : BLUE | 53521-***43 COLOR : YELLOW | 53521-***42 COLOR : RED | 53521-***41 COLOR : BLACK | 53521-***40 COLOR : WHITE | | | | | 極数 NO. OF CKTS. |
| PLASTIC BAG | | | | | PLASTIC BAG | | | | | | | | | |
| ORDER No. オ-ダ-番号 | | | | | ORDER No. オ-ダ-番号 | | | | | | | | | |

| | | | | | | | | | | | | |
|--|--|--|--|--|--|--|--|--|--|------------------------|-------------|-------------------------------------|
| | | | | | | | | | | MODEL NO. | 53521-***4* | |
| | | | | | | | | | | SCALE | --- | |
| | | | | | | | | | | DESIGN UNITS | METRIC | |
| | | | | | | | | | | THIRD ANGLE PROJECTION | | |
| | | | | | | | | | | TITLE | | 7.92 WAFER WITH LOCK -LEAD FREE- |
| | | | | | | | | | | DOCUMENT NO. | | SD-53521-001 |
| | | | | | | | | | | SHEET NO. | | 2 OF 2 |

| | | | | | | | |
|------------------------------------------------------------------------------------------------------------------|------------------------------------------|-----------|-------|-----------------|--|------------------------------------------------------------------------------------------------------------------------------------------------|--|
| REVISED EC NO. J2016-0406 DRAWN MATSUJIMA 2015/10/20 CHKD SASAKAWA 2015/10/20 APPR. UKITA 2015/10/26 | GENERAL TOLERANCES (UNLESS SPECIFIED) | | | DIMENSION STYLE | | DRAWN BY DATE C. ARIZONO 2009/04/07 CHECKED BY DATE T. HARUYAMA 2009/04/07 APPROVED BY DATE N. UKITA 2009/04/07 MATERIAL NO. | |
| | 0.25 UNDER | UNDER | ±0.03 | MM ONLY | | | |
| | 0.25 OVER | 0.5 UNDER | ±0.05 | | | | |
| | 0.5 OVER | 1.0 UNDER | ±0.1 | | | | |
| | 1.0 OVER | 10 UNDER | ±0.2 | | | | |
| | 10 OVER | 30 UNDER | ±0.25 | | | | |
| | 30 OVER | ±0.3 | | | | | |
| | ANGULAR | ±3 ° | | | | | |
| DRAFT WHERE APPLICABLE MUST REMAIN WITHIN DIMENSIONS | | | | | | SIZE A3 | |
| | | | | | | THIS DRAWING CONTAINS INFORMATION THAT IS PROPRIETARY TO MOLEX INCORPORATED AND SHOULD NOT BE USED WITHOUT WRITTEN PERMISSION | |

9 8 7 6 5 4 3 2 1