

Excellent Integrated System Limited

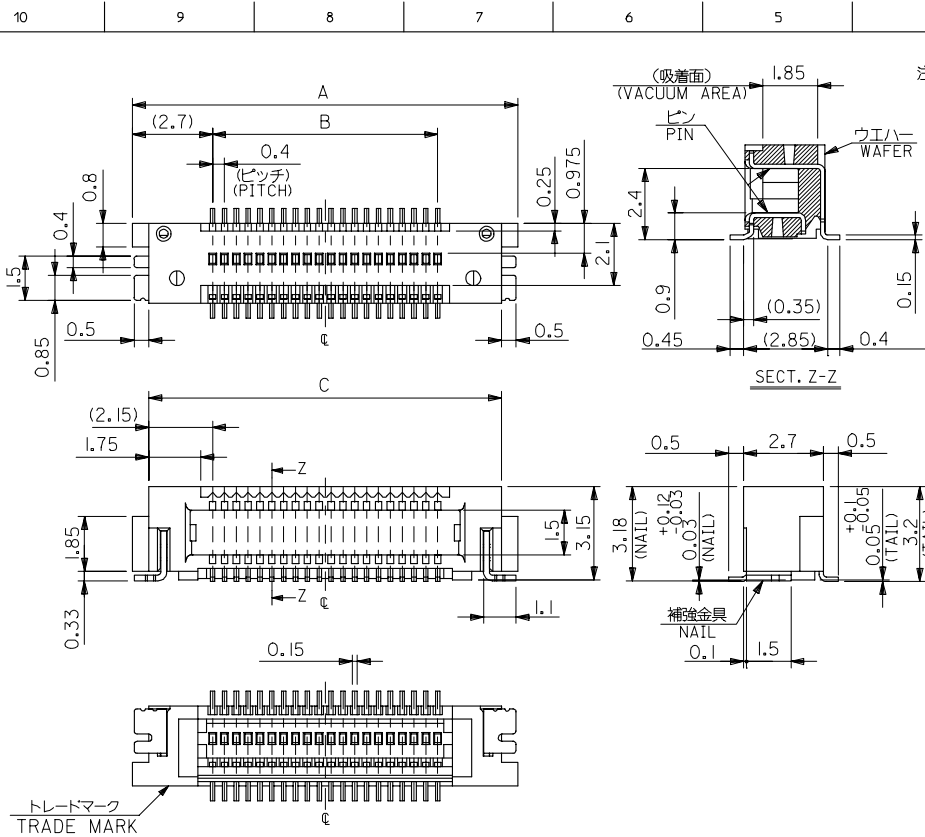
Stocking Distributor

Click to view price, real time Inventory, Delivery & Lifecycle Information:

[Molex Connector Corporation](#)
[0553948070](#)

For any questions, you can email us directly:

sales@integrated-circuit.com



注記 NOTES:

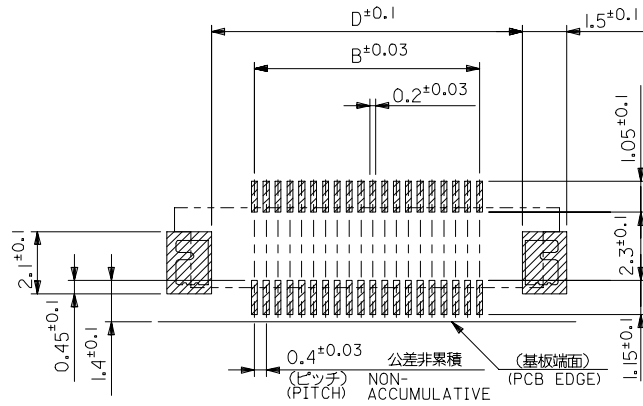
1. 使用材料 MATERIAL
 ワエハー: 液晶ポリマー ガラス充填 UL94V-0 茶色
 WAFER: LIQUID CRYSTAL POLYMER, GLASS FILLED, UL94V-0, COLOR BROWN
 ピン: リン青銅 (t=0.15)
 PIN: PHOSPHOR BRONZE (t=0.15)
 補強金具: リン青銅 (t=0.2)
 FITTING NAIL: PHOSPHOR BRONZE (t=0.2)
2. メッキ仕様 PLATING
 ピン PIN
 金メッキ: 0.25 マイクロメートル以上 (コンタクト部)
 GOLD 0.25 MICROMETER MINIMUM (CONTACT AREA)
 金メッキ: 0.35 マイクロメートル以下 (テール部)
 GOLD 0.35 MICROMETER MAXIMUM (TAIL AREA)
 下地メッキ: ニッケルメッキ 1.5 マイクロメートル以上
 UNDER PLATING: NICKEL 1.5 MICROMETER MINIMUM
 補強金具 FITTING NAIL
 銅メッキ: 1.0 マイクロメートル以上
 TIN: 1.0 MICROMETER MINIMUM
 下地メッキ: ニッケルメッキ 1.0 マイクロメートル以上
 UNDER PLATING: NICKEL 1.0 MICROMETER MINIMUM
3. 嵌合相手: 54552 シリーズ
 MATE WITH: 54552 SERIES.
4. テール平坦度は、0.08 以下
 テール及び金具の平坦度は、0.1 以下
 TAIL COPLANARITY TO BE 0.08 MAXIMUM
 TAIL AND FITTING NAIL COPLANARITY TO BE 0.1 MAXIMUM
5. 本製品は 55394-***5 の鉛フリー品である。
 THIS PRODUCT IS LEAD FREE OF 55394-***5.

20.5	21.9	17.6	23	55394-0909	90
18.5	19.9	15.6	21	55394-0809	80
10.5	11.9	7.6	13	55394-0409	40
8.5	9.9	5.6	11	55394-0309	30
6.5	7.9	3.6	9	55394-0209	20
D	C	B	A	MATERIAL NO.	CIRCUIT

REVISED EC NO.: J2006-1654 DRAWN BY: IMA CHKD BY: TANAKA APPR. BY: ITO	GENERAL TOLERANCES (UNLESS SPECIFIED)		DIMENSION STYLE MM ONLY	SCALE ---	DESIGN UNITS METRIC	THIRD ANGLE PROJECTION
	10 UNDER	±0.2	DRAWN BY HKAWABAT	DATE 2004/05/06	TITLE 0.4 B/B CONN. PLUG ASS'Y (R/A) W/O BOSS -LEAD FREE-	
	10 OVER 30 UNDER	±0.25	CHECKED BY KTOJO	DATE 2004/05/06	MATERIAL NO. SD-55394-015	SHEET NO. 1 OF 3
	30 OVER	±0.3	APPROVED BY MSASAO	DATE 2004/05/06		
DESCRIPTION ANGULAR ±3° DRAFT WHERE APPLICABLE MUST REMAIN WITHIN DIMENSIONS	MATERIAL NO. SEE CHART		DOCUMENT NO. SD-55394-015		SHEET NO. 1 OF 3	

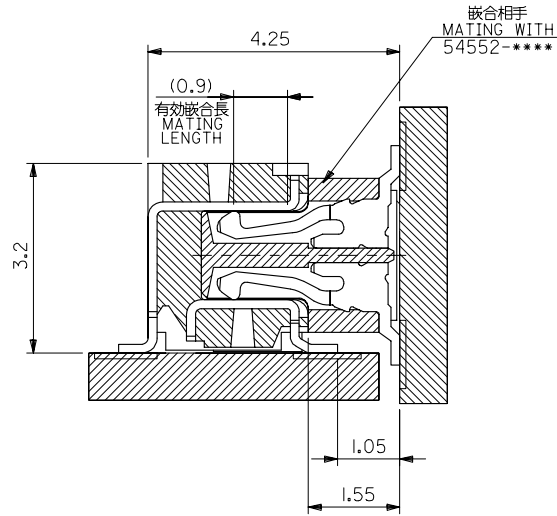
10 9 8 7 6 5 4 3 2 1

F
E
D
C
B
A



参考基板レイアウト (マウント面)
RECOMMENDED P.C.BOARD
PATTERN DIMENSION. (REFERENCE)
(MOUNTING AREA)

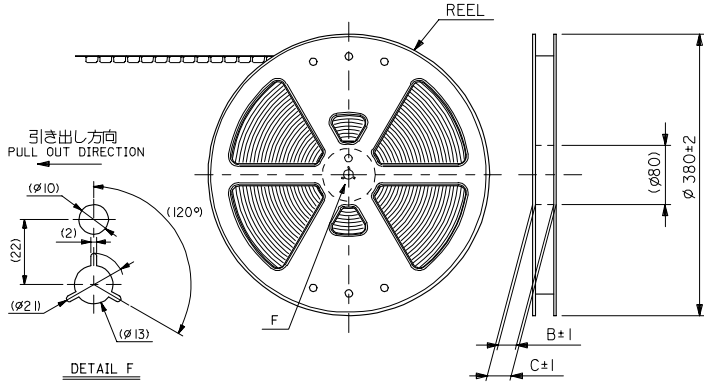
REVISIONS EC NO.: J2006-1654 2005/12/27 DRW: N. H. IMA 2006/01/05 CHK: D. TANAKA 2006/01/10 APPR: N. IMA 2006/01/10	GENERAL TOLERANCES (UNLESS SPECIFIED)		DIMENSION STYLE MM ONLY		SCALE ---	DESIGN UNITS METRIC	MODEL NO. 55394-***9
	10 UNDER	±0.2	DRAWN BY HKAWABAT	DATE 2004/05/06	TITLE 0.4 B/B CONN.PLUG ASS'Y (R/A) W/O BOSS -LEAD FREE-		
	10 OVER 30 UNDER	±0.25	CHECKED BY KTOJO	DATE 2004/05/06	APPROVED BY MSASAO		
	30 OVER	±0.3	DATE 2004/05/06	MATERIAL NO. SEE CHART			
ANGULAR	±3 °	DRAFT WHERE APPLICABLE MUST REMAIN WITHIN DIMENSIONS		DOCUMENT NO. SD-55394-015		SHEET NO. 2 OF 3	
THIS DRAWING CONTAINS INFORMATION THAT IS PROPRIETARY TO MOLEX INCORPORATED AND SHOULD NOT BE USED WITHOUT WRITTEN PERMISSION							



嵌合断面図 (参考)
MATED DRAWING (REFERENCE)

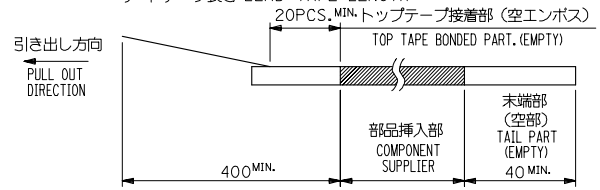
REVISED EC NO: J2006-1654 2005/12/27 DRUMHAYA IMA 2006/01/05 CHIKUMIYAMA 2006/01/10 APPERNIKITA	GENERAL TOLERANCES (UNLESS SPECIFIED)		DIMENSION STYLE MM ONLY	SCALE ---	DESIGN UNITS METRIC	MODEL NO. 55394-***9 THIRD ANGLE PROJECTION
	10 UNDER	±0.2	DRAWN BY HKAWABAT	DATE 2004/05/06	TITLE 0.4 B/B CONN.PLUG ASS'Y (R/A) W/O BOSS -LEAD FREE-	
	10 OVER 30 UNDER	±0.25	CHECKED BY KTOJO	DATE 2004/05/06	APPROVED BY MSASAO	
	30 OVER	±0.3	DATE 2004/05/06	MOLEX INCORPORATED		
	ANGULAR ±3°		MATERIAL NO. SEE CHART	DOCUMENT NO. SD-55394-015	SHEET NO. 3 OF 3	
	DRAFT WHERE APPLICABLE MUST REMAIN WITHIN DIMENSIONS		THIS DRAWING CONTAINS INFORMATION THAT IS PROPRIETARY TO MOLEX INCORPORATED AND SHOULD NOT BE USED WITHOUT WRITTEN PERMISSION			

10 9 8 7 6 5 4 3 2 1

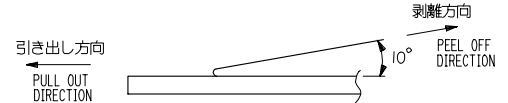


NOTES

1. 梱包数量：1500個/リール
NUMBER OF CONNECTORS : 1500PCS/REEL
2. リードテープ長さ LEAD TAPE LENGTH



3. トップテープの剥離強度：0.1～1.3N {10～130gf}
(剥離方向は下図参照)
尚、本規格値は出荷時に適用。(但し、輸送時に剥離が発生しないこと。)
PEELING OFF FORCE OF TOP TAPE : 0.1～1.3N {10～130gf}
(PEELING DIRECTION AS SHOWN IN FOLLOWING FIG.)
THIS REQUIREMENT SHOULD BE APPLIED AT SHIPMENT.
PEEL OFF SHOULD NOT BE ALLOWED, DURING TRANSPORTATION.

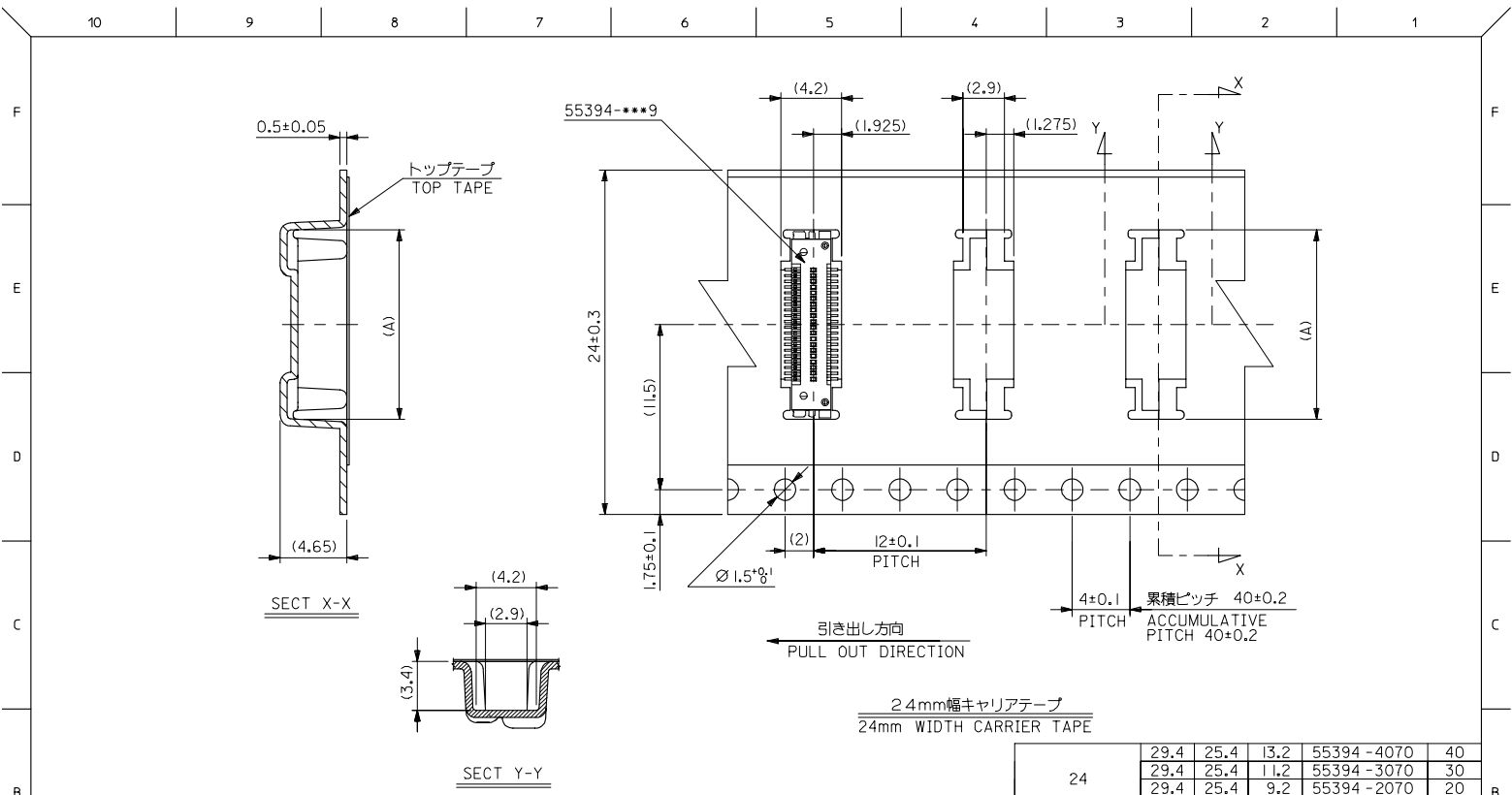


4. 材料 (MATERIAL)
キャリアテープ (CARRIER TAPE) : ポリプロピレン (POLYPROPYLENE)
トップテープ (TOPTAPE) : PET, PE, PEF
リール (REEL) : ポリスチレン (P.S.) <リサイクル材を含む>
POLYSTYRENE (P.S.) <RECYCLE MATERIAL CONTAINED>

5. 本製品は 55394-***6 の鉛フリー品である。
THIS PRODUCT IS LEAD FREE OF 55394-***6.

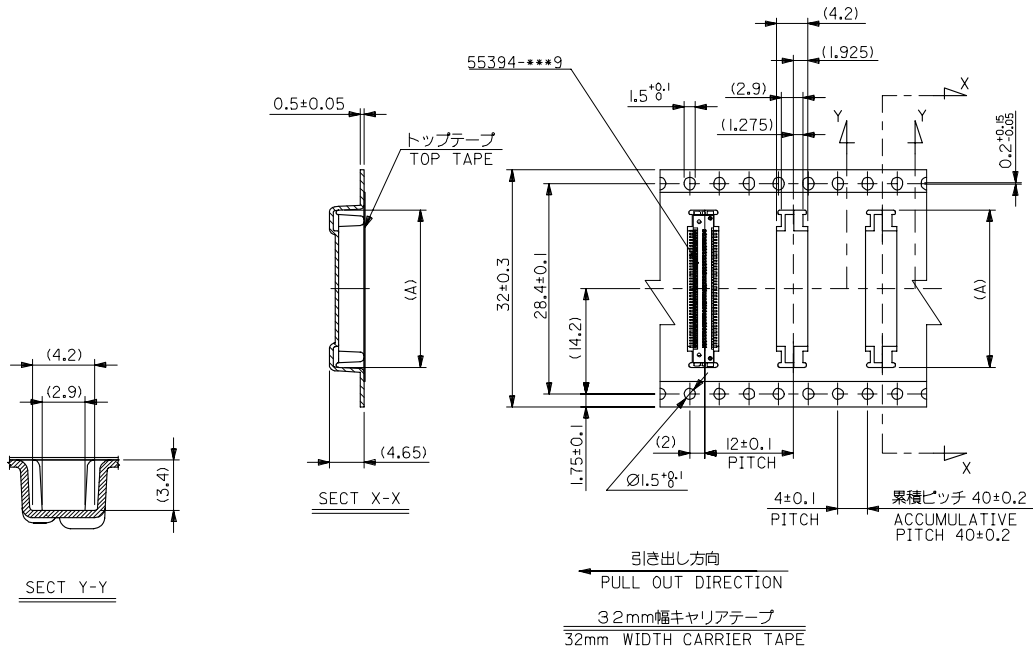
55394-9070	90
55394-8070	80
55394-4070	40
55394-3070	30
55394-2070	20

REVISED EC NO: J2006-1654 DRAWN BY: IMA 2005/12/27 CHKD BY: TANAKA 2006/01/05 APPR. BY: ITO 2006/01/10	DESCRIPTION	GENERAL TOLERANCES (UNLESS SPECIFIED)		MODEL NO.	55394-***70		MATERIAL NO.	極数	
		10 UNDER	±0.2	DRAWN BY	DATE	SCALE	DESIGN UNITS	THIRD ANGLE PROJECTION	
		10 OVER 30 UNDER	±0.25	HKAWABAT	2004/05/06	---	METRIC	◎	CIRCUIT
		30 OVER	±0.3	CHECKED BY	DATE	TITLE			
	ANGULAR	±3°	APPROVED BY	DATE	0.4 BTB CONN PLUG ASSY RA W/O BOSS EMBSTP PKG -LEAD FREE-				
	DRAFT WHERE APPLICABLE MUST REMAIN WITHIN DIMENSIONS		MATERIAL NO.	MSASAO	2004/05/06	MOLEX INCORPORATED			
			SIZE	SEE CHART		DOCUMENT NO.	SD-55394-016		
			THIS DRAWING CONTAINS INFORMATION THAT IS PROPRIETARY TO MOLEX INCORPORATED AND SHOULD NOT BE USED WITHOUT WRITTEN PERMISSION						SHEET NO. 1 OF 4



24	29.4	25.4	13.2	55394-4070	40
	29.4	25.4	11.2	55394-3070	30
	29.4	25.4	9.2	55394-2070	20

MODEL NO. 55394-***70		DIMENSION STYLE MM ONLY		SCALE ---	DESIGN UNITS METRIC	THIRD ANGLE PROJECTION
GENERAL TOLERANCES (UNLESS SPECIFIED)		DRAWN BY HKAWABAT		DATE 2004/05/06		
10 UNDER	±0.2	CHECKED BY KTOJO		DATE 2004/05/06		
10 OVER 30 UNDER	±0.25	APPROVED BY MSASAO		DATE 2004/05/06		
30 OVER	±0.3	MATERIAL NO.		DOCUMENT NO.		
ANGULAR	±3 °	SEE CHART		SD-55394-016		
DRAFT WHERE APPLICABLE MUST REMAIN WITHIN DIMENSIONS		SIZE A3		THIS DRAWING CONTAINS INFORMATION THAT IS PROPRIETARY TO MOLEX INCORPORATED AND SHOULD NOT BE USED WITHOUT WRITTEN PERMISSION		



32		37.4	33.4	21.2	55394-8070	80
キャリアテープ幅 CARRIER TAPE WIDTH		C	B	(A)	MATERIAL NO.	極数 CIRCUIT
GENERAL TOLERANCES (UNLESS SPECIFIED)		DIMENSION STYLE MM ONLY		SCALE ---	DESIGN UNITS METRIC	THIRD ANGLE PROJECTION
REVISED	EC NO: J2006-1654	2005/12/27	2006/01/05	2006/01/10	DESCRIPTION	
D	DRW: N. H. IMA	CHK: M. TANAKA	APP: R. NIKITA		0.4 BTB CONN PLUG ASSY RA W/O BOSS EMBSTP PKG -LEAD FREE-	
10 UNDER	±0.2	DRAWN BY HKAWABAT		DATE 2004/05/06	TITLE	
10 OVER 30 UNDER	±0.25	CHECKED BY KTOJO		DATE 2004/05/06	MOLEX INCORPORATED	
30 OVER	±0.3	APPROVED BY MSASAO		DATE 2004/05/06	MATERIAL NO. SD-55394-016	
ANGULAR	±3 °	DRAFT WHERE APPLICABLE MUST REMAIN WITHIN DIMENSIONS		SIZE A3	SHEET NO. 3 OF 4	
THIS DRAWING CONTAINS INFORMATION THAT IS PROPRIETARY TO MOLEX INCORPORATED AND SHOULD NOT BE USED WITHOUT WRITTEN PERMISSION						EN-02JA(021)

