

## Excellent Integrated System Limited

Stocking Distributor

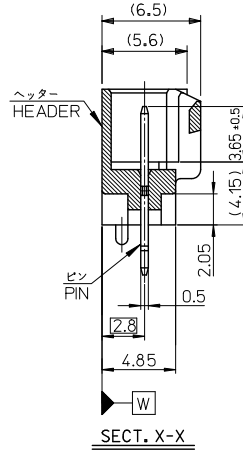
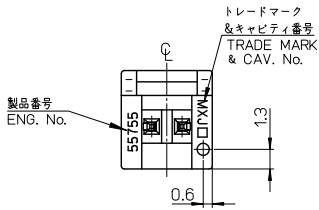
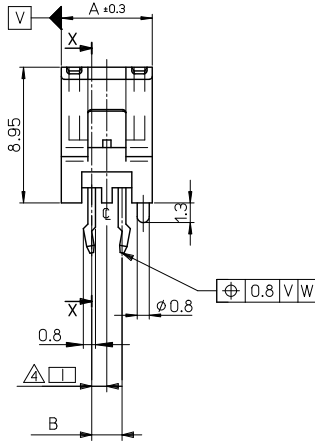
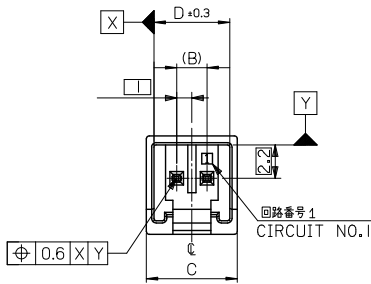
Click to view price, real time Inventory, Delivery & Lifecycle Information:

[Molex Connector Corporation](#)  
[0557550419](#)

For any questions, you can email us directly:

[sales@integrated-circuit.com](mailto:sales@integrated-circuit.com)

10 9 8 7 6 5 4 3 2 1



**注記 NOTES**

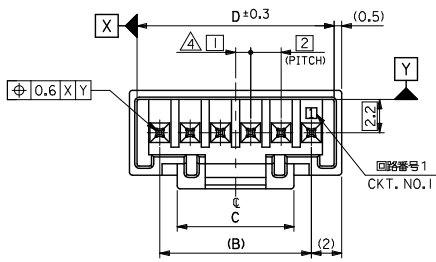
1. 材料 MATERIAL  
 ピン : 黄銅、銅下地鍍メッキ  
 PIN : BRASS, TIN OVER Cu PLATED  
 ヘッダー : 86ナイロン (ガラス入り: 20%), UL94V-0  
 (色: 自然色もしくは染色)  
 HEADER : NYLON66(G.F.: 20%), UL94V-0  
 (COLOR : NATURAL OR DYED COLOR)
2. 嵌合相手 : 51216シリーズ  
 MATE WITH : 51216 SERIES
3. ソルダーテールキックは、両端のピンのみとする。  
 KINK TO BE APPLIED FOR 2 PINS AT BOTH ENDS.  
 △ 偶数面に適用。  
 APPLY EVEN CIRCUIT PRODUCTS.
5. 本製品は 55755\*\*10 の鉛フリー品である。  
 THIS PRODUCT IS LEAD FREE OF 55755\*\*10.
6. ELV及びRoHS適合品。  
 ELV AND ROHS COMPLIANT.

5	6	2	6	557550214	557550219	2
D	C	B	A	MATERIAL NO. BLUE	MATERIAL NO. NATURAL	CKT.

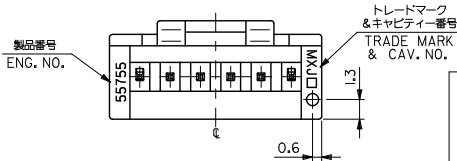
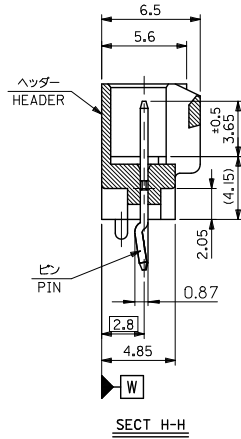
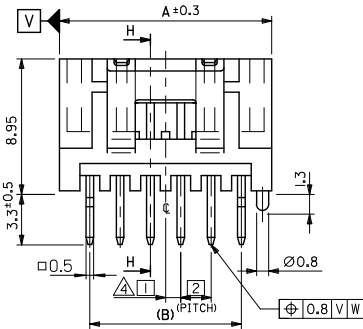
TRAY PACKAGE  
 オーダー番号 ORDER NO.  
 CONNECTOR SERIES NO. 55755\*\*\*\*

REVISED EC NO. J2012-0275 DRAWN BY DRWNSATO 2011/08/24 CHKD/KASAKAWA 2011/08/25 APPR./UKITA 2011/09/27	GENERAL TOLERANCES (UNLESS SPECIFIED)		DIMENSION STYLE	SCALE	DESIGN UNITS	THIRD ANGLE PROJECTION
	10 UNDER	± 0.2	MM ONLY	4:1	METRIC	◎ □
	10 OVER 30 UNDER	± 0.25				
	30 OVER	± 0.3				
A	ANGULAR	± 3 °	DRAWN BY DATE M. NABEI '05/01/24		TITLE 2.0 MM WIRE TO BOARD CONN. HEADER ASSY (ST) -LEAD FREE-	
	DRAFT WHERE APPLICABLE MUST REMAIN WITHIN DIMENSIONS		CHECKED BY DATE K. TOYODA '05/01/24		MOLEX INCORPORATED	
			APPROVED BY DATE N. UKITA '05/01/24		DOCUMENT NO. SD-55755-005	
			MATERIAL NO.		SHEET NO. 1 OF 3	
			SEE CHART			
			SIZE THIS DRAWING CONTAINS INFORMATION THAT IS PROPRIETARY TO MOLEX INCORPORATED AND SHOULD NOT BE USED WITHOUT WRITTEN PERMISSION			

10 9 8 7 6 5 4 3 2 1



3極以上品

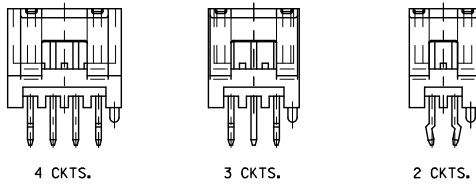


31	7.7	28	32		557551519	I5
29		26	30		1419	I4
27		24	28		1319	I3
25		22	26		1219	I2
23		20	24		1119	I1
21		18	22		1019	I0
19		16	20		0919	I9
17		14	18		0819	I8
15		12	16		0719	I7
13		10	14	557550613	0619	I6
11		8	12		0519	I5
9		6	10	557550413	0419	I4
7	7.7	4	8		557550319	I3
D	C	B	A	MATERIAL NO. YELLOW	MATERIAL NO. NATURAL	CKT.

TRAY PACKAGE						
オーダー番号 ORDER NO.						
CONNECTOR SERIES NO. 55755****						

REVISED EC NO. J2012-0275 DRAWN BY DRW:NESATO 2011/08/24 CHKD:KASAKAWA 2011/08/25 APPR:NUKITA 2011/09/27	GENERAL TOLERANCES (UNLESS SPECIFIED)		DIMENSION STYLE MM ONLY	SCALE 4:1	DESIGN UNITS METRIC	THIRD ANGLE PROJECTION
	10 UNDER	± 0.2	DRAWN BY M.NABEI	DATE '05/01/24	TITLE 2.0 MM WIRE TO BOARD CONN. HEADER ASSY (ST) -LEAD FREE-	
	10 OVER 30 UNDER	± 0.25	CHECKED BY K.TOYODA	DATE '05/01/24	MATERIAL NO. YELLOW	
	30 OVER	± 0.3	APPROVED BY N.NUKITA	DATE '05/01/24	MATERIAL NO. NATURAL	
	ANGULAR ± 3°	DRAFT WHERE APPLICABLE MUST REMAIN WITHIN DIMENSIONS		SEE CHART	DOCUMENT NO. SD-55755-005	SHEET NO. 2 OF 3
THIS DRAWING CONTAINS INFORMATION THAT IS PROPRIETARY TO MOLEX INCORPORATED AND SHOULD NOT BE USED WITHOUT WRITTEN PERMISSION						

10 9 8 7 6 5 4 3 2 1

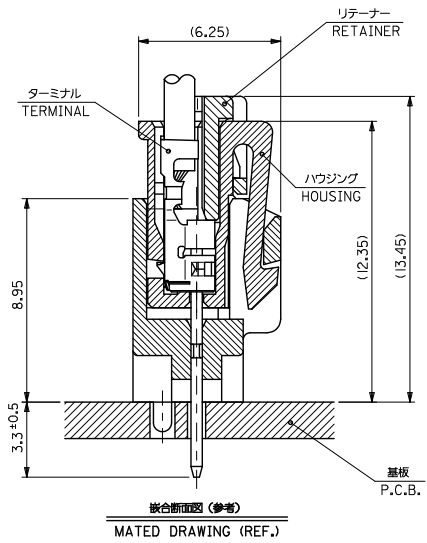
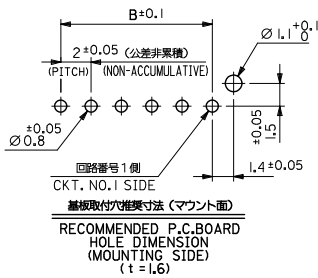


4 CKTS.

3 CKTS.

2 CKTS.

標準レイアウト図  
LAYOUT OF EACH CKTS.



REVISED EC NO. J2012-0275 DRAWN BY DRW:NESATO 2011/08/24 CHKD:KAKAWA 2011/08/25 APPR:NUKITA 2011/09/27	GENERAL TOLERANCES (UNLESS SPECIFIED)		DIMENSION STYLE MM ONLY	SCALE 4:1	DESIGN UNITS METRIC	THIRD ANGLE PROJECTION
	10 UNDER	± 0.2	DRAWN BY M.NABEI	DATE '05/01/24	TITLE 2.0 MM WIRE TO BOARD CONN. HEADER ASSY (ST) -LEAD FREE-	
	10 OVER 30 UNDER	± 0.25	CHECKED BY K.TOYODA	DATE '05/01/24	MOLEX INCORPORATED	
	30 OVER	± 0.3	APPROVED BY N.NUKITA	DATE '05/01/24	MATERIAL NO. SEE SHHE1.2	DOCUMENT NO. SD-55755-005
A	ANGULAR ± 3 ° DRAFT WHERE APPLICABLE MUST REMAIN WITHIN DIMENSIONS		THIS DRAWING CONTAINS INFORMATION THAT IS PROPRIETARY TO MOLEX INCORPORATED AND SHOULD NOT BE USED WITHOUT WRITTEN PERMISSION			