

Excellent Integrated System Limited

Stocking Distributor

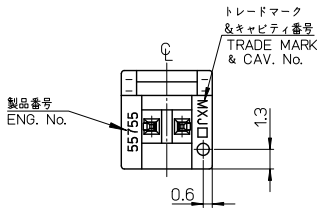
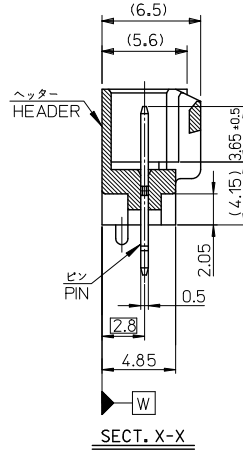
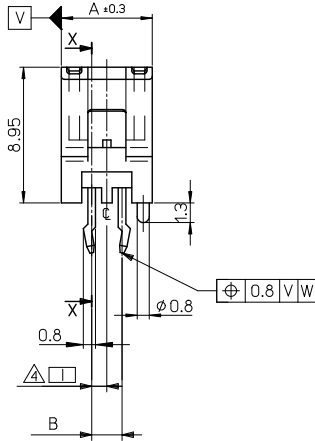
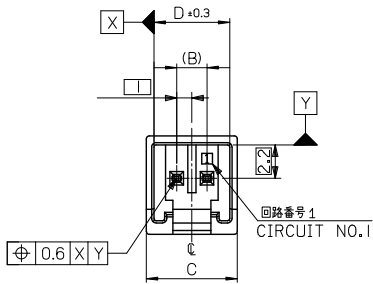
Click to view price, real time Inventory, Delivery & Lifecycle Information:

[Molex Connector Corporation](#)
[0557550819](#)

For any questions, you can email us directly:

sales@integrated-circuit.com

10 9 8 7 6 5 4 3 2 1



注記
NOTES

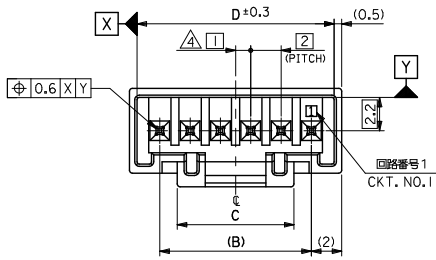
1. 材料 MATERIAL
ピン : 黄銅、銅下地鍍メッキ
PIN : BRASS, TIN OVER Cu PLATED
ヘッダー : 86ナイロン (ガラス入り: 20%), UL94V-0
(色: 自然色もしくは染色)
HEADER : NYLON66(G.F.: 20%), UL94V-0
(COLOR : NATURAL OR DYED COLOR)
2. 嵌合相手 : 51216シリーズ
MATE WITH : 51216 SERIES
3. ソルダーテールキックは、両端のピンのみとする。
KINK TO BE APPLIED FOR 2 PINS AT BOTH ENDS.
△ 偶数面に適用。
APPLY EVEN CIRCUIT PRODUCTS.
5. 本製品は 55755**10 の鉛フリー品である。
THIS PRODUCT IS LEAD FREE OF 55755**10.
6. ELV及びRoHS適合品。
ELV AND ROHS COMPLIANT.

5	6	2	6	557550214	557550219	2
D	C	B	A	MATERIAL NO. BLUE	MATERIAL NO. NATURAL	CKT.

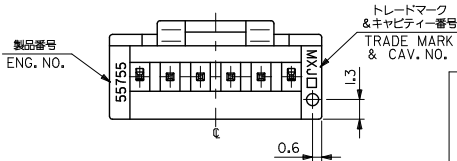
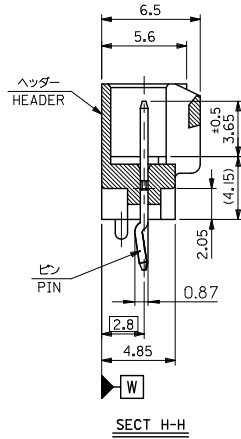
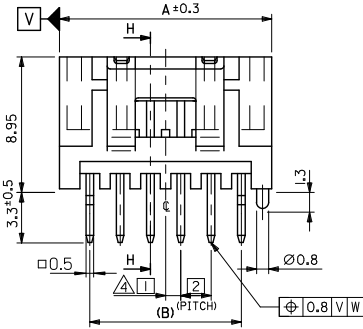
TRAY PACKAGE
オーダー番号 ORDER NO.
CONNECTOR SERIES NO. 55755****

REVISED EC NO. J2012-0275 DRAWN BY DRWNETSATO 2011/08/24 CHKD/KASAKAWA 2011/08/25 APPR./UKITA 2011/09/27	GENERAL TOLERANCES (UNLESS SPECIFIED)		DIMENSION STYLE MM ONLY	SCALE 4:1	DESIGN UNITS METRIC	THIRD ANGLE PROJECTION
	10 UNDER	± 0.2	DRAWN BY M. NABEI	DATE '05/01/24	TITLE 2.0 MM WIRE TO BOARD CONN. HEADER ASSY (ST) -LEAD FREE-	
	10 OVER 30 UNDER	± 0.25	CHECKED BY K. TOYODA	DATE '05/01/24	MOLEX INCORPORATED	
	30 OVER	± 0.3	APPROVED BY N. UKITA	DATE '05/01/24	MATERIAL NO. SD-55755-005	SHEET NO. 1 OF 3
A	ANGULAR ±3 ° DRAFT WHERE APPLICABLE MUST REMAIN WITHIN DIMENSIONS		SEE CHART		THIS DRAWING CONTAINS INFORMATION THAT IS PROPRIETARY TO MOLEX INCORPORATED AND SHOULD NOT BE USED WITHOUT WRITTEN PERMISSION	

10 9 8 7 6 5 4 3 2 1



3極以上品

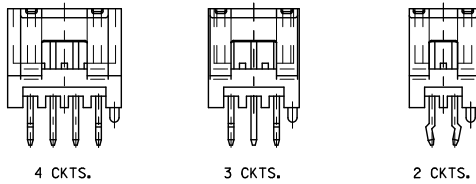


31	7.7	28	32		557551519	I5
29		26	30		1419	I4
27		24	28		1319	I3
25		22	26		1219	I2
23		20	24		1119	I1
21		18	22		1019	I0
19		16	20		0919	I9
17		14	18		0819	I8
15		12	16		0719	I7
13		10	14	557550613	0619	I6
11		8	12		0519	I5
9		6	10	557550413	0419	I4
7	7.7	4	8		557550319	I3
D	C	B	A	MATERIAL NO. YELLOW	MATERIAL NO. NATURAL	CKT.

TRAY PACKAGE
オーダー番号 ORDER NO.
CONNECTOR SERIES NO. 55755****

REVISED EC NO. J2012-0275 DRAWN BY CHIKUDASAKAWA APPROVED BY N. UKITA	GENERAL TOLERANCES (UNLESS SPECIFIED)		DIMENSION STYLE MM ONLY		SCALE 4:1	DESIGN UNITS METRIC	THIRD ANGLE PROJECTION
	10 UNDER	± 0.2	DRAWN BY M. NABEI	DATE '05/01/24	TITLE 2.0 MM WIRE TO BOARD CONN. HEADER ASSY (ST) -LEAD FREE-		
	10 OVER 30 UNDER	± 0.25	CHECKED BY K. TOYODA	DATE '05/01/24	MATERIAL NO. YELLOW		
	30 OVER	± 0.3	APPROVED BY N. UKITA	DATE '05/01/24	MATERIAL NO. NATURAL		
ANGULAR ± 3 °		DRAFT WHERE APPLICABLE MUST REMAIN WITHIN DIMENSIONS		SEE CHART		MATERIAL NO. NATURAL	
SIZE A3		THIS DRAWING CONTAINS INFORMATION THAT IS PROPRIETARY TO MOLEX INCORPORATED AND SHOULD NOT BE USED WITHOUT WRITTEN PERMISSION					

10 9 8 7 6 5 4 3 2 1

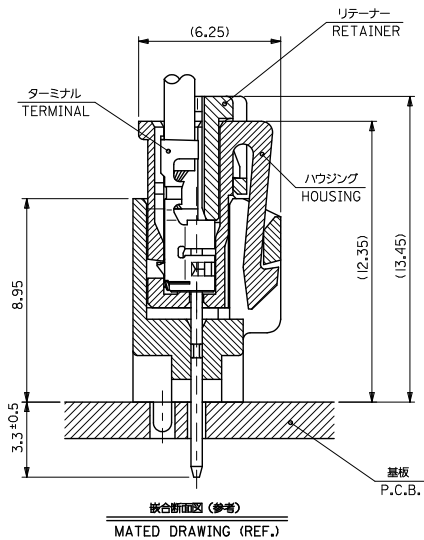
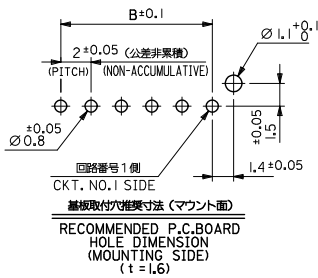


4 CKTS.

3 CKTS.

2 CKTS.

標準レイアウト図
LAYOUT OF EACH CKTS.



REVISED EC NO. J2012-0275 2011/08/24 DRW: NESATO 2011/08/25 CHK: H. SAKAWA 2011/09/27 APPR: N. UKITA	GENERAL TOLERANCES (UNLESS SPECIFIED)		DIMENSION STYLE	SCALE	DESIGN UNITS	THIRD ANGLE PROJECTION
			MM ONLY	4:1	METRIC	
	10 UNDER	± 0.2	DRAWN BY	DATE	TITLE	
	10 OVER 30 UNDER	± 0.25	M. NABEI	'05/01/24	2.0 MM WIRE TO BOARD CONN. HEADER ASSY (ST) -LEAD FREE-	
	30 OVER	± 0.3	CHECKED BY	DATE	MOLEX INCORPORATED	
ANGULAR	$\pm 3^\circ$	K. TOYODA	'05/01/24	MATERIAL NO.		
DRAFT WHERE APPLICABLE MUST REMAIN WITHIN DIMENSIONS		APPROVED BY	DATE	DOCUMENT NO.		
		N. UKITA	'05/01/24	SEE SHHE1.2		
		SIZE		SD-55755-005		
		A3		SHEET NO.		
		THIS DRAWING CONTAINS INFORMATION THAT IS PROPRIETARY TO MOLEX INCORPORATED AND SHOULD NOT BE USED WITHOUT WRITTEN PERMISSION		3 OF 3		