

Excellent Integrated System Limited

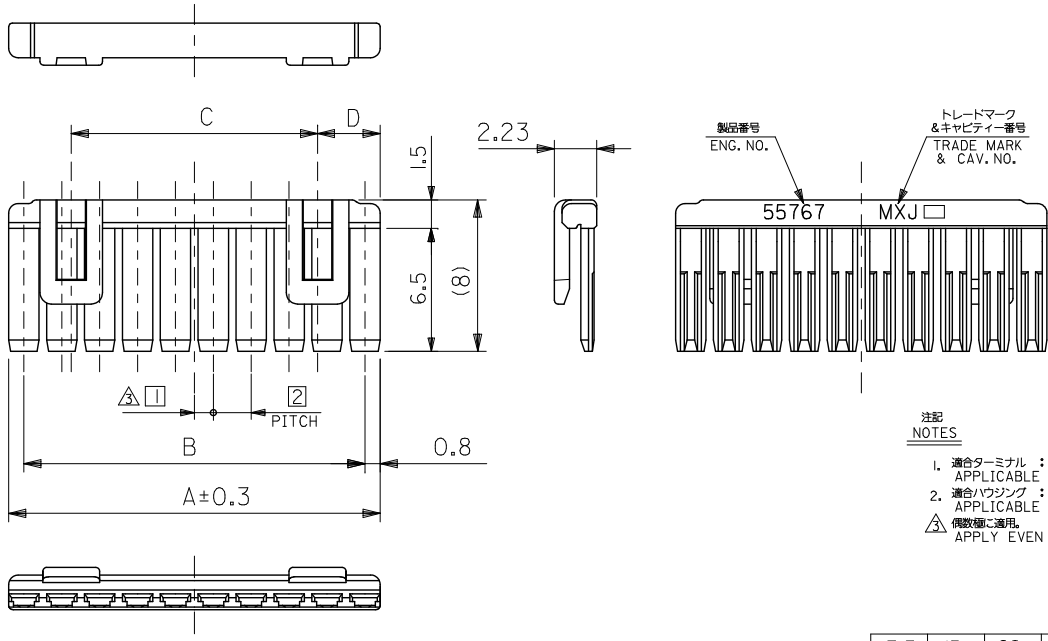
Stocking Distributor

Click to view price, real time Inventory, Delivery & Lifecycle Information:

[Molex Connector Corporation](#)
[0557671505](#)

For any questions, you can email us directly:
sales@integrated-circuit.com

10 9 8 7 6 5 4 3 2 1



- 注記
NOTES
- 適合ターミナル : 56134シリーズ
APPLICABLE TERMINAL : 56134 SERIES
 - 適合ハウジング : 51242シリーズ
APPLICABLE HOUSING : 51242 SERIES
- △ 偶数脚に適用。
APPLY EVEN CIRCUIT PRODUCTS.

7.3	15	28	29.6	55767-1505	15
D	C	B	A	MATERIAL NO.	CKT.

MATERIAL
材料
ポリエスチル (PBT)、ガラス入り、
UL94V-0、色: 灰色
COLOR: GRAY

REVISED EC NO. J2008-4108 DRAWN BY DRWANAKAMURA 2008/06/23 CHKD: T. HARIYAMA 2008/06/23 APPR: MUKITA 2008/07/29	GENERAL TOLERANCES (UNLESS SPECIFIED)		DIMENSION STYLE MM ONLY	SCALE 5:1	DESIGN UNITS METRIC	THIRD ANGLE PROJECTION
	10 UNDER	± 0.2	DRAWN BY N. ITO	DATE '01/04/02	2.0 DUAL W/B CONN RETAINER	
	10 OVER 30 UNDER	± 0.25	CHECKED BY K. ASAKAWA	DATE '01/08/02		
	30 OVER	± 0.3	APPROVED BY T. YAMAGUCHI	DATE '01/08/02	MOLEX INCORPORATED	
REV	DESCRIPTION	ANGULAR ± 3 °	MATERIAL NO.	SEE TABLE	DOCUMENT NO. SD-55767-002	SHEET NO. 1 OF 1
DRAFT WHERE APPLICABLE MUST REMAIN WITHIN DIMENSIONS		THIS DRAWING CONTAINS INFORMATION THAT IS PROPRIETARY TO MOLEX INCORPORATED AND SHOULD NOT BE USED WITHOUT WRITTEN PERMISSION				