

Excellent Integrated System Limited

Stocking Distributor

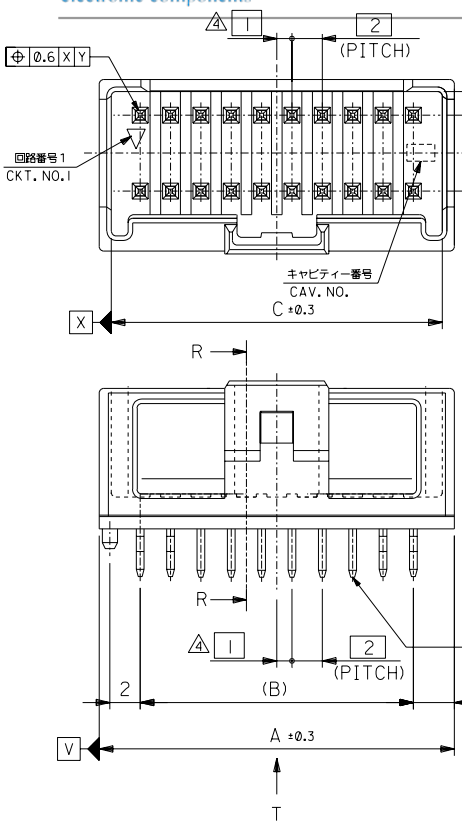
Click to view price, real time Inventory, Delivery & Lifecycle Information:

[Molex Connector Corporation](#)
[0559172410](#)

For any questions, you can email us directly:

sales@integrated-circuit.com

DWG. NO. SD-55917-003

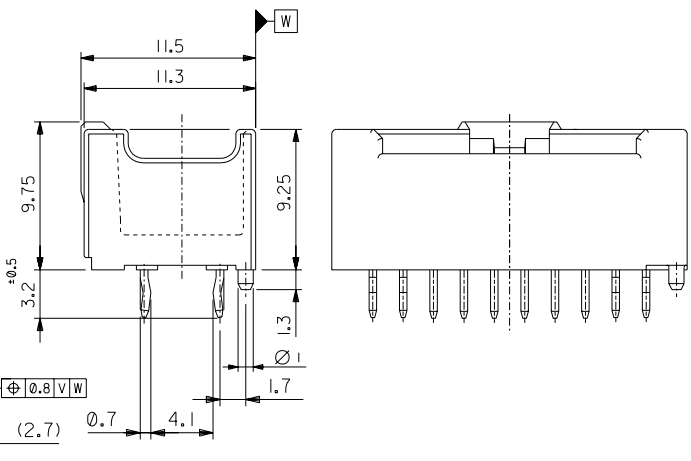


注記 NOTES

- 材料 MATERIAL
ピン : 黄銅、ニッケル下地鍍メッキ
PIN : BRASS, Sn OVER NI PLATED
ハウジング : PBT (ガラス入り: 15%), UL94V-0
HOUSING : PBT(G.F.: 15%), UL94V-0
- 嵌合相手 : 51353シリーズ
MATE WITH : 51353 SERIES
- ソルダーテールキックは、両端の8ピンのみとする。
KINK TO BE APPLIED FOR 8 PINS AT BOTH ENDS.

△ (金個数/2) = 偶数の場合に適用。
APPLY FOR (CIRCUIT/2)=EVEN
△ 製品番号 MATERIAL NO.
55917-***
極数 CIRCUIT SIZE 色 COLOR

ナチュラル(白) NATURAL(WHITE)	0
黒 BLACK	1
赤 RED	2
黄 YELLOW	3
青 BLUE	4
桃 PINK	5
緑 GREEN	6
茶 BROWN	7
橙 ORANGE	8
紫 VIOLET	9



無鉛
LEAD FREE

41.8	38	43.4	55917-40*	40
39.8	36	41.4	-38*	38
37.8	34	39.4	-36*	36
35.8	32	37.4	-34*	34
33.8	30	35.4	-32*	32
31.8	28	33.4	-30*	30
29.8	26	31.4	-28*	28
27.8	24	29.4	-26*	26
25.8	22	27.4	-24*	24
23.8	20	25.4	-22*	22
21.8	18	23.4	-20*	20
19.8	16	21.4	-18*	18
17.8	14	19.4	-16*	16
15.8	12	17.4	-14*	14
13.8	10	15.4	-12*	12
11.8	8	13.4	-10*	10
9.8	6	11.4	55917-08*	8
C	B	A	△ MATERIAL NO.	CKT.

REVISED	REVISION	DATE	BY	CHK	APP
D	REVISED	03/06/26	N.ITO	K.SAKAWA	T.YAMAGUCHI
C	REVISED	03/06/19	N.ITO	K.SAKAWA	T.YAMAGUCHI
B	REVISED	02/03/18	N.ITO	K.SAKAWA	T.YAMAGUCHI
A	REVISED	02/02/28	N.ITO	K.SAKAWA	T.YAMAGUCHI
0	RELEASED	01/02/17	N.ITO	K.SAKAWA	T.YAMAGUCHI

MATERIAL	材料	注記参照
FINISH	仕上げ	//
WIRE RANGE	適用電線範囲	//
INS. RANGE	適用絶縁外皮	//

GENERAL TOLERANCES:	(UNLESS SPECIFIED)
10 UNDER	+0.2
10 OVER	+0.25
30 UNDER	+0.25
30 OVER	+0.3
ANGLE	角度 ±3°

SCALE	SCALE	DESIGN UNITS	DESIGN UNITS
1:1	1:1	mm	mm
1:1	1:1	inch	inch
DRAWN BY & DATE: N.ITO 01/02/17			
CHECKED BY & DATE: K.SAKAWA 03/06/26			
APPROVED BY & DATE: T.YAMAGUCHI 03/06/26			
CAD FILENAME: 55917003.S01			

MODEL NO.	55917-***	DIMENSIONS:	mm	inch	mm	inch
PROJECTION	ANGLE	mm	inch	mm	inch	
TITLE: 2.0mm W-t-B DUAL CONN DIP PLUG HOUSING ASS'Y ST (WITH BOSS)						
MOLEX INCORPORATED						
MATERIAL NO.	SEE CHART	DRAWING NO.	SD-55917-003	SHEET NO.	1 OF 2	SIZE
EN-02JU(097)MXJ-54						

DWG. NO. SD-55917-003

F

E

D

C

B

A

DO NOT SCALE DRAWING

F

E

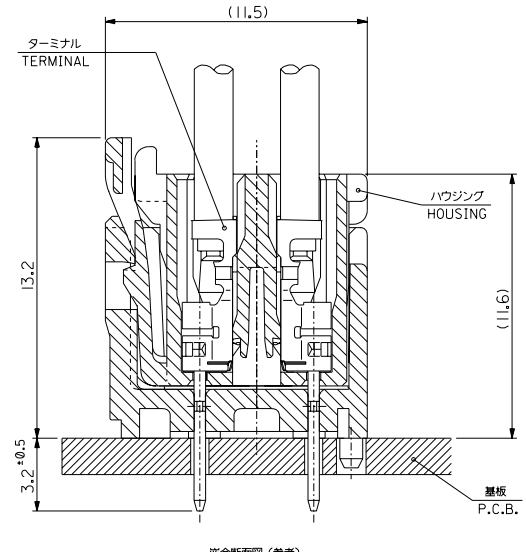
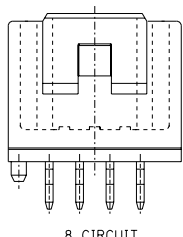
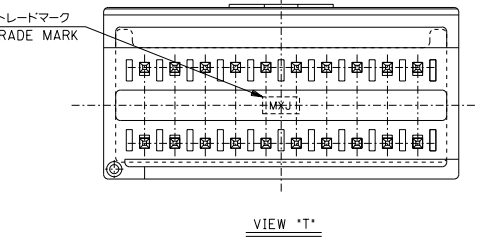
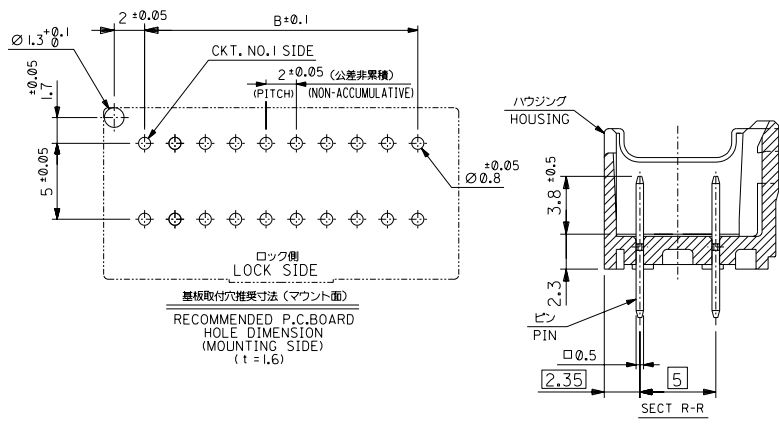
D

C

B

A

55917003.S02



無鉛
LEAD FREE

REV	DESCRIPTION
D	REVISD DRAWN: NITO CHK: K. ASAKAWA APPR: T. YAMAGUCHI
C	REVISD DRAWN: NITO CHK: K. ASAKAWA APPR: T. YAMAGUCHI
B	REVISD DRAWN: NITO CHK: K. ASAKAWA APPR: T. YAMAGUCHI
A	REVISD DRAWN: NITO CHK: K. ASAKAWA APPR: T. YAMAGUCHI
0	RELEASED DRAWN: NITO CHK: K. ASAKAWA APPR: T. YAMAGUCHI

MATERIAL	FINISH	WIRE RANGE	INS. RANGE
材料	仕上げ	適用電線範囲	被覆外径
注記参照 SEE NOTES	//	//	//

GENERAL TOLERANCES: (UNLESS SPECIFIED)	
10 UNDER 未満	+0.2
10 OVER 以上 30 UNDER 未満	+0.25
30 OVER 以上	+0.3
ANGLE 角度	±3°

55917-***1		MODEL NO.	DIMENSIONS:		SHT	REV	
SCALE 4:1	DESIGN UNITS mm INCH	PROJECTION	mm INCH	mm ONLY	2	2	
DRAWN BY & DATE N. ITO 01/12/17		TITLE: 2.0mm W-t-B DUAL CONN DIP PLUG HOUSING ASS'Y ST (WITH BOSS)				SHEET NO. 2 OF 2	
CHECKED BY & DATE K. ASAKAWA 03/06/26		MOLEX INCORPORATED				SIZE B	
APPROVED BY & DATE T. YAMAGUCHI 03/06/26		MATERIAL NO. SEE CHART		DRAWING NO. SD-55917-003		EN-02J(097) MXJ-54	
CAD FILENAME 55917003.S02		<small>THIS DRAWING CONTAINS INFORMATION THAT IS PROPRIETARY TO MOLEX INCORPORATED AND SHOULD NOT BE USED WITHOUT WRITTEN PERMISSION.</small>					