

Excellent Integrated System Limited

Stocking Distributor

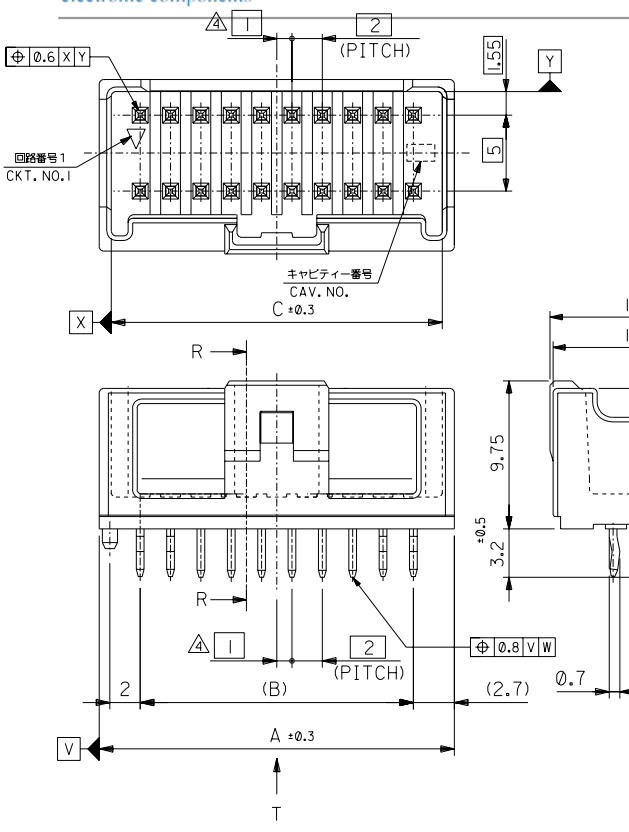
Click to view price, real time Inventory, Delivery & Lifecycle Information:

[Molex Connector Corporation](#)
[0559172610](#)

For any questions, you can email us directly:

sales@integrated-circuit.com

DWG. NO. SD-55917-003



注記 NOTES

- 材料 MATERIAL
ピン : 鍍銀 ニッケル下地鍍メッキ
PIN : BRASS, Sn OVER NI PLATED
ハウジング : PBT (ガラス入り: 15%), UL94V-0
HOUSING : PBT(G.F.: 15%), UL94V-0
- 嵌合相手 : 51353シリーズ
MATE WITH : 51353 SERIES
- ソルダーテールキックは、両端の8ピンのみとする。
KINK TO BE APPLIED FOR 8 PINS AT BOTH ENDS.

△ (金銀色/2) = 偶数の場合に適用。
APPLY FOR (CIRCUIT/2)=EVEN
△ 製品番号 MATERIAL NO.
55917-***
極数 CIRCUIT SIZE 色 COLOR

ナチュラル(白) NATURAL(WHITE)	0
黒 BLACK	1
赤 RED	2
黄 YELLOW	3
青 BLUE	4
桃 PINK	5
緑 GREEN	6
茶 BROWN	7
橙 ORANGE	8
紫 VIOLET	9

41.8	38	43.4	55917-40*	40
39.8	36	41.4	-38*	38
37.8	34	39.4	-36*	36
35.8	32	37.4	-34*	34
33.8	30	35.4	-32*	32
31.8	28	33.4	-30*	30
29.8	26	31.4	-28*	28
27.8	24	29.4	-26*	26
25.8	22	27.4	-24*	24
23.8	20	25.4	-22*	22
21.8	18	23.4	-20*	20
19.8	16	21.4	-18*	18
17.8	14	19.4	-16*	16
15.8	12	17.4	-14*	14
13.8	10	15.4	-12*	12
11.8	8	13.4	-10*	10
9.8	6	11.4	55917-08*	8
C	B	A	△ MATERIAL NO.	CKT.

無鉛
LEAD FREE

DO NOT SCALE DRAWING

REVISED	REVISION	DATE	BY	APPR.
D	REVISED	03/06/26	N.ITO	K.KASAKAWA
C	REVISED	03/06/26	N.ITO	K.KASAKAWA
B	REVISED	02/03/18	N.ITO	K.KASAKAWA
A	REVISED	02/02/28	N.ITO	K.KASAKAWA
0	RELEASED	01/02/17	N.ITO	K.KASAKAWA

MATERIAL	注記参照
FINISH	//
WIRE RANGE	//
INS. RANGE	//

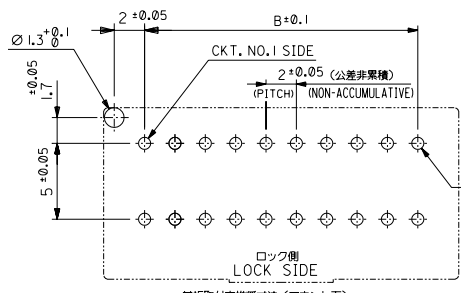
GENERAL TOLERANCES:	SCALE	DESIGN UNITS
(UNLESS SPECIFIED)	1:1	mm
10 UNDER	+0.2	
10 OVER	+0.25	
30 UNDER	+0.3	
30 OVER	+0.3	
ANGLE	3°	

55917-***	MODEL NO.
SCALE	PROJECTION
DRAWN BY & DATE	TITLE:
N.ITO 01/02/17	2.0mm W-t-B DUAL CONN DIP
CHECKED BY & DATE	PLUG HOUSING ASS'Y ST (WITH BOSS)
K.KASAKAWA 03/06/26	
APPROVED BY & DATE	MOLEX INCORPORATED
T.YAMAGUCHI 03/06/26	
CAD FILENAME	MATERIAL NO.
55917003,S01	SEE CHART

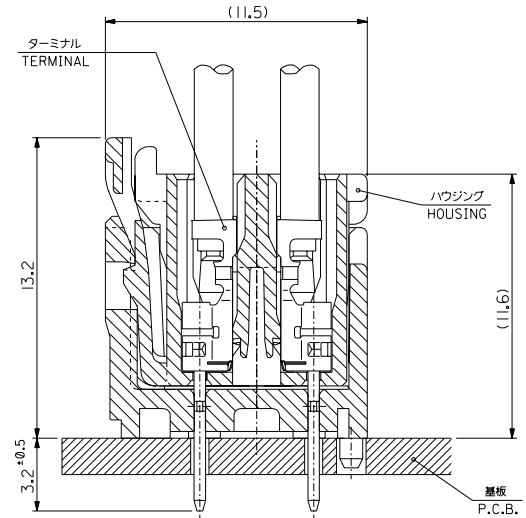
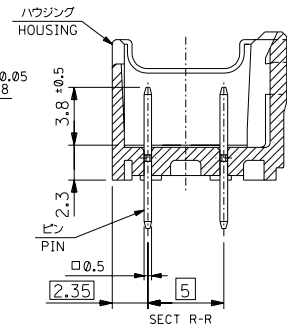
DIMENSIONS:	SHT	REV
mm	1	1
INCH	1	1
mm ONLY		
SIZE		
B		
EN-02JU(097)MXJ-54		

55917(097)MXJ-54

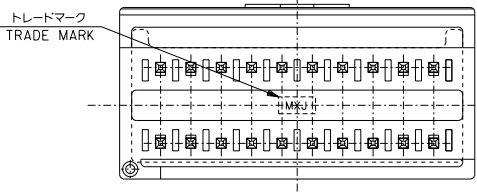
DO NOT SCALE DRAWING



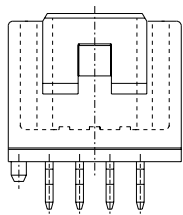
LOCK SIDE
 基板取付穴推奨寸法 (マウント面)
 RECOMMENDED P.C. BOARD
 HOLE DIMENSION
 (MOUNTING SIDE)
 (t = 1.6)



嵌合断面図 (参考)
 MATED DRAWING (REF.)



VIEW *T*



8 CIRCUIT

無鉛
 LEAD FREE

REVISED	55917-***1	MODEL NO.	DIMENSIONS:		SHT	REV
	SCALE 4:1	DESIGN UNITS	BOARD ANGLE PROJECTION	mm INCH	mm ONLY	REVISE ON CAD ONLY
D	REVISIONS	DRAWN BY & DATE		TITLE:		
C	REVISIONS	CHECKED BY & DATE		2.0mm W-t-B DUAL CONN DIP		
B	REVISIONS	APPROVED BY & DATE		PLUG HOUSING ASS'Y ST (WITH BOSS)		
A	REVISIONS	MATERIAL NO.		MOLEX INCORPORATED		
0	REVISIONS	DRAWING NO.		SD-55917-003		
	DESCRIPTION	CAD FILENAME		SHEET NO.		
	MATERIAL	55917003.S02		2 OF 2		
	FINISH			SIZE		
	WIRE RANGE			B		
	INS. RANGE			EN-02J(097) MXJ-54		

GENERAL TOLERANCES: (UNLESS SPECIFIED) 10 UNDER 未滿 +0.2, 10 OVER 以上 30 UNDER 未滿 +0.25, 30 OVER 以上 +0.3, ANGLE 角度 ±3°

DO NOT SCALE DRAWING