

Excellent Integrated System Limited

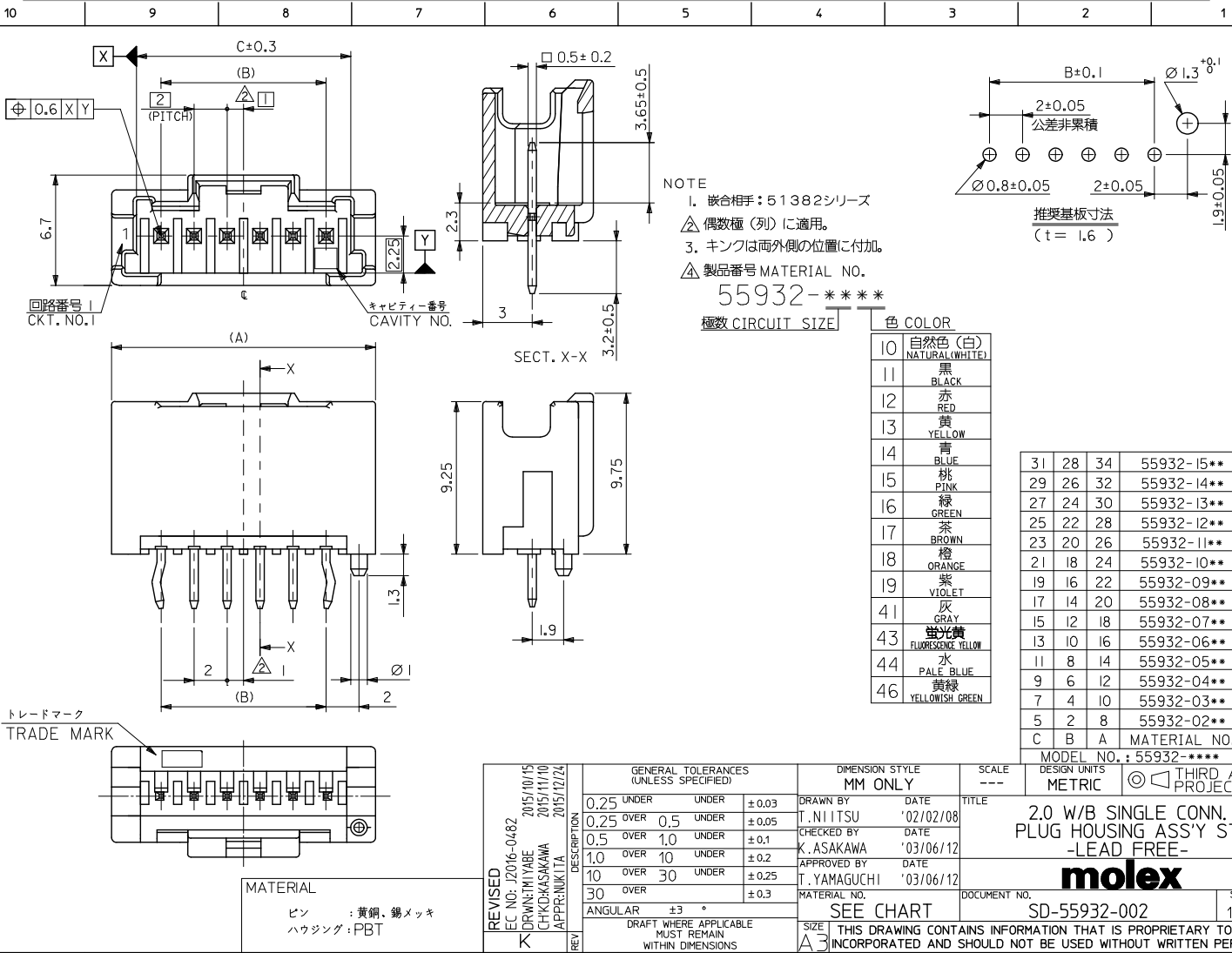
Stocking Distributor

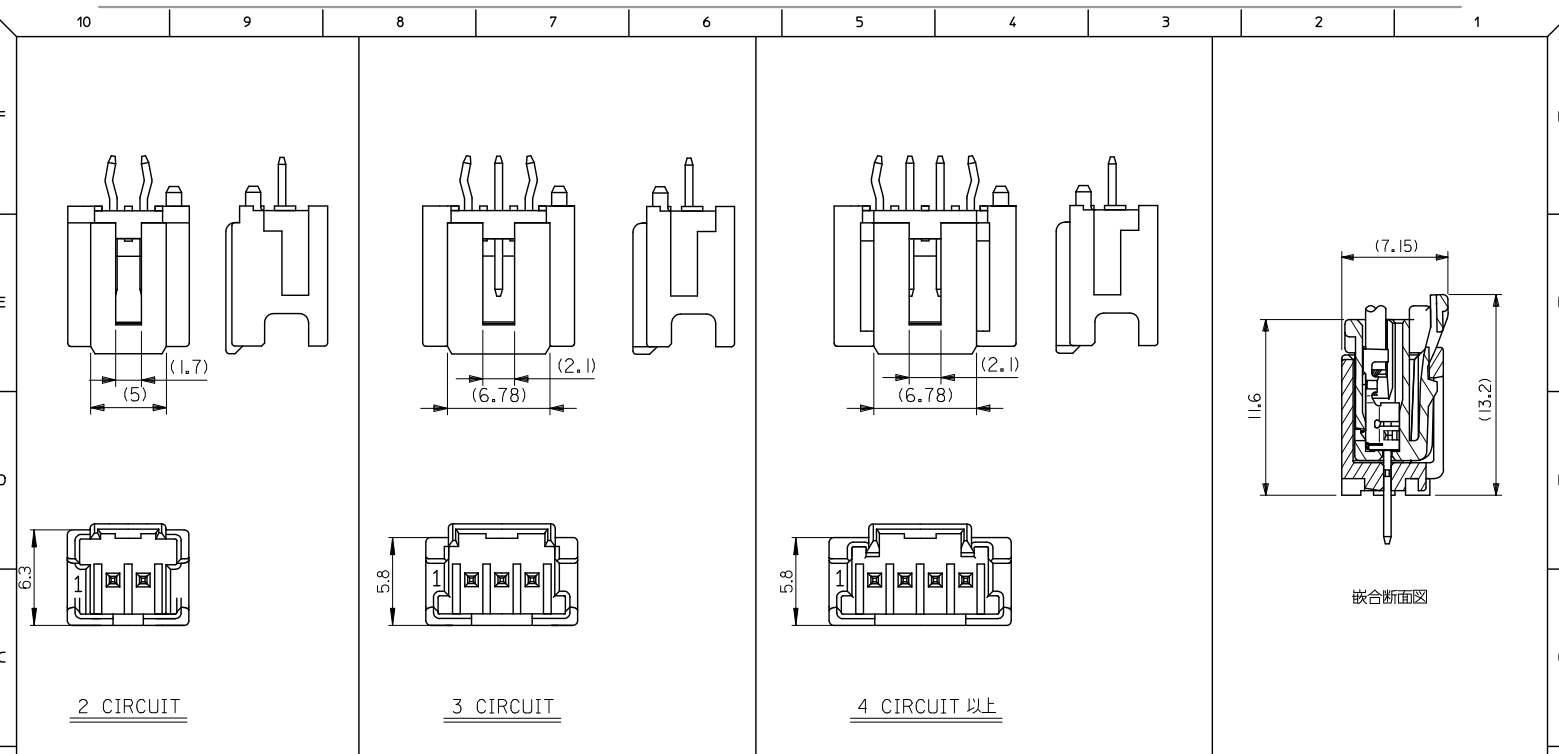
Click to view price, real time Inventory, Delivery & Lifecycle Information:

[Molex Connector Corporation](#)
[0559320610](#)

For any questions, you can email us directly:

sales@integrated-circuit.com





REVISED EC NO. J2016-0482 DRAWN: MIYABE 2015/10/09 CHKD: ASAKAWA 2015/11/10 APPR: NIKITA 2015/12/24	GENERAL TOLERANCES (UNLESS SPECIFIED)			DIMENSION STYLE MM ONLY		SCALE ---	DESIGN UNITS METRIC	MODEL NO. : 55932-****	
	0.25 UNDER	UNDER	±0.03	DRAWN BY	DATE	TITLE			
	0.25 OVER	0.5 UNDER	±0.05	T. NIITSU	'02/02/08	2.0 W/B SINGLE CONN. PLUG HOUSING ASS'Y ST -LEAD FREE-			
	0.5 OVER	1.0 UNDER	±0.1	CHECKED BY	DATE	molex			
1.0 OVER	10 UNDER	±0.2	K. ASAKAWA	'03/06/12	DOCUMENT NO.				
10 OVER	30 UNDER	±0.25	APPROVED BY	DATE	SD-55932-002				
30 OVER		±0.3	T. YAMAGUCHI	'03/06/12	SHEET NO.				
ANGULAR	±3 °		MATERIAL NO.		2 OF 2				
DRAFT WHERE APPLICABLE MUST REMAIN WITHIN DIMENSIONS			SEE SHEET 1		THIS DRAWING CONTAINS INFORMATION THAT IS PROPRIETARY TO MOLEX INCORPORATED AND SHOULD NOT BE USED WITHOUT WRITTEN PERMISSION				