

Excellent Integrated System Limited

Stocking Distributor

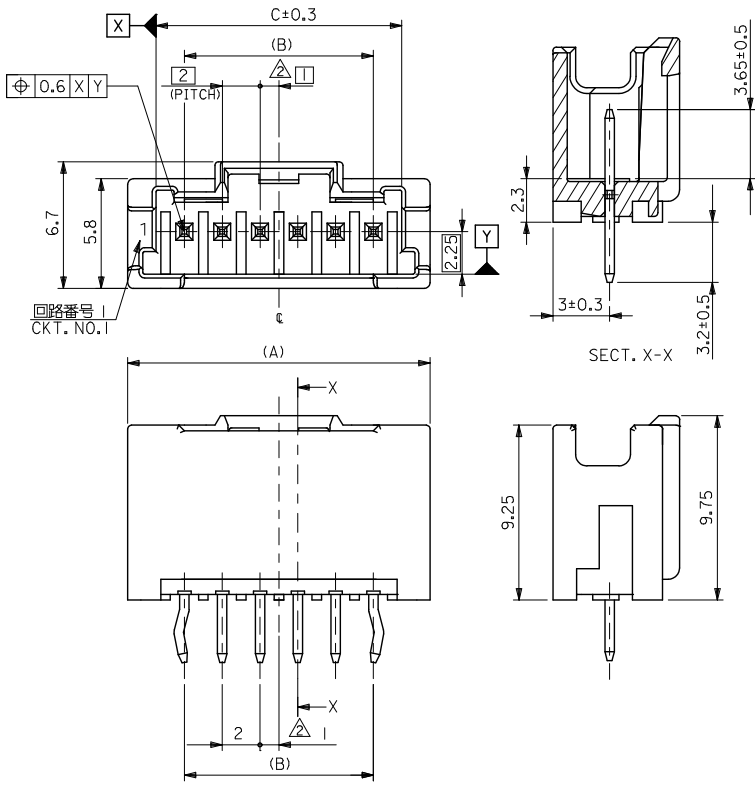
Click to view price, real time Inventory, Delivery & Lifecycle Information:

[Molex Connector Corporation](#)
[0559321130](#)

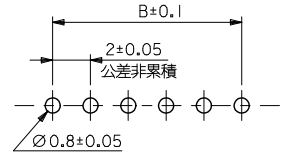
For any questions, you can email us directly:

sales@integrated-circuit.com

10 9 8 7 6 5 4 3 2 1



NOTE
 1. 嵌合相手: 51382-****
 2. 偶数種 (列) に適用。
 3. キングは両外側の位置に付加。
 4. 製品番号 MATERIAL NO.
 55932-****
 極数 CIRCUIT SIZE
 5. 材質
 ピン : 黄銅
 ハウジング : PBT
 6. めっき
 錫めっき
 下地 : ニッケルめっき



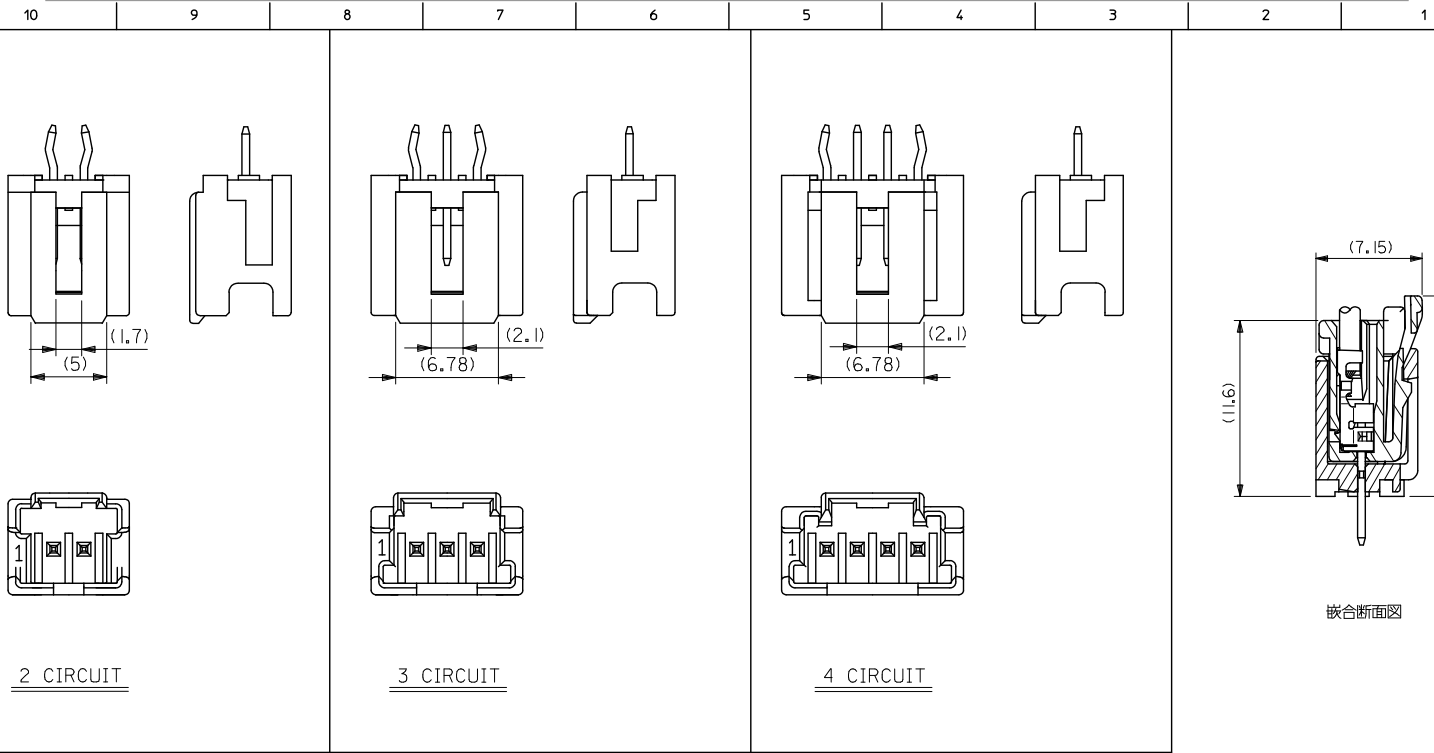
推奨基板寸法
(t = 1.6)

色 COLOR	極数 CIRCUIT SIZE
30 自然色 (白) NATURAL (WHITE)	
31 黒 BLACK	
32 赤 RED	
33 黄 YELLOW	
34 青 BLUE	
35 桃 PINK	
36 緑 GREEN	
37 茶 BROWN	
38 橙 ORANGE	
39 紫 VIOLET	
51 灰 GRAY	
53 蛍光黄 FLUORESCENT YELLOW	
54 水 PALE BLUE	
55 蛍光桃 FLUORESCENT PINK	
56 黄緑 YELLOWISH GREEN	
58 蛍光橙 FLUORESCENT ORANGE	

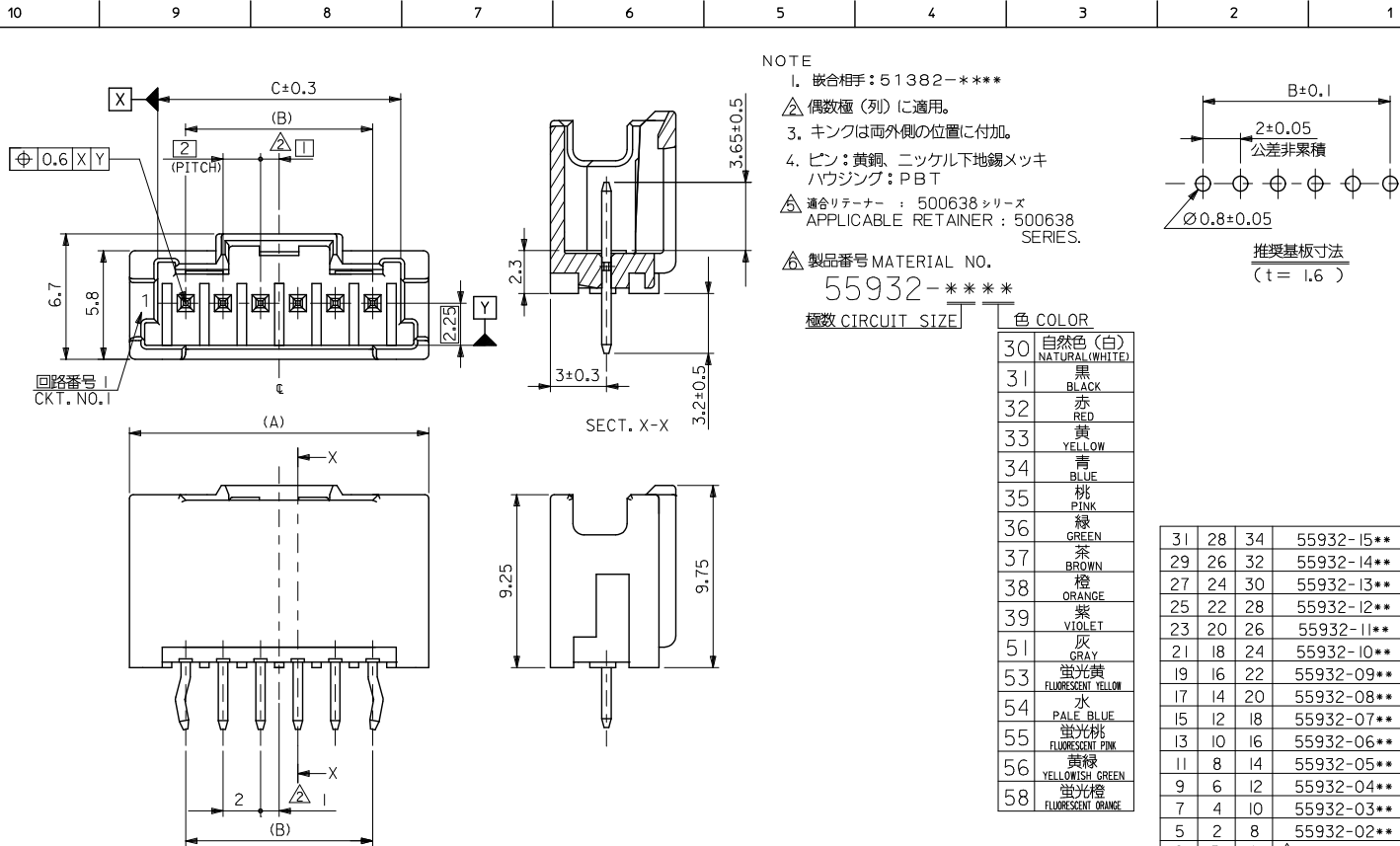
31	28	34	55932-15**	15
29	26	32	55932-14**	14
27	24	30	55932-13**	13
25	22	28	55932-12**	12
23	20	26	55932-11**	11
21	18	24	55932-10**	10
19	16	22	55932-09**	9
17	14	20	55932-08**	8
15	12	18	55932-07**	7
13	10	16	55932-06**	6
11	8	14	55932-05**	5
9	6	12	55932-04**	4
7	4	10	55932-03**	3
5	2	8	55932-02**	2

REVISED EC NO: J2015-0937 DRAWN: MATSUYAMA CHK: KASAKAWA APPR: NIKITA 2015/10/05 2015/10/05 2015/10/26	GENERAL TOLERANCES (UNLESS SPECIFIED)		DIMENSION STYLE		SCALE	DESIGN UNITS	THIRD ANGLE PROJECTION
	0.25 UNDER ±0.03		MM ONLY		---	METRIC	◎ □
	0.25 OVER	0.5 UNDER ±0.05	DRAWN BY DATE		TITLE		
	0.5 OVER	1.0 UNDER ±0.1	T. NIITSU '02/02/08		2.0 W/B CONN. PLUG HOUSING ASS'Y ST -LEAD FREE-		
	1.0 OVER	10 UNDER ±0.2	CHECKED BY DATE		molex		
10 OVER	30 UNDER ±0.25	K. ASAKAWA '03/06/12		DOCUMENT NO. SD-55932-006			
30 OVER	±0.3	APPROVED BY DATE		SHEET NO. 1 OF 2			
ANGULAR	±3 °	T. YAMAGUCHI '03/06/12		THIS DRAWING CONTAINS INFORMATION THAT IS PROPRIETARY TO MOLEX INCORPORATED AND SHOULD NOT BE USED WITHOUT WRITTEN PERMISSION			
DRAFT WHERE APPLICABLE MUST REMAIN WITHIN DIMENSIONS		MATERIAL NO.		SEE CHART			
		SIZE A3					

10 9 8 7 6 5 4 3 2 1



REVISED EC NO: J2015-0937 DRAWN BY: DRINKAMATSUYAMA 2015/10/05 CHECKED BY: CHIKIDAKAKAWA 2015/10/05 APPROVED BY: APPR:NIKIITA 2015/10/26	GENERAL TOLERANCES (UNLESS SPECIFIED)		DIMENSION STYLE		SCALE	DESIGN UNITS	THIRD ANGLE PROJECTION	
	(UNLESS SPECIFIED)		MM ONLY		---	METRIC		
	0.25 UNDER	±0.03	DRAWN BY	DATE	TITLE			
	0.25 OVER	0.5 UNDER	±0.05	T.NIITSU	'02/02/08	2.0 W/B CONN. PLUG HOUSING ASS'Y ST -LEAD FREE-		
	0.5 OVER	1.0 UNDER	±0.1	CHECKED BY	DATE	molex		
1.0 OVER	10 UNDER	±0.2	K.ASAKAWA	'03/06/12	DOCUMENT NO.			
10 OVER	30 UNDER	±0.25	APPROVED BY	DATE	SD-55932-006			
30 OVER		±0.3	T.YAMAGUCHI	'03/06/12	SHEET NO.			
ANGULAR	±3 °	MATERIAL NO.		SEE SHEET 1				
DRAFT WHERE APPLICABLE MUST REMAIN WITHIN DIMENSIONS		SIZE	THIS DRAWING CONTAINS INFORMATION THAT IS PROPRIETARY TO MOLEX INCORPORATED AND SHOULD NOT BE USED WITHOUT WRITTEN PERMISSION					
		A3						

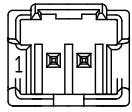
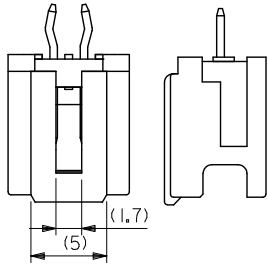


NOTE
 1. 嵌合相手: 51382-****
 2. 偶数極 (列) に適用。
 3. キングは両外側の位置に付加。
 4. ピン: 黄銅, ニッケル下地鍍メッキ
 ハウジング: PBT
 適合リテーナー: 500638シリーズ
 APPLICABLE RETAINER: 500638 SERIES.
 製品番号 MATERIAL NO.
 55932-****
 極数 CIRCUIT SIZE

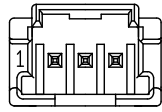
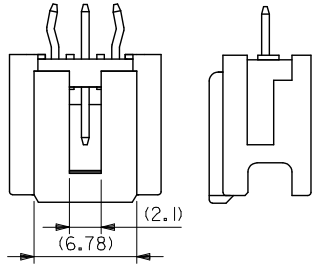
色 COLOR
30 自然色 (白) NATURAL (WHITE)
31 黒 BLACK
32 赤 RED
33 黄 YELLOW
34 青 BLUE
35 桃 PINK
36 緑 GREEN
37 茶 BROWN
38 橙 ORANGE
39 紫 VIOLET
51 灰 GRAY
53 蛍光黄 FLUORESCENT YELLOW
54 水 PALE BLUE
55 蛍光桃 FLUORESCENT PINK
56 黄緑 YELLOWISH GREEN
58 蛍光橙 FLUORESCENT ORANGE

31	28	34	55932-15**	15
29	26	32	55932-14**	14
27	24	30	55932-13**	13
25	22	28	55932-12**	12
23	20	26	55932-11**	11
21	18	24	55932-10**	10
19	16	22	55932-09**	9
17	14	20	55932-08**	8
15	12	18	55932-07**	7
13	10	16	55932-06**	6
11	8	14	55932-05**	5
9	6	12	55932-04**	4
7	4	10	55932-03**	3
5	2	8	55932-02**	2

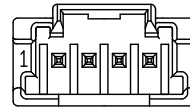
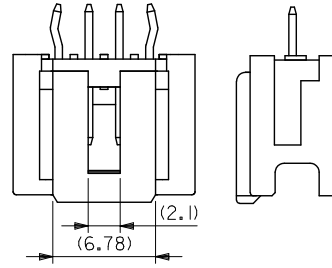
REVISED EC NO. J2016-0482 2015/10/15 DRWN: MIYABE 2015/11/10 CHKD: KAKAWA 2015/11/10 APPR: NUKITA 2015/12/24	GENERAL TOLERANCES (UNLESS SPECIFIED)		DIMENSION STYLE MM ONLY		SCALE ---	DESIGN UNITS METRIC	MODEL NO.: 55932-****	MATERIAL NO.	CTKT.
	0.25 UNDER	UNDER	±0.03	DRAWN BY	DATE	TITLE	2.0 W/B CONN.PLUG HOUSING ASS'Y WO BOSS -LEAD FREE- molex SD-55932-007	DOCUMENT NO.	SHEET NO. 1 OF 2
	0.25 OVER	0.5 UNDER	±0.05	YMAEDA	2005/06/13				
	0.5 OVER	1.0 UNDER	±0.1	CHECKED BY	DATE				
1.0 OVER	10 UNDER	±0.2	MTANAKA	2005/06/13					
10 OVER	30 UNDER	±0.25	APPROVED BY	DATE					
30 OVER		±0.3	NUKITA	2005/06/13					
ANGULAR	±3°		SEE CHART						
DRAFT WHERE APPLICABLE MUST REMAIN WITHIN DIMENSIONS			SIZE	THIS DRAWING CONTAINS INFORMATION THAT IS PROPRIETARY TO MOLEX INCORPORATED AND SHOULD NOT BE USED WITHOUT WRITTEN PERMISSION					



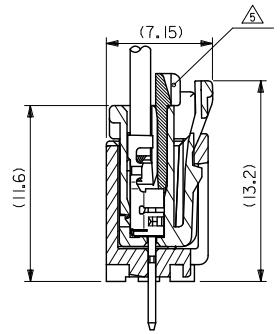
2 CIRCUIT



3 CIRCUIT



4 CIRCUIT



嵌合断面図

REVISED IEC NO. J2016-0482 DRAWN: MIYABE 2015/10/13 CHIKUDASAKAWA 2015/11/10 APPROVED: NUKITA 2015/12/24	GENERAL TOLERANCES (UNLESS SPECIFIED)		DIMENSION STYLE		SCALE	DESIGN UNITS	MODEL NO. : 55932-****
			MM ONLY		---	METRIC	THIRD ANGLE PROJECTION
	0.25 UNDER	UNDER	±0.03	DRAWN BY	DATE	TITLE	
	0.25 OVER	0.5 UNDER	±0.05	YMAEDA	2005/06/13	2.0 W/B CONN.PLUG HOUSING ASS'Y WO BOSS -LEAD FREE-	
0.5 OVER	1.0 UNDER	±0.1	CHECKED BY	DATE	DOCUMENT NO.		
1.0 OVER	10 UNDER	±0.2	MTANAKA	2005/06/13	SD-55932-007		
10 OVER	30 UNDER	±0.25	APPROVED BY	DATE	SHEET NO.		
30 OVER		±0.3	NUKITA	2005/06/13	2 OF 2		
ANGULAR	±3 °		MATERIAL NO.		SEE SHEET 1		
DRAFT WHERE APPLICABLE MUST REMAIN WITHIN DIMENSIONS			SIZE	THIS DRAWING CONTAINS INFORMATION THAT IS PROPRIETARY TO MOLEX INCORPORATED AND SHOULD NOT BE USED WITHOUT WRITTEN PERMISSION			
			A3				