

Excellent Integrated System Limited

Stocking Distributor

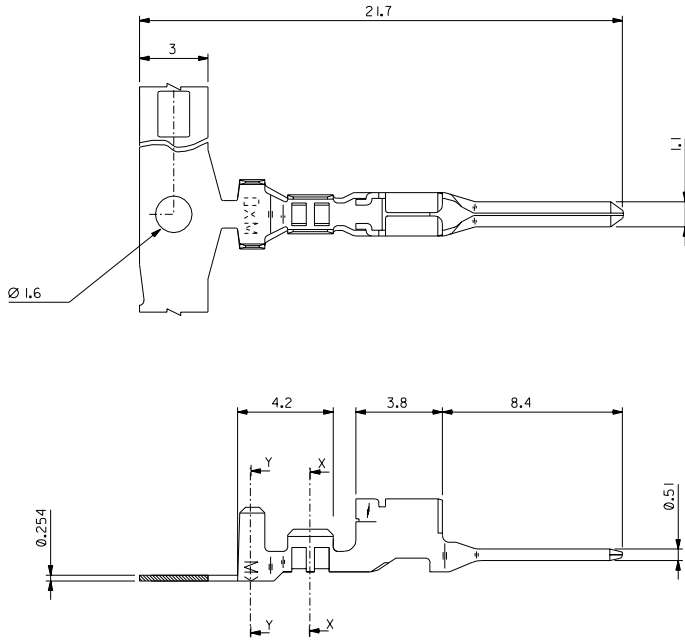
Click to view price, real time Inventory, Delivery & Lifecycle Information:

[Molex Connector Corporation](#)
[0562798000](#)

For any questions, you can email us directly:

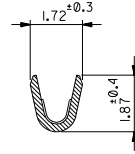
sales@integrated-circuit.com

DWG. NO. SD-56279-001

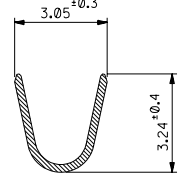


注記
NOTES

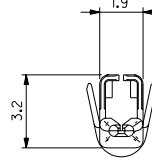
1. 使用材料 : リン青銅、銅メッキ (t=0.254)
MATERIAL : PRE-TINNED PHOSPHOR BRONZE (t=0.254)
2. 適合ハウジング : 51346シリーズ
APPLICABLE HOUSING : 51346 SERIES



SECT. X-X



SECT. Y-Y



56279-8100	バラ状 LOOSE
56279-8000	連続状 CHAIN
MATERIAL NO.	端子形状 FORM

DO NOT SCALE DRAWING

E82NO. DRAWN: CHK: APPR:		E83NO. DRAWN: CHK: APPR:		E82NO. DRAWN: CHK: APPR:		E81NO. DRAWN: CHK: APPR:		E80NO. J2003-2363 DRAWN: H.II 03/03/14 CHK: K.ASAKAWA APPR: T.YAMAGUCHI		MATERIAL 材料 注記参照 SEE NOTES		GENERAL TOLERANCES: (UNLESS SPECIFIED) 一般公差		SCALE 1:1		DESIGN UNITS 公称単位 mm INCH		MODEL NO. 56279-8*00		DIMENSIONS: 寸法 mm INCH		SHT 1 OF 1		REV			
E84NO. DRAWN: CHK: APPR:		E83NO. DRAWN: CHK: APPR:		E82NO. DRAWN: CHK: APPR:		E81NO. DRAWN: CHK: APPR:		E80NO. J2003-2363 DRAWN: H.II 03/03/14 CHK: K.ASAKAWA APPR: T.YAMAGUCHI		FINISH 仕上り //		10 UNDER 未満 +0.2		DRAWN BY & DATE H.II 03/03/14		TITLE: 3.3 mm WIRE TO WIRE CONN. PLUG TERMINAL		MOLEX INCORPORATED		MATERIAL NO. SEE CHART		DRAWING NO. SD-56279-001		SHEET NO. 1 OF 1		SIZE B	
E84NO. DRAWN: CHK: APPR:		E83NO. DRAWN: CHK: APPR:		E82NO. DRAWN: CHK: APPR:		E81NO. DRAWN: CHK: APPR:		E80NO. J2003-2363 DRAWN: H.II 03/03/14 CHK: K.ASAKAWA APPR: T.YAMAGUCHI		WIRE RANGE 適用電線範囲 AWG #22 - #26		10 OVER 以上 30 UNDER 未満 +0.25		CHECKED BY & DATE K.ASAKAWA 03/03/14		APPROVED BY & DATE T.YAMAGUCHI 03/03/14		MATERIAL NO. SEE CHART		DRAWING NO. SD-56279-001		SHEET NO. 1 OF 1		SIZE B			
E84NO. DRAWN: CHK: APPR:		E83NO. DRAWN: CHK: APPR:		E82NO. DRAWN: CHK: APPR:		E81NO. DRAWN: CHK: APPR:		E80NO. J2003-2363 DRAWN: H.II 03/03/14 CHK: K.ASAKAWA APPR: T.YAMAGUCHI		INS. RANGE 接覆外径 Ø 1.7MAX.		30 OVER 以上 +0.3		CAD FILENAME SD56279001.S01		MATERIAL NO. SEE CHART		DRAWING NO. SD-56279-001		SHEET NO. 1 OF 1		SIZE B					
E84NO. DRAWN: CHK: APPR:		E83NO. DRAWN: CHK: APPR:		E82NO. DRAWN: CHK: APPR:		E81NO. DRAWN: CHK: APPR:		E80NO. J2003-2363 DRAWN: H.II 03/03/14 CHK: K.ASAKAWA APPR: T.YAMAGUCHI		ANGLE 角度 ±3°		MATERIAL NO. SEE CHART		DRAWING NO. SD-56279-001		SHEET NO. 1 OF 1		SIZE B		EN-02J(097) MXJ-54							

SD56279001.00