



Distributor of Molex Connector Corporation: Excellent Integrated System Limited
Datasheet of 0579909810 - Connector Quick Connect Receptacle 14-20 AWG 0.187"
(4.75mm) Crimp

Contact us: sales@integrated-circuit.com Website: www.integrated-circuit.com

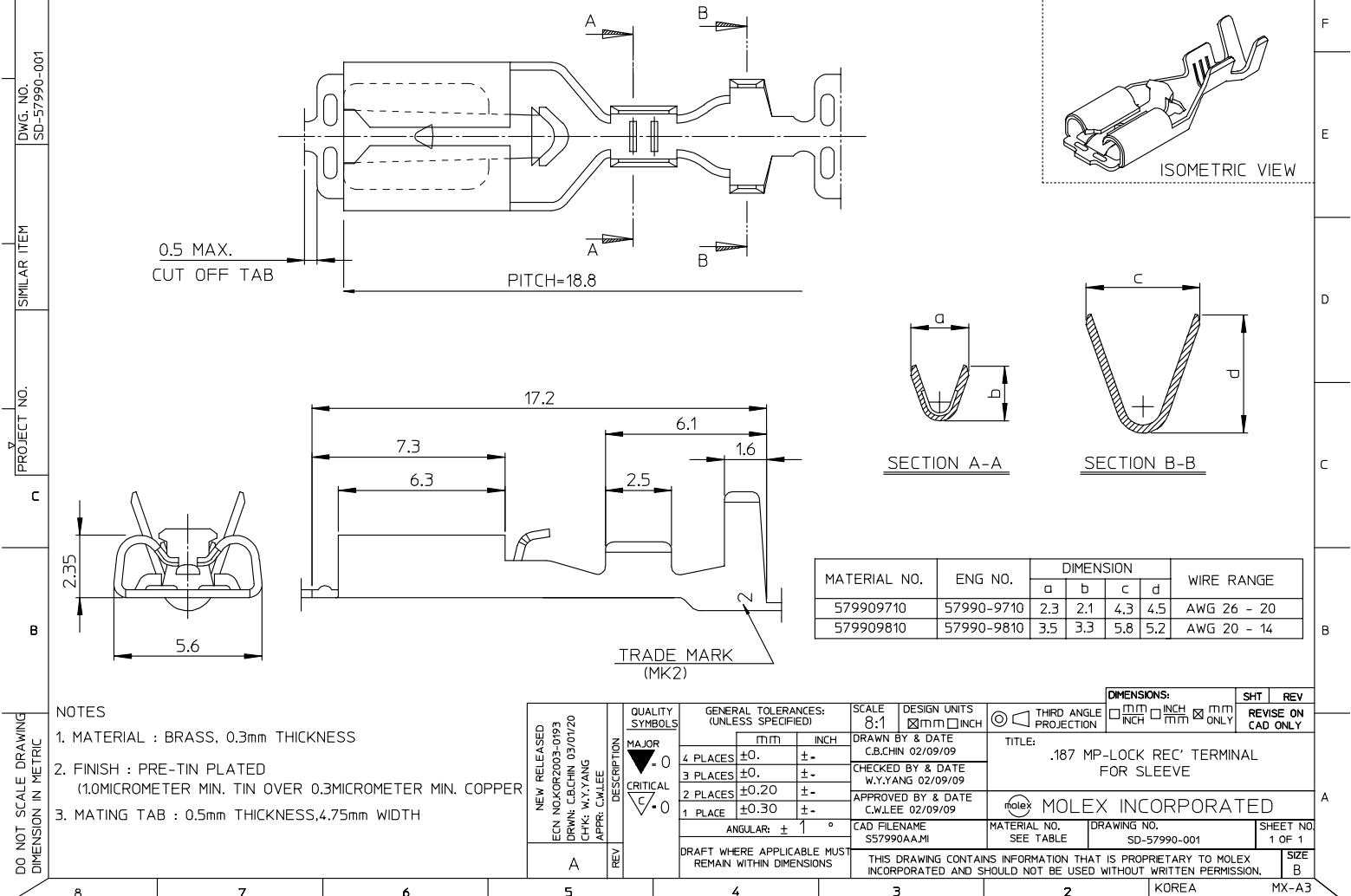
Excellent Integrated System Limited

Stocking Distributor

Click to view price, real time Inventory, Delivery & Lifecycle Information:

[Molex Connector Corporation](#)
[0579909810](#)

For any questions, you can email us directly:
sales@integrated-circuit.com



MATERIAL NO.	ENG NO.	DIMENSION				WIRE RANGE
		a	b	c	d	
579909710	57990-9710	2.3	2.1	4.3	4.5	AWG 26 - 20
579909810	57990-9810	3.5	3.3	5.8	5.2	AWG 20 - 14

- NOTES
- MATERIAL : BRASS, 0.3mm THICKNESS
 - FINISH : PRE-TIN PLATED
(1.0MICROMETER MIN. TIN OVER 0.3MICROMETER MIN. COPPER)
 - MATING TAB : 0.5mm THICKNESS, 4.75mm WIDTH

NEW RELEASED ECN NO:KOR2003-0193 DRWN: C.B.CHIN 02/09/09 CHK: W.Y.YANG APPR: C.W.LEE	QUALITY SYMBOLS MAJOR - 0 CRITICAL C/0	GENERAL TOLERANCES: (UNLESS SPECIFIED)		SCALE 8:1	DESIGN UNITS <input checked="" type="checkbox"/> mm <input type="checkbox"/> INCH	THIRD ANGLE PROJECTION <input checked="" type="checkbox"/> <input type="checkbox"/>	DIMENSIONS: <input type="checkbox"/> mm <input type="checkbox"/> INCH <input checked="" type="checkbox"/> mm ONLY	SHT	REV
		4 PLACES ±0.	±-	DRAWN BY & DATE C.B.CHIN 02/09/09	TITLE: .187 MP-Lock REC' TERMINAL FOR SLEEVE				REVISE ON CAD ONLY
		3 PLACES ±0.	±-	CHECKED BY & DATE W.Y.YANG 02/09/09	APPROVED BY & DATE C.W.LEE 02/09/09				
		2 PLACES ±0.20	±-	CAD FILENAME S57990AA.MI		MATERIAL NO. SEE TABLE	DRAWING NO. SD-57990-001	SHEET NO. 1 OF 1	
1 PLACE ±0.30	±-	ANGULAR: ± 1 °		MOLEX INCORPORATED					
DRAFT WHERE APPLICABLE MUST REMAIN WITHIN DIMENSIONS		THIS DRAWING CONTAINS INFORMATION THAT IS PROPRIETARY TO MOLEX INCORPORATED AND SHOULD NOT BE USED WITHOUT WRITTEN PERMISSION.							SIZE B