

Excellent Integrated System Limited

Stocking Distributor

Click to view price, real time Inventory, Delivery & Lifecycle Information:

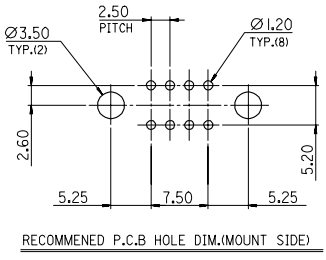
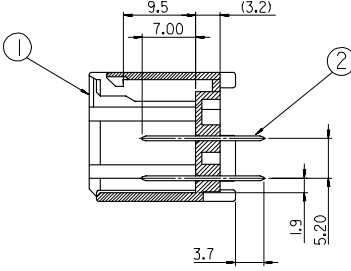
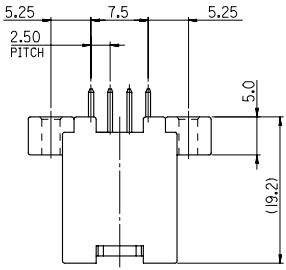
[Molex Connector Corporation](#)
[0681450811](#)

For any questions, you can email us directly:

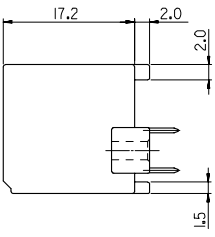
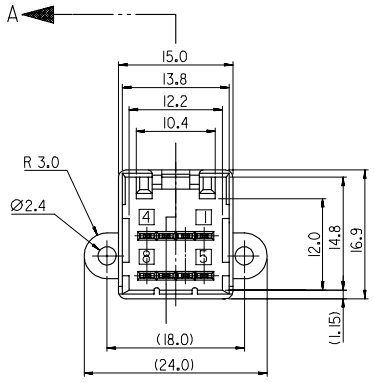
sales@integrated-circuit.com

PROJECT NO. SD-68145-208
 DWG. NO. SD-68145-208
 SIMILAR ITEM
 PROJECT NO.
 C
 B
 DO NOT SCALE DRAWING DIMENSION IN METRIC

NO.	PART NO.	COLOR
1	68145-0811	BLACK
2	68145-0815	GRAY
3	68145-0816	WHITE



SECTION A-A



NOTES
 1. APPLICABLE FEMALE HOUSING : 68508-081*

NO.	DESCRIPTION	MATERIAL	REMARK
①	HOUSING	PBT, G/F 15%	UL94HB
②	PIN	BRASS	PRE-TIN PLATED

ADDED OF PART ECN NO. KOR2006-0147 DRWN:EKIM 06/06/01 CHK:BC.YOON 06/06/01 APPR:SH-CHOI 06/06/01	QUALITY SYMBOLS MAJOR CRITICAL C	GENERAL TOLERANCES: (UNLESS SPECIFIED)		SCALE 2:1	DESIGN UNITS <input checked="" type="checkbox"/> mm <input type="checkbox"/> INCH	THIRD ANGLE PROJECTION	DIMENSIONS: <input type="checkbox"/> mm <input type="checkbox"/> INCH <input checked="" type="checkbox"/> mm ONLY	SMT <input type="checkbox"/>	REV <input type="checkbox"/>
		4 PLACES ±0. ±- 3 PLACES ±0. ±- 2 PLACES ±0.25 ±- 1 PLACE ±0.30 ±-	ANGULAR: ± 1°	DRAWN BY & DATE B.C.YOON 02/08/05	CHECKED BY & DATE Y.SIK.KIM 02/08/05	TITLE: .040 WIRE TO BOARD CONNECTOR 8P HEADER ASS'Y (VTL)		MOLEX INCORPORATED	
REV B	DRAFT WHERE APPLICABLE MUST REMAIN WITHIN DIMENSIONS	CAD FILENAME S681458C.DGN	MATERIAL NO. SEE TABLE	DRAWING NO. SD-68145-208	THIS DRAWING CONTAINS INFORMATION THAT IS PROPRIETARY TO MOLEX INCORPORATED AND SHOULD NOT BE USED WITHOUT WRITTEN PERMISSION.		KOREA	MX-A3	