

Excellent Integrated System Limited

Stocking Distributor

Click to view price, real time Inventory, Delivery & Lifecycle Information:

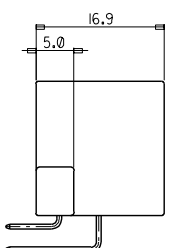
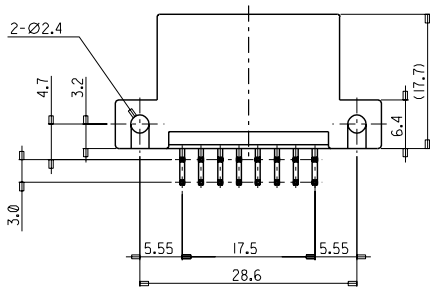
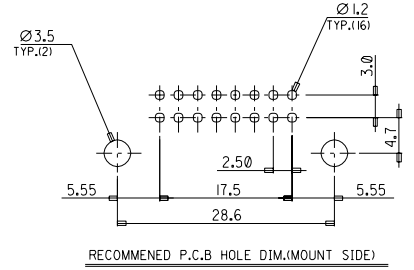
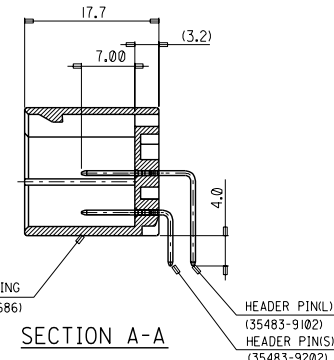
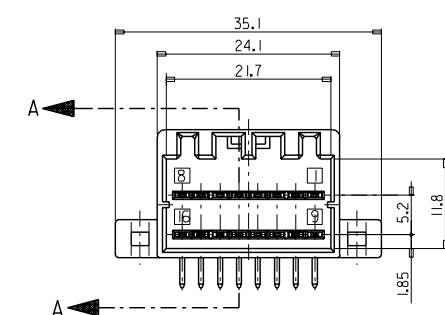
[Molex Connector Corporation](#)

[0681451625](#)

For any questions, you can email us directly:

sales@integrated-circuit.com

PROJECT NO. SD-68145-005
 SIMILAR ITEM
 DWG. NO. SD-68145-005
 DO NOT SCALE DRAWING DIMENSION IN METRIC



NOTES
 1. APPLICABLE FEMALE HOUSING : 35563-1615
 2. MATERIAL+HOUSING-POLYESTER (PBT),G/F 15%
 TERMINAL-BRASS, FINISH-TIN PLATING

NO.	PART NO.	PART NAME	MATERIAL	COLOR	REMARK
1	68145-1625	.040 W/B 16P HEADER ASS'Y	PBT, G/F 15%	GRAY	
2	68145-1626	.040 W/B 16P HEADER ASS'Y	PBT, G/F 15%	WHITE	

NEW RELEASED EC NO. KDR2002-0072 DRWN: B.C.YOON '02.2.6 CHK: Y.SIK.KIM APPR: C.W.LEE	QUALITY SYMBOLS MAJOR CRITICAL C	GENERAL TOLERANCES: (UNLESS SPECIFIED)		SCALE 2:1	DESIGN UNITS <input checked="" type="checkbox"/> MM <input type="checkbox"/> INCH	DIMENSIONS: <input type="checkbox"/> MM <input type="checkbox"/> INCH <input checked="" type="checkbox"/> MM ONLY	SHT REV	
		4 PLACES ±0.	3 PLACES ±0.	2 PLACES ±0.20	1 PLACE ±0.30	DRAWN BY & DATE Y.SIK.KIM 99.04.29	TITLE: 040 W/B 16P HEADER ASS'Y(R/A)	
		ANGULAR ± 1°				CHECKED BY & DATE B.K.CHOI 99.04.29	MOLEX INCORPORATED	
		DRAFT WHERE APPLICABLE MUST REMAIN WITHIN DIMENSIONS				APPROVED BY & DATE C.W.LEE 99.04.30	CAD FILENAME s6814525.dgn	MATERIAL NO. 681451625

THIS DRAWING CONTAINS INFORMATION THAT IS PROPRIETARY TO MOLEX INCORPORATED AND SHOULD NOT BE USED WITHOUT WRITTEN PERMISSION.