

Excellent Integrated System Limited

Stocking Distributor

Click to view price, real time Inventory, Delivery & Lifecycle Information:

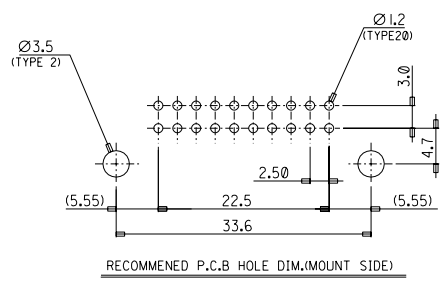
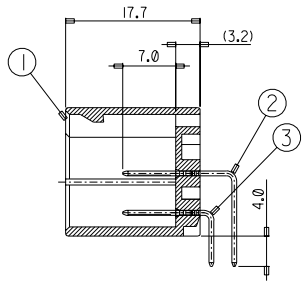
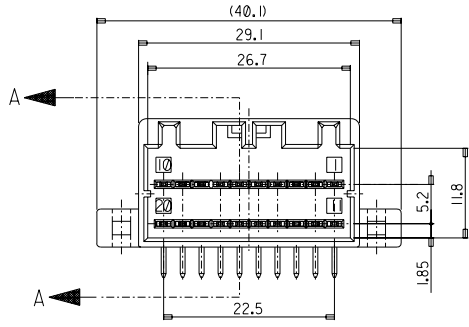
[Molex Connector Corporation](#)
[0681512025](#)

For any questions, you can email us directly:

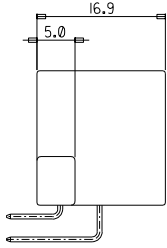
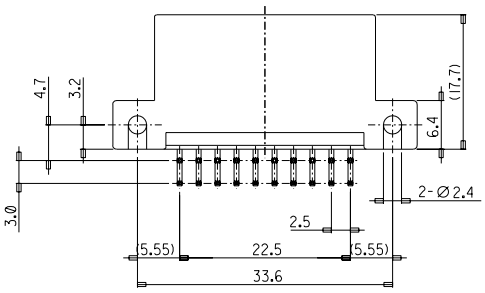
sales@integrated-circuit.com

NO.	PART NO.	COLOR
1	68151-2025	GRAY
2	68151-2026	WHITE

DWG. NO. SD-68151-002
 SIMILAR ITEM
 PROJECT NO.
 C
 B
 DO NOT SCALE DRAWING DIMENSION IN METRIC



SECT.A-A



NOTES

1. APPLICABLE FEMALE HOUSING : 35564-201
2. MATERIAL: SEE TABLE

NO.	DESCRIPTION	MATERIAL	REMARK
1	HOUSING	PBT	UL94HB
2	PIN(L)	BRASS	PRE-TIN PLATED
3	PIN(S)		

NEW RELEASED EC NO. KOR2003-028 DRAWN: B.C.YOON 02/11/28 CHK: Y.SIK,KIM APPR: C.W.LEE	QUALITY SYMBOLS MAJOR CRITICAL C	GENERAL TOLERANCES: (UNLESS SPECIFIED)		SCALE 2:1	DESIGN UNITS <input checked="" type="checkbox"/> mm <input type="checkbox"/> INCH	THIRD ANGLE PROJECTION <input checked="" type="checkbox"/>	DIMENSIONS: <input type="checkbox"/> mm <input type="checkbox"/> INCH <input checked="" type="checkbox"/> mm ONLY		SHT	REV	
		4 PLACES ±0.	3 PLACES ±0.	2 PLACES ±0.25	1 PLACE ±0.30	DRAWN BY & DATE Y.SIK,KIM 99/04/29		TITLE: 040 WIRE TO BOARD CONNECTOR 20P HEADER ASS'Y (R/A-TYPE)			
		ANGULAR: ± 1 °				CHECKED BY & DATE B.K.CHOI 99/04/29		MOLEX INCORPORATED			
		DRAFT WHERE APPLICABLE MUST REMAIN WITHIN DIMENSIONS				APPROVED BY & DATE C.W.LEE 99/04/30		CAD FILENAME sd68151a.dgn	MATERIAL NO. 681512025	DRAWING NO. SD-68151-002	SHEET NO. 1 OF 1

THIS DRAWING CONTAINS INFORMATION THAT IS PROPRIETARY TO MOLEX INCORPORATED AND SHOULD NOT BE USED WITHOUT WRITTEN PERMISSION.