

Excellent Integrated System Limited

Stocking Distributor

Click to view price, real time Inventory, Delivery & Lifecycle Information:

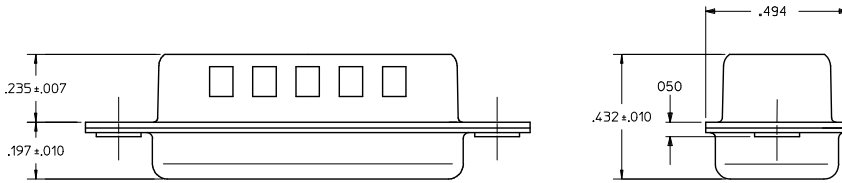
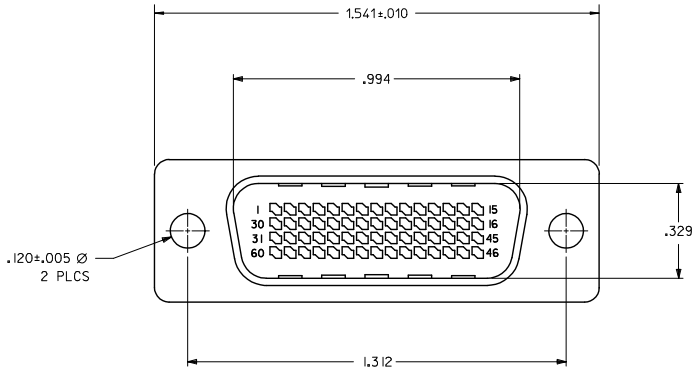
[Molex Connector Corporation](#)
[0709292009](#)

For any questions, you can email us directly:

sales@integrated-circuit.com

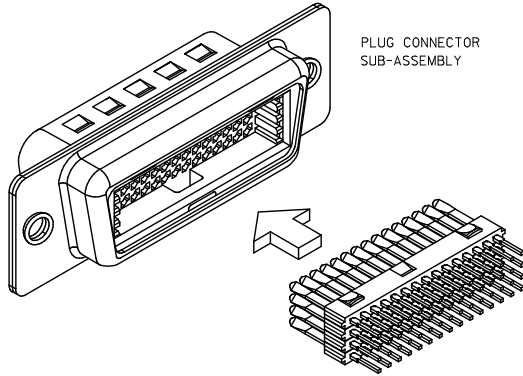
NOTES:

- 1) PLASTIC HOUSING:
GLASS FILLED LCP (LIQUID CRYSTAL POLYMER), UL 94 V-O, COLOR: BLACK.
- 2) FRONT SHELL:
DEEP DRAWN STEEL, .020" THICK;
PLATING: SEE TABLE
BRIGHT TIN: 150-250 MICRONS BRIGHT TIN OVER
50-150 MICRONS NICKEL OVER COPPER FLASH
OVERALL (OPTIONAL).
BRIGHT NICKEL: 100-175 MICRONS BRIGHT NICKEL OVER
50 MICRONS MAXIMUM COPPER OVERALL.
- 3) BACK SHELL:
DEEP DRAWN STEEL, .016" THICK;
PLATING: 150-250 MICRONS BRIGHT TIN OVER 50-150 MICRONS NICKEL
OVER COPPER FLASH OVERALL (OPTIONAL).
- 4) THIS CONNECTOR CONFORMS TO PRODUCT SPECIFICATION PS-70928.
- 5) PACKAGING SPECIFICATION PK-70873-0236 APPLIES.
- 6) SEE APPLICATION SPECIFICATION PS-70929 FOR ASSEMBLY AND TERMINATION DETAILS.
- 7) INSERT-MOLDED TERMINAL STRIP ASSEMBLIES ARE SUPPLIED
SEPARATELY (SEE SHEET 2 FOR ORDERING INFORMATION).



PART NO.	PRODUCT DESCRIPTION	FRONT SHELL PLATING
70929-2000	60 CKT. I/O PLUG CONNECTOR SUB-ASSEMBLY	BRIGHT TIN
70929-2009	60 CKT. I/O PLUG CONNECTOR SUB-ASSEMBLY	BRIGHT NICKEL

ADD TOLERANCES EC NO: UCP2014-2/67 DRAWN BY: J CHECKED BY: J APPR: SMILLER DATE: 2013/11/18 DATE: 2013/11/18 DATE: 2013/12/16	QUALITY SYMBOLS ∇=0 ∇=0 ∇=0	GENERAL TOLERANCES (UNLESS SPECIFIED)		DIMENSION STYLE INCH ONLY		SCALE 4:1	DESIGN UNITS INCH	THIRD ANGLE PROJECTION	
		4 PLACES ± --- ± ---	mm	INCH	DRAWN BY	DATE	TITLE SALES ASSEMBLY LFH 60CKT I/O PLUG FOR CABLE ASSEMBLIES molex DOCUMENT NO. SDA-70929-20** SHEET NO. 1 OF 2		
		3 PLACES ± --- ± .005			CHECKED BY	DATE			
		2 PLACES ± --- ± .01			APPROVED BY	DATE			
1 PLACE ± --- ± ---			SMILLER	2011/07/12					
0 PLACE ± ±			ANGULAR ± 1/2°		MATERIAL NO.		DOCUMENT NO.		
DRAFT WHERE APPLICABLE MUST REMAIN WITHIN DIMENSIONS			SEE CHART		THIS DRAWING CONTAINS INFORMATION THAT IS PROPRIETARY TO MOLEX INCORPORATED AND SHOULD NOT BE USED WITHOUT WRITTEN PERMISSION				



PLUG CONNECTOR
SUB-ASSEMBLY

INSERT MOLDED TERMINAL STICKS
SUPPLIED SEPARATELY
SEE SALES DRAWING: SDA-70984-100*
NOTE: STICKS SHOWN WITH CARRIER REMOVED

SEE SHEET 1 EC NO: UCF2014-2167 DRAWN BY: PIPPLE 2013/11/18 CHKD BY: JORDAN 2013/11/18 APPR: SMILLER 2013/12/16	QUALITY SYMBOLS ▽=0 ▽=0 ▽=0	GENERAL TOLERANCES (UNLESS SPECIFIED)		DIMENSION STYLE INCH ONLY		SCALE 4:1	DESIGN UNITS INCH	THIRD ANGLE PROJECTION	
		mm	INCH	DRAWN BY	DATE	TITLE SALES ASSEMBLY LFH 60CKT I/O PLUG FOR CABLE ASSEMBLIES			
		4 PLACES ±	---	---	MOS	1993/05/11	molex MATERIAL NO. DOCUMENT NO. SHEET NO. SEE SHHET 1 SDA-70929-20** 2 OF 2		
		3 PLACES ±	---	±.005	CHECKED BY	DATE			
		2 PLACES ±	---	±.01	O'SULLIVAN	1993/05/11			
		1 PLACE ±	---	±	APPROVED BY	DATE			
		0 PLACE ±	---	±	SMILLER	2011/07/12			
		ANGULAR ±1/2°		MATERIAL NO.		DOCUMENT NO.		SHEET NO.	
		DRAFT WHERE APPLICABLE MUST REMAIN WITHIN DIMENSIONS		SIZE		THIS DRAWING CONTAINS INFORMATION THAT IS PROPRIETARY TO MOLEX INCORPORATED AND SHOULD NOT BE USED WITHOUT WRITTEN PERMISSION			