



Distributor of Molex Connector Corporation: Excellent Integrated System Limited
Datasheet of 0716242004 - D-Sub Connector Plug, Male Pins 160 Position Panel Mount,
Through Hole, Right Angle Solder

Contact us: sales@integrated-circuit.com Website: www.integrated-circuit.com

Excellent Integrated System Limited

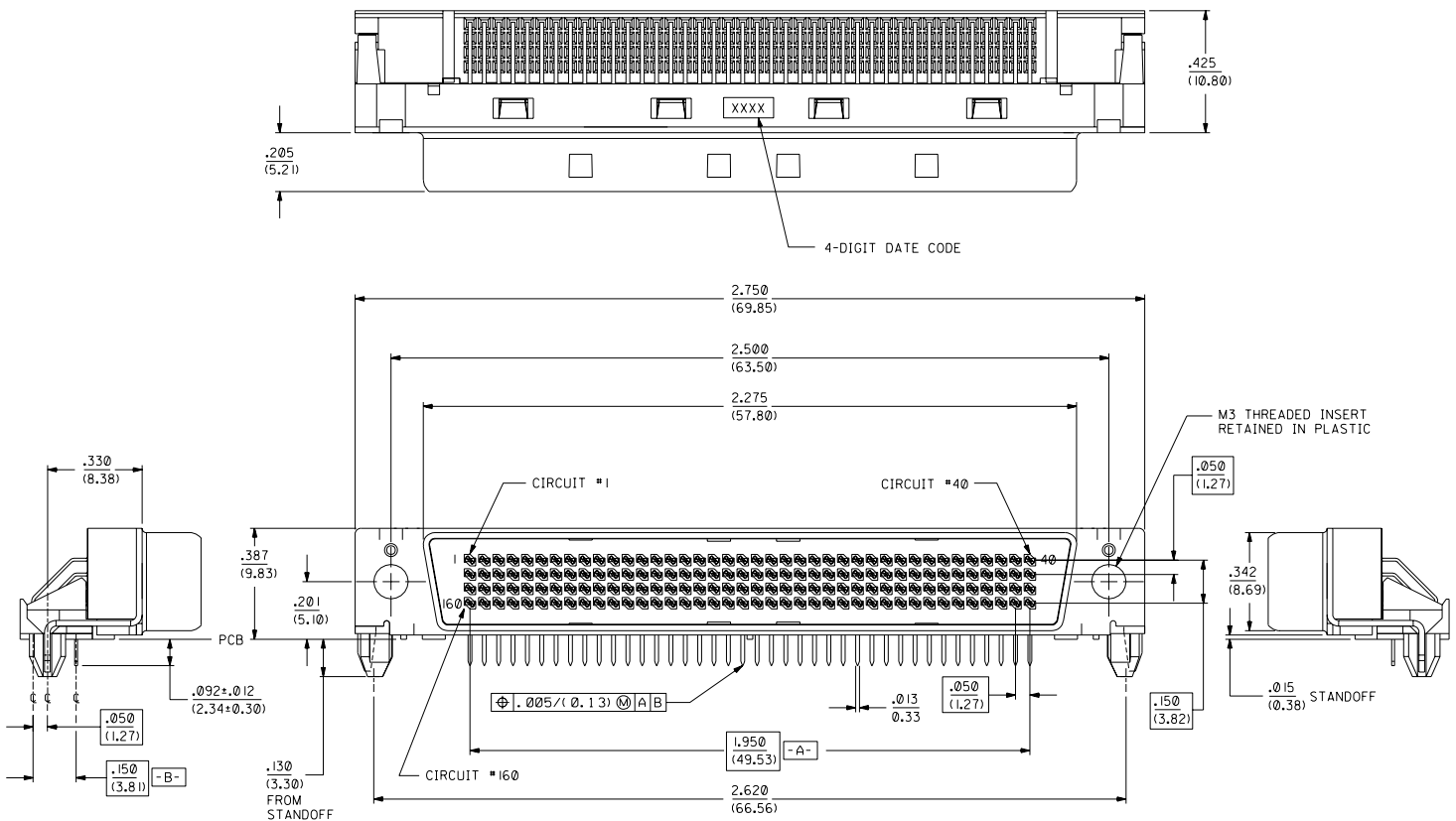
Stocking Distributor

Click to view price, real time Inventory, Delivery & Lifecycle Information:

[Molex Connector Corporation](#)
[0716242004](#)

For any questions, you can email us directly:
sales@integrated-circuit.com

Contact us: sales@integrated-circuit.com Website: www.integrated-circuit.com



PART NUMBER	ITEM NUMBER	M3 THREADED INSERT
SDA-71624-2000	051-25-1040	YES
SDA-71624-2004	71624-2004	NO

MFG. SKL. REV.		REVISIONS		REVISIONS		REVISIONS		REVISIONS	

DIMENSIONS SHOWN (METRIC) INCH UNLESS OTHERWISE SPECIFIED		TITLE	
3 PLACE ± .010	---	▽ - 0	REVISE ONLY ON CAD SYSTEM
2 PLACE ± ---	---	.050" PITCH LFH 160 CKT. RIGHT ANGLE I/O MALE SALES ASSEMBLY	
1 PLACE ---	---	MOLEX INCORPORATED	
DRAFT WHEN APPLICABLE MUST REMAIN WITH DIMENSIONS		PART NO. SDA-71624-2004	
DRG. CAB. CHG. DT. SCALE 4:1		SHEET NO. 1 OF 2	
APP'D. BY		DATE 9/11/91	
		FILE NAME ST82421.DWG	
		TITLE CD	

NOTES:

1) MATERIALS:

HOUSING: GLASS FILLED LCP (LIQUID CRYSTAL POLYMER),
 UL 94V-0, COLOR: BLACK.
 TAIL ALIGNER: GLASS FILLED LCP (LIQUID CRYSTAL POLYMER)
 UL 94V-0, COLOR: BLACK.
 MOLDED STICK: GLASS FILLED LCP (LIQUID CRYSTAL POLYMER)
 UL 94V-0, COLOR: BLACK.
 MALE CONTACT: PHOS. BRONZE .012±.0005 THICK.
 OUTER SHELL: LOW CARBON STEEL.
 THREADED INSERT: BRASS.

2) PLATING :

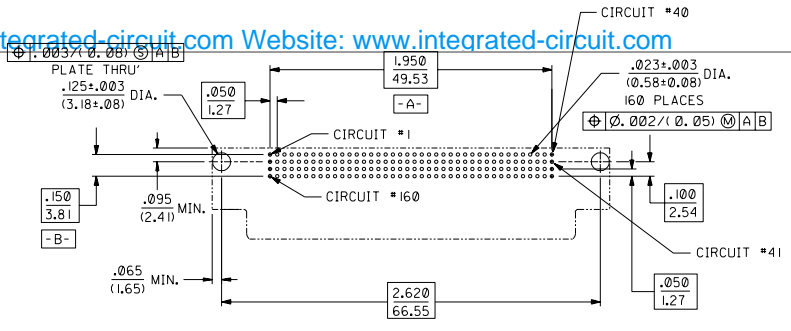
TERMINAL: .000030/(0.00076) MINIMUM GOLD IN SELECTIVE AREA;
 .000100/(0.00254) TIN IN SELECTIVE AREA;
 OVER NICKEL UNDERPLATE OVERALL.

OUTER SHELL: .000150/(0.00381) MINIMUM TIN OVER
 .000050/(0.00127) MINIMUM NICKEL OVER
 COPPER FLASH (OPTIONAL).

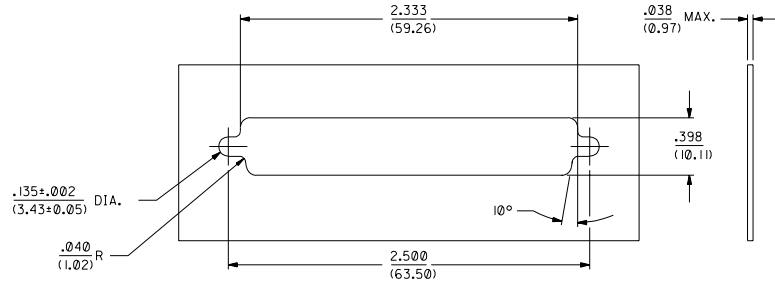
3) THIS PART CONFORMS TO MOLEX PRODUCT SPECIFICATION PS-71626.
 4) PACKAGING SPECIFICATION PK-70873-0224 APPLIES.

NOTE FOR LEAD FREE CONVERSION:
 THE PRIMARY SHIPPING CARTON WILL BE
 LABELED "COMPLIANT TO ROHS DIRECTIVE
 2002/95/EC AND ELV ANNEX II OF
 DIRECTIVE 2000/53/EC". CARTONS
 WITHOUT THIS LABEL MAY CONTAIN
 PRODUCT WITH LEAD.

Contact us: sales@integrated-circuit.com Website: www.integrated-circuit.com

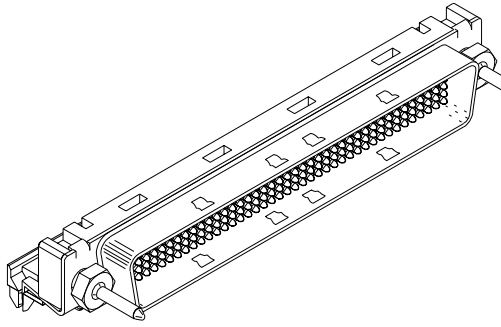


RECOMMENDED PC BOARD LAYOUT
 COMPONENT SIDE



PANEL CUT-OUT DIMENSIONS
 ALL TOLERANCES ±.003/(0.08)
 UNLESS OTHERWISE STATED.

FOR OPTIONAL HARDWARE DETAILS
 SEE SDA-71628-*****



MFG. SH. REV.		DIMENSIONS SHOWN (METRIC) INCH UNLESS OTHERWISE SPECIFIED TOLERANCES ARE AS FOLLOWS:		REVISIONS ONLY ON CAD SYSTEM	
		1 PLACE ± .010	---	TITLE	
		2 PLACE ± ---	---	.050° Pitch LFH 160 Ckt.	
		3 PLACE --- ± ---	---	Right Angle 1/0 Male	
		DRAWING DIMENSIONS MUST REMAIN WITHIN DIMENSIONS		Sales Assembly	
		DRG. BY: CAB	CHK. BY: BIXLER	MOLEX INCORPORATED SHEET NO. 2 DATE 9/12/91	
		APP'D. BY: CAB	SCALE: 2:1	PART NO. SEE SHEET 1 DRG. NO. SDA-71624-200*	
LTR.	REVISIONS	LTR.	REVISIONS	FILE NAME: S162422.DWG. THIS DRAWING CONTAINS INFORMATION THAT IS PROPRIETARY TO MOLEX INC. AND SHOULD NOT BE USED WITHOUT WRITTEN PERMISSION.	