



**Distributor of Molex Connector Corporation: Excellent Integrated System Limited**  
Datasheet of 0716265000 - D-Sub Connector Receptacle, Female Sockets 160 Position Panel  
Mount, Through Hole, Right Angle Solder

Contact us: [sales@integrated-circuit.com](mailto:sales@integrated-circuit.com) Website: [www.integrated-circuit.com](http://www.integrated-circuit.com)

---

## **Excellent Integrated System Limited**

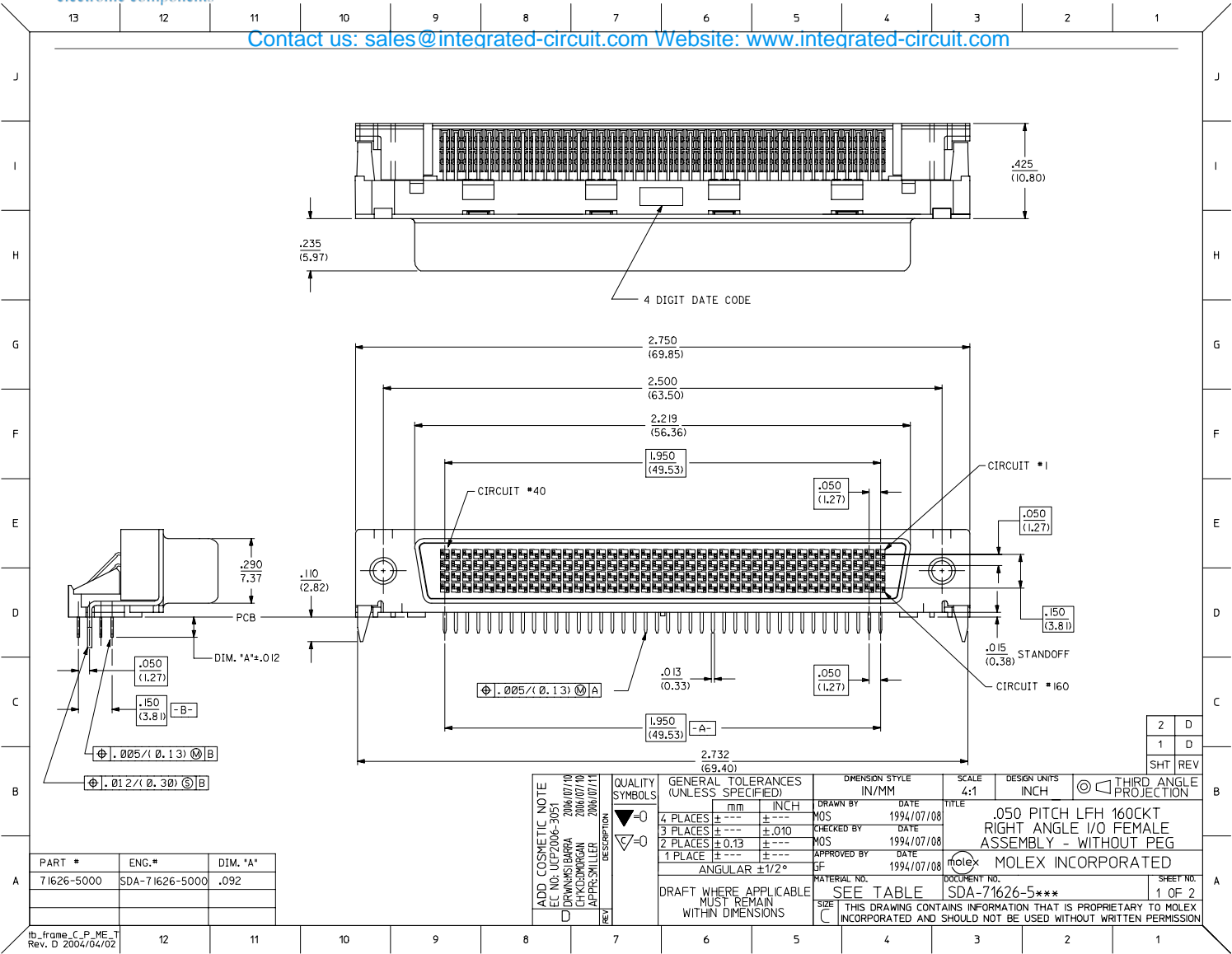
Stocking Distributor

Click to view price, real time Inventory, Delivery & Lifecycle Information:

[Molex Connector Corporation](#)  
[0716265000](#)

For any questions, you can email us directly:  
[sales@integrated-circuit.com](mailto:sales@integrated-circuit.com)

Contact us: [sales@integrated-circuit.com](mailto:sales@integrated-circuit.com) Website: [www.integrated-circuit.com](http://www.integrated-circuit.com)



<b>ADD COSMETIC NOTE</b> ELC NO: UCP2006-3051 2006/07/10 DRWING BARBA CH KUDIRANGAN 2006/07/10 APPR: MILLER 2006/07/11	<b>QUALITY SYMBOLS</b> $\nabla=0$ $\nabla=0$	<b>GENERAL TOLERANCES (UNLESS SPECIFIED)</b>		<b>DIMENSION STYLE</b> IN/MM	<b>SCALE</b> 4:1	<b>DESIGN UNITS</b> INCH	<b>THIRD ANGLE PROJECTION</b>		
		4 PLACES ± --- ± --- 3 PLACES ± --- ± .010 2 PLACES ± .013 ± --- 1 PLACE ± --- ± ---	mm INCH	DRAWN BY MOS 1994/07/08	DATE 1994/07/08	<b>TITLE</b> .050 PITCH LFH 160CKT RIGHT ANGLE I/O FEMALE ASSEMBLY - WITHOUT PEG			
		ANGULAR ±1/2°	DRAFT WHERE APPLICABLE MUST REMAIN WITHIN DIMENSIONS	CHECKED BY MOS 1994/07/08	DATE 1994/07/08	<b>APPROVED BY</b> GF 1994/07/08			
		MATERIAL NO. SEE TABLE	DOCUMENT NO. SDA-71626-5***	MOLEX INCORPORATED		SHEET NO. 1 OF 2			

PART #	ENC.#	DIM. "A"
71626-5000	SDA-71626-5000	.092

ib\_frame\_C\_P\_ME\_T  
Rev. D 2004/04/02

Contact us: [sales@integrated-circuit.com](mailto:sales@integrated-circuit.com) Website: [www.integrated-circuit.com](http://www.integrated-circuit.com)

**NOTES:**

**1) MATERIALS:**

HOUSING: LCP, 30% GLASS FILLED, 94V-0, BLACK.  
TAIL ALIGNER: LCP 30% GLASS FILLED, 94V-0, BLACK.  
MOLDED STICK: LCP 30% GLASS FILLED, 94V-0, BLACK.  
FEMALE CONTACT: BERYLLIUM COPPER .0100±.0005 THICK.  
OUTER SHELL: LOW CARBON STEEL.  
THREADED INSERT: BRASS.

**2) PLATING :**

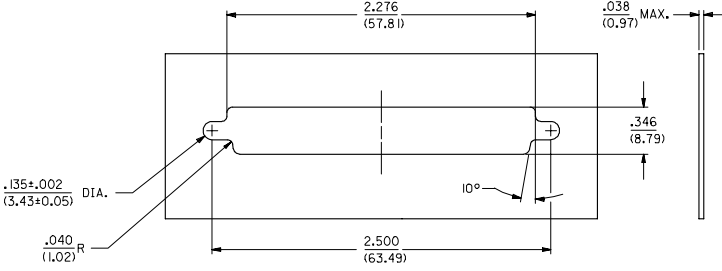
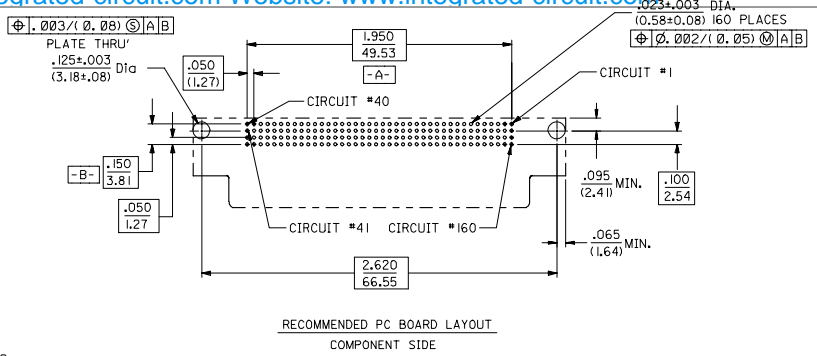
CONTACT: .000030 INCHES OF GOLD IN SELECTIVE AREA OVER  
.000050/.000100 INCHES OF NICKEL IN CONTACT AREA;  
.000100/.000200 INCHES OF TIN ON TAIL SECTION.

OUTER SHELL: .000150/.000200 INCHES OF TIN  
OVER .000050/.000100 INCHES OF NICKEL  
OVER .000050/.000100 INCHES  
OF COPPER OVERALL (OPTIONAL).

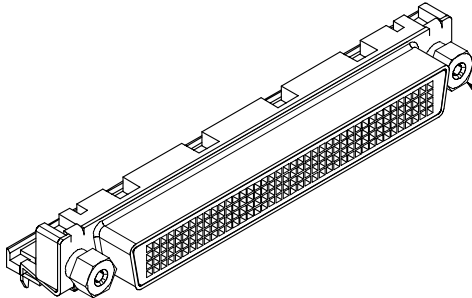
3) THIS PART CONFORMS TO MOLEX PRODUCT SPECIFICATION PS-71626.

4) PACKAGING SPECIFICATION PK-70873-0225 APPLIES.

5) PART COMPLIES WITH CLASS B OF COSMETIC SPECIFICATION PS-45499-002



**PANEL CUT-OUT DIMENSIONS**  
ALL TOLERANCES ±.003/(0.08)  
UNLESS OTHERWISE STATED.



FOR OPTIONAL HARDWARE DETAILS  
SEE SDA-71629-\*\*\*\*

ADD NOTE 5 EC NO: UCP2006-3051 DRAWN BY: 2006/07/10 CH: KUSUMINGAN APPR: SMILLER 2006/07/11	QUALITY SYMBOLS ▽=0 ▽=0	GENERAL TOLERANCES (UNLESS SPECIFIED)		DIMENSION STYLE IN/MM	SCALE 2:1	DESIGN UNITS INCH	THIRD ANGLE PROJECTION		
		4 PLACES ± --- ± --- 3 PLACES ± --- ± --- 2 PLACES ± --- ± --- 1 PLACE ± --- ± ---	mm INCH	DRAWN BY MOS	DATE 1994/07/08	TITLE .050 PITCH LFH 160CKT RIGHT ANGLE RECEPTACLE ASSEMBLY WITHOUT PEG			
		ANGULAR ±1/2°		CHECKED BY GF	DATE 1994/07/08	MOLEX INCORPORATED			
		DRAFT WHERE APPLICABLE MUST REMAIN WITHIN DIMENSIONS		MATERIAL NO. SEE TABLE	DATE 1994/07/08	DOCUMENT NO. SDA-71626-5***	SHEET NO. 2 OF 2		