

Excellent Integrated System Limited

Stocking Distributor

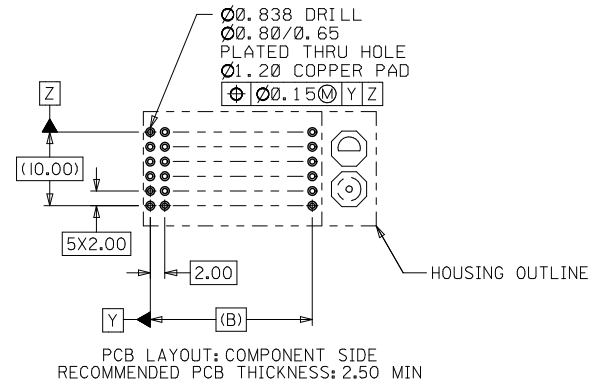
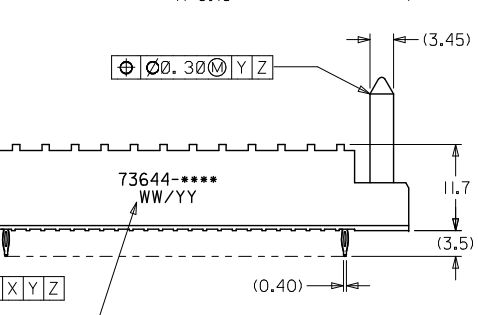
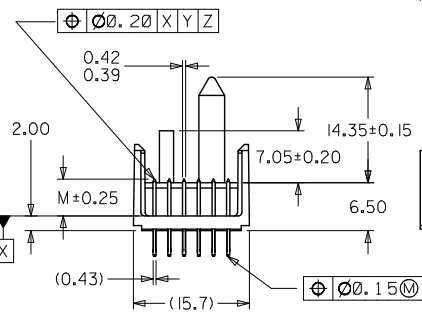
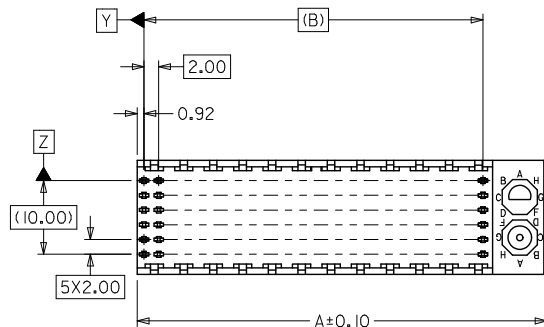
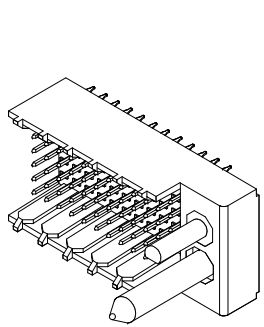
Click to view price, real time Inventory, Delivery & Lifecycle Information:

[Molex Connector Corporation](#)
[0736440018](#)

For any questions, you can email us directly:
sales@integrated-circuit.com

NOTES:

1. MATERIALS: HOUSING - LIQUID CRYSTAL POLYMER (LCP)
GLASS-FILLED, UL 94V-0, COLOR: BLACK.
TERMINAL - PHOSPHOR BRONZE.
2. FINISH: SELECTIVE GOLD (Au) IN CONTACT AREA, 0.76 MICROMETERS MINIMUM THICKNESS;
NICKEL (Ni) AND GOLD FLASH OVERALL.
SELECTIVE GOLD (Au) IN CONTACT AREA, 0.76 MICROMETERS MINIMUM THICKNESS;
SELECTIVE MATTE TIN (Sn) ON IN TAIL AREA.
NICKEL (Ni) OVERALL.
3. THIS PART CONFORMS TO MOLEX PRODUCT SPECIFICATION PS-73670-9999.
4. FOR MIXED CONTACT MATING LENGTHS, CONSULT FACTORY FOR AVAILABILITY.
5. DIMENSIONS ARE IN MILLIMETERS.
6. FOR SPECIFIC MATERIAL NUMBERS, SEE SHEET 2.
7. PACKAGE PER 70873-0818.
8. PARTS MARKED WITH PART NUMBER AND DATE CODE ON EITHER SIDE.
APPROXIMATELY WHERE SHOWN.



| | | | | | | | | | | |
|--|--------------------------------------|--|------------|---|--------------------|--|--------------------------------|------------------------|--|--|
| LEAD FREE CONVERSION EC NO: LCP2013-3253 DRAWN BY: RWHIPPLE 2013/02/04 CHECKED BY: CHKOJOLIE 2013/02/04 APPR: SMILLER 2013/08/05 | QUALITY SYMBOLS √=0 √=0 √=0 | GENERAL TOLERANCES (UNLESS SPECIFIED) | | DIMENSION STYLE MM ONLY | | SCALE 2:1 | DESIGN UNITS METRIC | THIRD ANGLE PROJECTION | | |
| | | 4 PLACES ±--- ±--- | mm INCH | DRAWN BY RWHIPPLE | DATE 2013/02/04 | TITLE SALES ASSEMBLY, HDM BACKPLANE MODULE POLAR/GUIDE OPTION molex | | | | |
| | | 3 PLACES ±--- ±--- | ±0.05 ±--- | CHECKED BY SMR/CAB | DATE 96/12/18 | | | | | |
| | | 2 PLACES ±0.05 ±--- | ±0.10 ±--- | APPROVED BY SMILLER | DATE 2013/08/05 | MATERIAL NO. SEE SHEET 2 | DOCUMENT NO. SDA-73644-**** | SHEET NO. 1 OF 2 | | |
| 1 PLACE ±0.10 ±--- | ±--- ±--- | ANGULAR ±1/2° DRAFT WHERE APPLICABLE MUST REMAIN WITHIN DIMENSIONS | | THIS DRAWING CONTAINS INFORMATION THAT IS PROPRIETARY TO MOLEX INCORPORATED AND SHOULD NOT BE USED WITHOUT WRITTEN PERMISSION | | | | | | |
| 0 PLACE ±--- ±--- | | | | | | | | | | |

| 10 | 9 | 8 | 7 | 6 | 5 | 4 | 3 | 2 | 1 |
|-----------------|---------------------------|------------------------------------|---|---|---------|---------|---------|---|---|
| MATERIAL NUMBER | NUMBER OF SIGNAL CONTACTS | PLATING | | | DIM "A" | DIM "B" | DIM "M" | | |
| 73644-00** | 72 | SELECTIVE GOLD/GOLD FLASH | | | 31.60 | 22.00 | 5.00 | | |
| 73644-01** | 72 | SELECTIVE GOLD/GOLD FLASH | | | 31.60 | 22.00 | 5.50 | | |
| 73644-02** | 72 | SELECTIVE GOLD/GOLD FLASH | | | 31.60 | 22.00 | 6.00 | | |
| 73644-10** | 144 | SELECTIVE GOLD/GOLD FLASH | | | 55.60 | 46.00 | 5.00 | | |
| 73644-11** | 144 | SELECTIVE GOLD/GOLD FLASH | | | 55.60 | 46.00 | 5.50 | | |
| 73644-12** | 144 | SELECTIVE GOLD/GOLD FLASH | | | 55.60 | 46.00 | 6.00 | | |
| 73644-20** | 72 | SELECTIVE GOLD/SELECTIVE MATTE TIN | | | 31.60 | 22.00 | 5.00 | | |
| 73644-21** | 72 | SELECTIVE GOLD/SELECTIVE MATTE TIN | | | 31.60 | 22.00 | 5.50 | | |
| 73644-22** | 72 | SELECTIVE GOLD/SELECTIVE MATTE TIN | | | 31.60 | 22.00 | 6.00 | | |
| 73644-30** | 144 | SELECTIVE GOLD/SELECTIVE MATTE TIN | | | 55.60 | 46.00 | 5.00 | | |
| 73644-31** | 144 | SELECTIVE GOLD/SELECTIVE MATTE TIN | | | 55.60 | 46.00 | 5.50 | | |
| 73644-32** | 144 | SELECTIVE GOLD/SELECTIVE MATTE TIN | | | 55.60 | 46.00 | 6.00 | | |

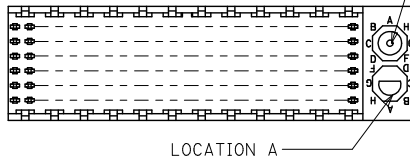
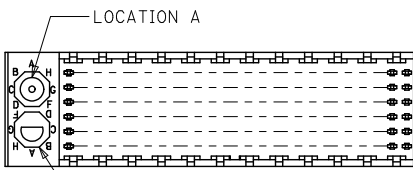
MATERIAL NUMBER ASSIGNMENT

73644- * * * *

- 0 = 72-CIRCUIT, GOLD/GOLD FLASH
- 1 = 144-CIRCUIT, GOLD/GOLD FLASH
- 2= 72-CIRCUIT, *GOLD/MATTE TIN
- 3= 144-CIRCUIT, *GOLD/MATTE TIN
- * FORMERLY TIN/LEAD

- 0 = 5.00 MATING LENGTH
- 1 = 5.50 MATING LENGTH
- 2 = 6.00 MATING LENGTH

| NUMBER | GUIDE POST LOCATION | POLAR KEY POSITION |
|--------|---------------------|--------------------|
| 00 | B | A |
| 01 | A | |
| 02 | B | B |
| 03 | A | |
| 04 | B | C |
| 05 | A | |
| 06 | B | |
| 07 | A | D |
| 08 | B | |
| 09 | A | E |
| 10 | B | F |
| 11 | A | |
| 12 | B | G |
| 13 | A | |
| 14 | B | H |
| 15 | A | |
| 16 | B | |
| 17 | A | N/A |
| 18 | N/A | N/A |



REF. MATERIAL NUMBER 73644-0009
GUIDE PIN IS IN LOCATION A
POLARIZING KEY IS IN LOCATION B, POSITION E

REF. MATERIAL NUMBER 73644-0008
GUIDE PIN IS IN LOCATION B
POLARIZING KEY IS IN LOCATION A, POSITION E

| | | | | | | | | |
|--|--------------------------------------|---------------------------------------|-----------|--|----------------------|---|---|------------------------|
| SEE SHEET 1 EC NO: LCP2013-3253 DRAWN BY: RWHIPPLE CHECKED BY: CHKRMOLLE APPR: SMILLER DATE: 2013/02/04 DATE: 2013/02/04 DATE: 2013/08/05 | QUALITY SYMBOLS ∇=0 ∇=0 ∇=0 | GENERAL TOLERANCES (UNLESS SPECIFIED) | | DIMENSION STYLE MM ONLY | | SCALE 1:1 | DESIGN UNITS METRIC | THIRD ANGLE PROJECTION |
| | | | mm | INCH | DRAWN BY RWHIPPLE | DATE 2013/02/04 | TITLE SALES ASSEMBLY, HDM BACKPLANE MODULE POLAR/GUIDE OPTION molex DOCUMENT NO. SDA-73644-**** SHEET NO. 2 OF 2 | |
| | | 4 PLACES ± --- | ± --- | CHECKED BY SMR/CAB | DATE 96/12/18 | | | |
| | | 3 PLACES ± --- | ± --- | APPROVED BY SMILLER | DATE 2013/08/05 | | | |
| 2 PLACES ± 0.05 | ± --- | MATERIAL NO. SEE CHART | SIZE B | | | | | |
| 1 PLACE ± 0.10 | ± --- | ANGULAR ±1/2° | | DRAFT WHERE APPLICABLE MUST REMAIN WITHIN DIMENSIONS | | THIS DRAWING CONTAINS INFORMATION THAT IS PROPRIETARY TO MOLEX INCORPORATED AND SHOULD NOT BE USED WITHOUT WRITTEN PERMISSION | | |
| 0 PLACE ± --- | ± --- | | | | | | | |