

## **Excellent Integrated System Limited**

Stocking Distributor

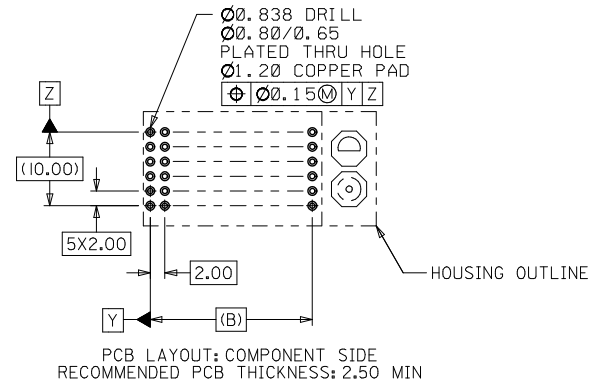
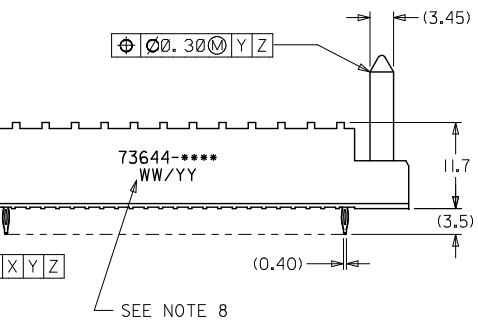
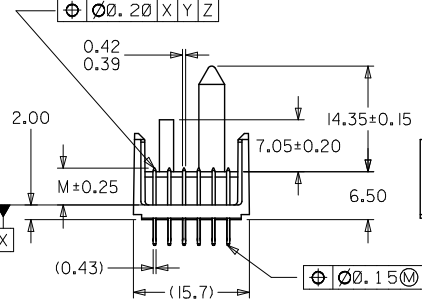
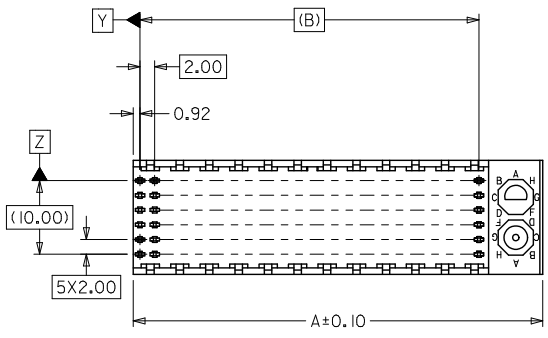
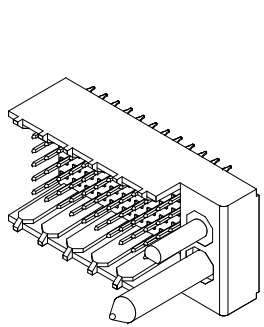
Click to view price, real time Inventory, Delivery & Lifecycle Information:

[Molex Connector Corporation](#)  
[0736442017](#)

For any questions, you can email us directly:  
[sales@integrated-circuit.com](mailto:sales@integrated-circuit.com)

NOTES:

1. MATERIALS: HOUSING - LIQUID CRYSTAL POLYMER (LCP)  
GLASS-FILLED, UL 94V-0, COLOR: BLACK.  
TERMINAL - PHOSPHOR BRONZE.
2. FINISH: SELECTIVE GOLD (Au) IN CONTACT AREA, 0.76 MICROMETERS MINIMUM THICKNESS;  
NICKEL (Ni) AND GOLD FLASH OVERALL.  
SELECTIVE GOLD (Au) IN CONTACT AREA, 0.76 MICROMETERS MINIMUM THICKNESS;  
SELECTIVE MATTE TIN (Sn) ON IN TAIL AREA.  
NICKEL (Ni) OVERALL.
3. THIS PART CONFORMS TO MOLEX PRODUCT SPECIFICATION PS-73670-9999.
4. FOR MIXED CONTACT MATING LENGTHS, CONSULT FACTORY FOR AVAILABILITY.
5. DIMENSIONS ARE IN MILLIMETERS.
6. FOR SPECIFIC MATERIAL NUMBERS, SEE SHEET 2.
7. PACKAGE PER 70873-0818.
8. PARTS MARKED WITH PART NUMBER AND DATE CODE ON EITHER SIDE.  
APPROXIMATELY WHERE SHOWN.



|   |                                      |   |   |  |  |                        |                        |  |  |
|---|--------------------------------------|---|---|--|--|------------------------|------------------------|--|--|
| LEAD FREE CONVERSION<br>EC NO: LCP2013-3253<br>DRAWN BY: RWHIPPLE<br>CHECKED BY: CHOKMOLLE<br>APPR: SMILLER<br>DATE: 2013/02/04<br>DATE: 2013/02/04<br>DATE: 2013/08/05 | QUALITY SYMBOLS<br>√=0<br>√=0<br>√=0 | GENERAL TOLERANCES (UNLESS SPECIFIED)<br>4 PLACES ±--- ±---<br>3 PLACES ±--- ±---<br>2 PLACES ±0.05 ±---<br>1 PLACE ±0.10 ±---<br>0 PLACE ±--- ±---<br>ANGULAR ±1/2°<br>DRAFT WHERE APPLICABLE<br>MUST REMAIN WITHIN DIMENSIONS | DIMENSION STYLE<br>MM ONLY  |  | SCALE<br>2:1   | DESIGN UNITS<br>METRIC | THIRD ANGLE PROJECTION |  |  |
|   |                                      |   | DRAWN BY: RWHIPPLE<br>DATE: 2013/02/04  |  | TITLE<br>SALES ASSEMBLY, HDM<br>BACKPLANE MODULE<br>POLAR/GUIDE OPTION |                        |                        |  |  |
|   |                                      |   | CHECKED BY: SMR/CAB<br>DATE: 96/12/18   |  | APPROVED BY: SMILLER<br>DATE: 2013/08/05                               |                        |                        |  |  |
|   |                                      |   | THIS DRAWING CONTAINS INFORMATION THAT IS PROPRIETARY TO MOLEX INCORPORATED AND SHOULD NOT BE USED WITHOUT WRITTEN PERMISSION |  |  |                        |                        |  |  |

| 10              | 9                         | 8                                  | 7 | 6 | 5       | 4       | 3       | 2 | 1 |
|-----------------|---------------------------|------------------------------------|---|---|---------|---------|---------|---|---|
| MATERIAL NUMBER | NUMBER OF SIGNAL CONTACTS | PLATING                            |   |   | DIM "A" | DIM "B" | DIM "M" |   |   |
| 73644-00**      | 72                        | SELECTIVE GOLD/GOLD FLASH          |   |   | 31.60   | 22.00   | 5.00    |   |   |
| 73644-01**      | 72                        | SELECTIVE GOLD/GOLD FLASH          |   |   | 31.60   | 22.00   | 5.50    |   |   |
| 73644-02**      | 72                        | SELECTIVE GOLD/GOLD FLASH          |   |   | 31.60   | 22.00   | 6.00    |   |   |
| 73644-10**      | 144                       | SELECTIVE GOLD/GOLD FLASH          |   |   | 55.60   | 46.00   | 5.00    |   |   |
| 73644-11**      | 144                       | SELECTIVE GOLD/GOLD FLASH          |   |   | 55.60   | 46.00   | 5.50    |   |   |
| 73644-12**      | 144                       | SELECTIVE GOLD/GOLD FLASH          |   |   | 55.60   | 46.00   | 6.00    |   |   |
| 73644-20**      | 72                        | SELECTIVE GOLD/SELECTIVE MATTE TIN |   |   | 31.60   | 22.00   | 5.00    |   |   |
| 73644-21**      | 72                        | SELECTIVE GOLD/SELECTIVE MATTE TIN |   |   | 31.60   | 22.00   | 5.50    |   |   |
| 73644-22**      | 72                        | SELECTIVE GOLD/SELECTIVE MATTE TIN |   |   | 31.60   | 22.00   | 6.00    |   |   |
| 73644-30**      | 144                       | SELECTIVE GOLD/SELECTIVE MATTE TIN |   |   | 55.60   | 46.00   | 5.00    |   |   |
| 73644-31**      | 144                       | SELECTIVE GOLD/SELECTIVE MATTE TIN |   |   | 55.60   | 46.00   | 5.50    |   |   |
| 73644-32**      | 144                       | SELECTIVE GOLD/SELECTIVE MATTE TIN |   |   | 55.60   | 46.00   | 6.00    |   |   |

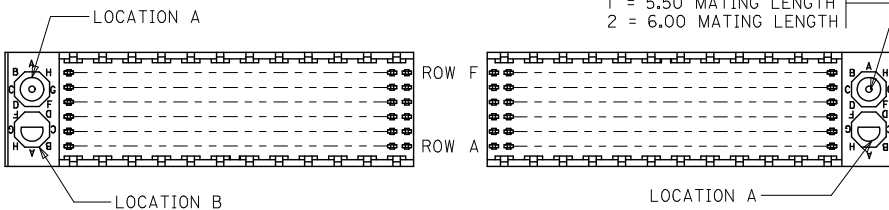
**MATERIAL NUMBER ASSIGNMENT**

73644- \* \* \* \*

- 0 = 72-CIRCUIT, GOLD/GOLD FLASH
- 1 = 144-CIRCUIT, GOLD/GOLD FLASH
- 2= 72-CIRCUIT, \*GOLD/MATTE TIN
- 3= 144-CIRCUIT, \*GOLD/MATTE TIN
- \* FORMERLY TIN/LEAD

- 0 = 5.00 MATING LENGTH
- 1 = 5.50 MATING LENGTH
- 2 = 6.00 MATING LENGTH

| NUMBER | GUIDE POST LOCATION | POLAR KEY POSITION |
|--------|---------------------|--------------------|
| 00     | B                   | A                  |
| 01     | A                   |                    |
| 02     | B                   | B                  |
| 03     | A                   |                    |
| 04     | B                   | C                  |
| 05     | A                   |                    |
| 06     | B                   |                    |
| 07     | A                   | D                  |
| 08     | B                   |                    |
| 09     | A                   | E                  |
| 10     | B                   | F                  |
| 11     | A                   |                    |
| 12     | B                   | G                  |
| 13     | A                   |                    |
| 14     | B                   | H                  |
| 15     | A                   |                    |
| 16     | B                   |                    |
| 17     | A                   | N/A                |
| 18     | N/A                 | N/A                |



REF. MATERIAL NUMBER 73644-0009  
GUIDE PIN IS IN LOCATION A  
POLARIZING KEY IS IN LOCATION B, POSITION E

REF. MATERIAL NUMBER 73644-0008  
GUIDE PIN IS IN LOCATION B  
POLARIZING KEY IS IN LOCATION A, POSITION E

|   |                                      |                                       |   |                            |  |                    |   |                        |  |
|---|--------------------------------------|---------------------------------------|---|----------------------------|--|--------------------|---|------------------------|--|
| SEE SHEET 1<br>EC NO: LCP2013-3253<br>DRAWN BY: RWHIPPLE 2013/02/04<br>CHECKED BY: CHKRMOLLE 2013/02/04<br>APPR: SMILLER 2013/08/05 | QUALITY SYMBOLS<br>∇=0<br>∇=0<br>∇=0 | GENERAL TOLERANCES (UNLESS SPECIFIED) |   | DIMENSION STYLE<br>MM ONLY |  | SCALE<br>1:1       | DESIGN UNITS<br>METRIC  | THIRD ANGLE PROJECTION |  |
|   |                                      |                                       | mm  | INCH                       | DRAWN BY<br>RWHIPPLE                                 | DATE<br>2013/02/04 | TITLE<br>SALES ASSEMBLY, HDM<br>BACKPLANE MODULE<br>POLAR/GUIDE OPTION<br><b>molex</b><br>DOCUMENT NO.<br>SDA-73644-****<br>SHEET NO.<br>2 OF 2 |                        |  |
|   |                                      | 4 PLACES ±                            | ---   | ---                        | CHECKED BY<br>SMR/CAB                                | DATE<br>96/12/18   |   |                        |  |
|   |                                      | 3 PLACES ±                            | ---   | ---                        | APPROVED BY<br>SMILLER                               | DATE<br>2013/08/05 |   |                        |  |
| 2 PLACES ±  | 0.05                                 | ---                                   | MATERIAL NO.<br>SEE CHART   |                            |  |                    |   |                        |  |
| 1 PLACE ±   | 0.10                                 | ---                                   | ANGULAR ±1/2°   |                            | DRAFT WHERE APPLICABLE MUST REMAIN WITHIN DIMENSIONS |                    | SIZE<br>B   |                        |  |
| 0 PLACE ±   | ---                                  | ---                                   | THIS DRAWING CONTAINS INFORMATION THAT IS PROPRIETARY TO MOLEX INCORPORATED AND SHOULD NOT BE USED WITHOUT WRITTEN PERMISSION |                            |  |                    |   |                        |  |