

Excellent Integrated System Limited

Stocking Distributor

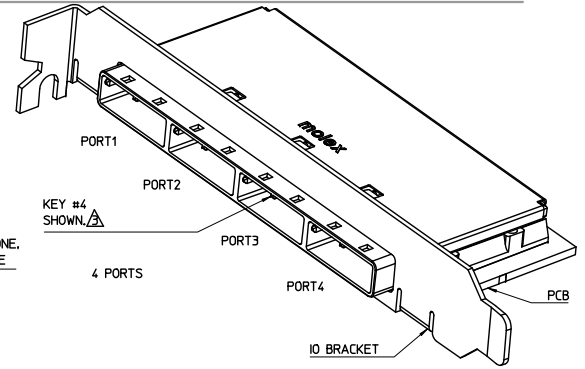
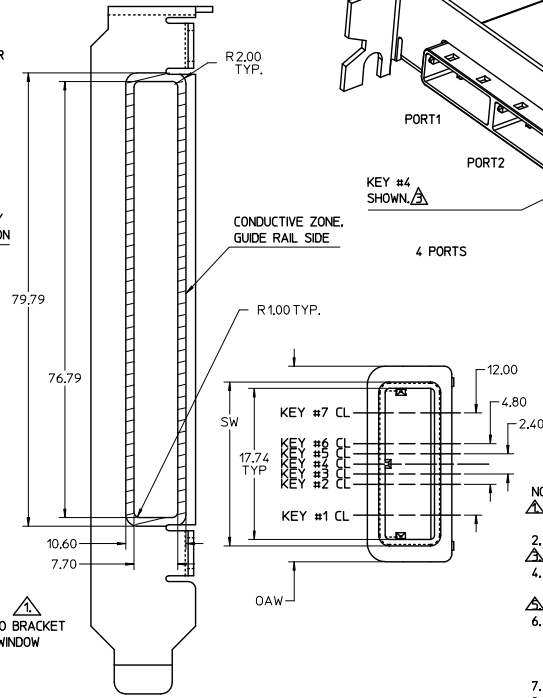
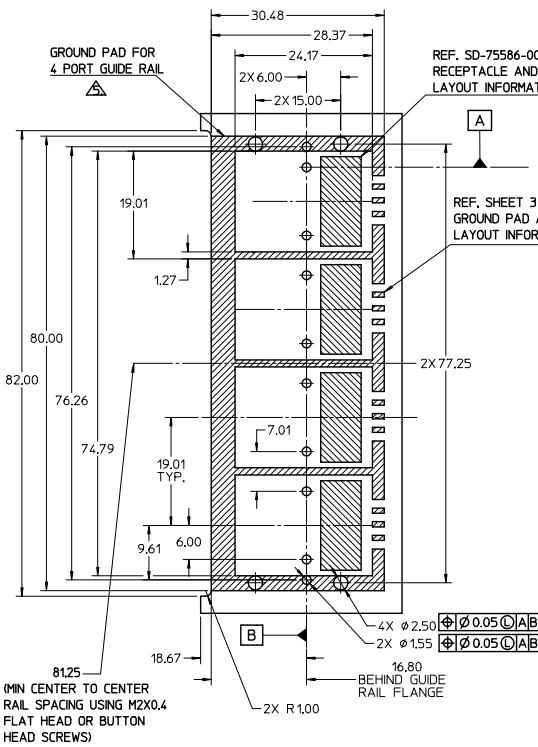
Click to view price, real time Inventory, Delivery & Lifecycle Information:

[Molex Connector Corporation](#)
[0745480101](#)

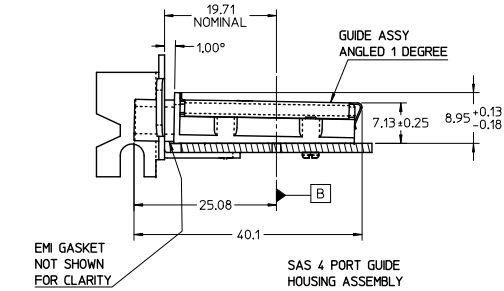
For any questions, you can email us directly:

sales@integrated-circuit.com

MM 3D MODEL: EM-74548-100 (SD_PACKAGE)

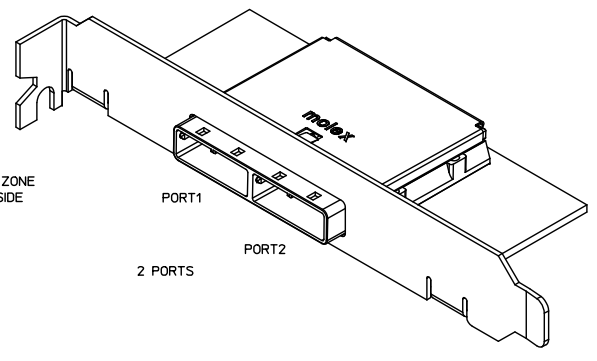
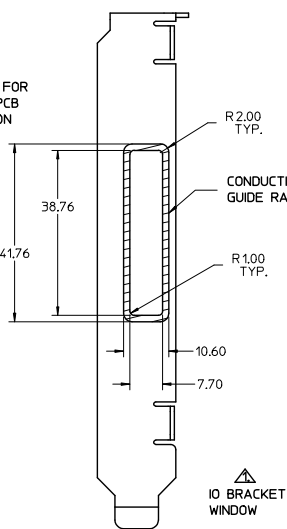
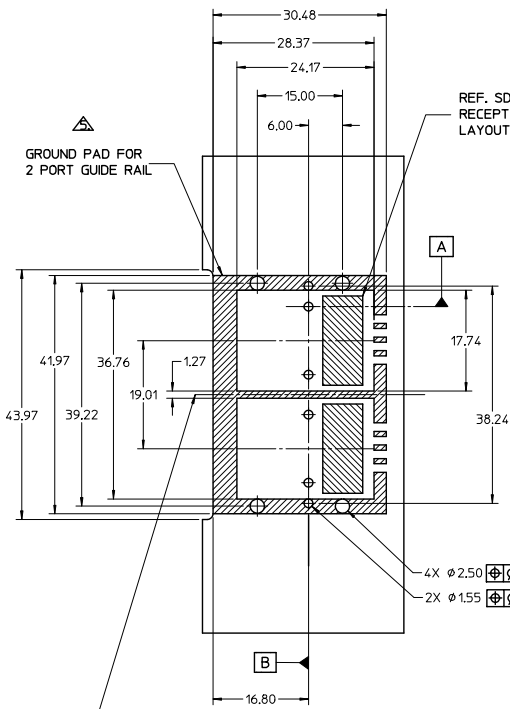


- NOTES:
- REF. PCI EXPRESS CARD ELECTROMECHANICAL SPECIFICATION, REV. 1.0a FOR BRACKET WINDOW LOCATION.
 - PCB AND BRACKET SHOWN FOR REFERENCE ONLY.
 - REF. SD-74547-100 FOR KEY POSITIONS.
 - GUIDE HOUSING MOUNTING THREAD- M2 X 0.40, SEE SHEET 3 FOR SCREW LENGTH + TORQUE SPEC.
 - PLATE GROUND PAD WITH EMERSION SILVER OR GOLD.
 - MATERIAL:
 - GUIDE HOUSING - ZINC DIECAST, NICKEL PLATED,
 - COVER - STAINLESS STEEL,
 - GASKET: CONDUCTIVE ELASTOMER
 - NO RoHS EXEMPTIONS.
 - GUIDE HOUSING PEGS FOR ALIGNMENT ONLY, DO NOT SOLDER.



PART NUMBER	SW	OAW	PORT SIZE	KEY(S) PORT1	KEY(S) PORT2	KEY(S) PORT3	KEY(S) PORT4	IDENTIFIERS	ELASTOMERIC GASKET FLAMMABILITY RATING
745480100	76.29	79.99	4	1	1	1	1	SATA - 'X' CABLES	94HB
745480103	76.29	79.99	4	2,4	2,4	2,4	2,4	SAS OUT PORT/END DEVICE	94HB
745480104	76.29	79.99	4	4,6	4,6	4,6	4,6	SAS IN PORT/END DEVICE	94HB
745480105	76.29	79.99	4	4	4	4	4	SAS UNIVERSAL PORT	94HB
745480112	76.29	79.99	4	7	7	7	7	SATA - 'M' CABLES	94HB
745480117	76.29	79.99	4	2	2	2	2	SAS - OUT PORT	94HB
745480120	76.29	79.99	4	6	6	6	6	SAS - IN PORT	94HB

SEE REVISION TABLE EC NO: CPG2015-3682 DRW: MLLU20 2015/01/22 CHK: KOSYANG16 2015/01/28 APPR: RCHEN8 2015/02/03 REV:	QUALITY SYMBOLS	GENERAL TOLERANCES (UNLESS SPECIFIED)	DIMENSION STYLE	SCALE	DESIGN UNITS	iPass™ is a Trademark of Molex, Inc.	
		mm INCH	MM ONLY	2:1	METRIC	THIRD ANGLE PROJECTION	
	4 PLACES ± --- ± --- 3 PLACES ± --- ± --- 2 PLACES ± 0.13 ± --- 1 PLACE ± 0.25 ± --- 0 PLACE ± ±	DRAWN BY: SNAVARRO DATE: 2006/05/26 CHECKED BY: DATE: APPROVED BY: DDOYE DATE: 2006/05/26	TITLE: I-PASS 26CKT ONE DEG. EMI GUIDE RAIL HOUSING ASSEMBLY, MULTI PORT molex				
	ANGULAR ± 1/2° DRAFT WHERE APPLICABLE MUST REMAIN WITHIN DIMENSIONS	MATERIAL NO. SEE P/N TABLE SIZE C	DOCUMENT NO. SD-74548-100 SHEET NO. 1 OF 4				

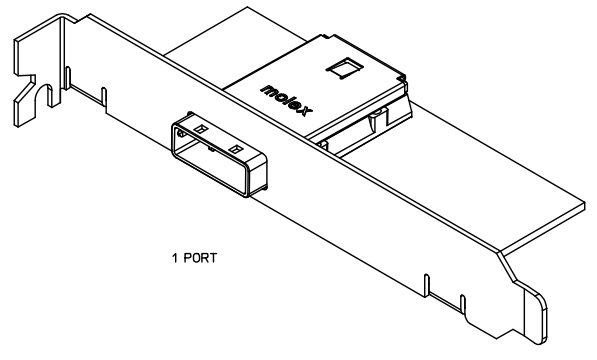
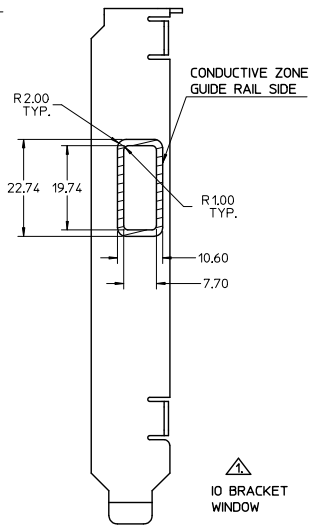
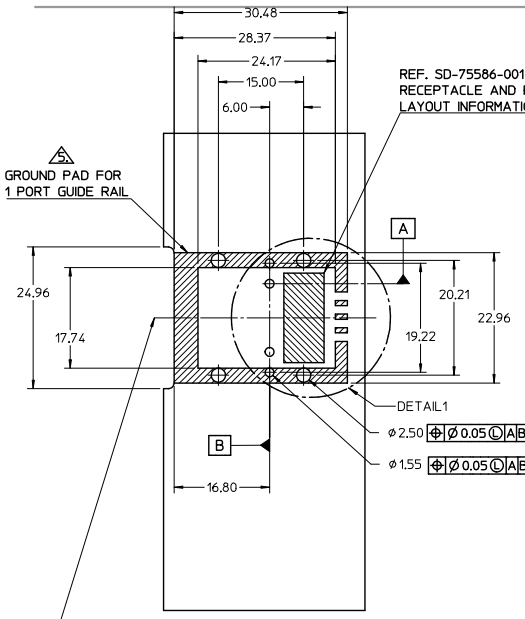


PART NUMBER	SW	OAW	PORT SIZE	KEY(S) PORT1	KEY(S) PORT2	IDENTIFIERS	ELASTOMERIC GASKET FLAMMABILITY RATING
745480102	38.26	41.96	2	1	1	SATA - 'X' CABLES	94HB
745480106	38.26	41.96	2	2.4	2.4	SAS OUT PORT/END DEVICE	94HB
745480107	38.26	41.96	2	4,6	4,6	SAS IN PORT/END DEVICE	94HB
745480108	38.26	41.96	2	4	4	SAS UNIVERSAL PORT	94HB
745480113	38.26	41.96	2	7	7	SATA - 'M' CABLES	94HB
745480115	38.26	41.96	2	4,6	2,4	SAS IN PORT - SAS OUT PORT	94HB
745480116	38.26	41.96	2	2.4	4,6	SAS OUT PORT - SAS IN PORT	94HB
745480118	38.26	41.96	2	2	2	SAS - OUT PORT	94HB
745480121	38.26	41.96	2	6	6	SAS - IN PORT	94HB
745480124	38.26	41.96	2	3	3	SRIO	94HB
745480128	38.26	41.96	2	2.4	4,6	SAS OUT PORT - SAS IN PORT	94V-0

iPass™ is a Trademark of Molex, Inc.

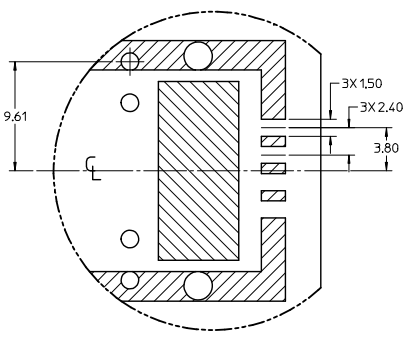
SEE REVISION TABLE IEC NO: CPG2015-3682 DRWELL020 2015/01/28 CHK05YANG16 2015/01/28 APPROV0508 2015/02/03 REV	QUALITY SYMBOLS	GENERAL TOLERANCES (UNLESS SPECIFIED)	DIMENSION STYLE	SCALE	DESIGN UNITS	THIRD ANGLE PROJECTION	
		mm INCH	MM ONLY	2:1	METRIC		
		4 PLACES ± --- ± --- 3 PLACES ± --- ± --- 2 PLACES ± 0.13 ± --- 1 PLACE ± 0.25 ± --- 0 PLACE ± ±	DRAWN BY DATE SNAVARRO 2006/05/26 CHECKED BY DATE BREED 2006/05/26 APPROVED BY DATE DDOYE 2006/05/26	TITLE	I-PASS 26CKT ONE DEG. EMI GUIDE RAIL HOUSING ASSEMBLY, MULTI PORT		
		ANGULAR ±1/2° DRAFT WHERE APPLICABLE MUST REMAIN WITHIN DIMENSIONS	MATERIAL NO. DOCUMENT NO. SD-74548-100				

13 12 11 10 9 8 7 6 5 4 3 2 1



PCB THICKNESS	SCREW LENGTH	TORQUE (IN LBS)
1.6 (.063")	5MM	2.3
2.38 (.093")	6MM	2.3
3.2 (.125")	6MM	2.3
X	+4MM MAX	2.3

(MIN CENTER TO CENTER RAIL SPACING USING M2X0.4 FLAT HEAD OR BUTTON HEAD SCREWS)



DETAIL1 SCALE 4:1

PART NUMBER	SW	OAW	PORT SIZE	KEY(S)	IDENTIFIERS	ELASTOMERIC GASKET FLAMMABILITY RATING
745480101	19.24	22.95	1	1	SATA - 'X' CABLES	94HB
745480109	19.24	22.95	1	2,4	SAS OUT PORT/END DEVICE	94HB
745480110	19.24	22.95	1	4,6	SAS IN PORT/END DEVICE	94HB
745480111	19.24	22.95	1	4	SAS UNIVERSAL PORT	94HB
745480114	19.24	22.95	1	7	SATA - 'M' CABLES	94HB
745480119	19.24	22.95	1	2	SAS - OUT PORT	94HB
745480122	19.24	22.95	1	6	SAS - IN PORT	94HB
745480125	19.24	22.95	1	3	SRIO	94HB

iPass™ is a Trademark of Molex, Inc.

SEE REVISION TABLE EC NO: CPG2015-3862 DRWELL: LU20 CHK: KOSYANG16 APPR: RICHENB8 2015/01/22 2015/01/28 2015/02/03	QUALITY SYMBOLS ∇=0 ∇=0.13 ∇=0.25	GENERAL TOLERANCES (UNLESS SPECIFIED) mm INCH		DIMENSION STYLE MM ONLY		SCALE 2:1	DESIGN UNITS METRIC	THIRD ANGLE PROJECTION
		4 PLACES ± --- ± ---	DRAWN BY SNAVARRO	DATE 2006/05/26	TITLE I-PASS 26CKT ONE DEG. EMI GUIDE RAIL HOUSING ASSEMBLY, MULTI PORT SHEET NO. 3 OF 4			
		3 PLACES ± --- ± ---	CHECKED BY BREED	DATE 2006/05/26				
		2 PLACES ± 0.13 ± ---	APPROVED BY DDOYE	DATE 2006/05/26				
1 PLACE ± 0.25 ± ---	MATERIAL NO. DOCUMENT NO. SD-74548-100							
0 PLACE ± ±	ANGULAR ± 1/2°		DRAFT WHERE APPLICABLE MUST REMAIN WITHIN DIMENSIONS			SEE P/N TABLE		

1b_frame_C_P_AM_T Rev. G 2012/01/11 12 11 10 9 8 7 6 5 4 3 2 1

REVISION HISTORY

DATE	REV	DESCRIPTION
2015/01/23	R	1. ADDED *MM 3D MODEL: EM-74548-100 (SD_PACKAGE)* ON LEFT TOP CORNER. [SHT 1] 2. NOTE 7 CHANGED AS *NO RoHS EXEMPTIONS*. [SHT 1] 3. NOTE 6 ADDED *GASKET: CONDUCTIVE ELASTOMER.* [SHT 1] 4. ADDED ELASTOMERIC GASKET FLAMMABILITY RATING. [SHT 1, 2, 3] 5. ADDED 74548-0128. [SHT 2]

SEE REVISION TABLE EC NO: CPG2015-3882 DRWELLUZO 2015/01/23 CHKDSYANG16 2015/01/28 APPROVCHENB 2015/02/03	QUALITY SYMBOLS √=0 ▽=0 ▽=0	GENERAL TOLERANCES (UNLESS SPECIFIED) <table border="1"> <thead> <tr> <th></th> <th>mm</th> <th>INCH</th> </tr> </thead> <tbody> <tr> <td>4 PLACES</td> <td>±---</td> <td>±---</td> </tr> <tr> <td>3 PLACES</td> <td>±---</td> <td>±---</td> </tr> <tr> <td>2 PLACES</td> <td>±0.13</td> <td>±---</td> </tr> <tr> <td>1 PLACE</td> <td>±0.25</td> <td>±---</td> </tr> <tr> <td>0 PLACE</td> <td>±</td> <td>±</td> </tr> </tbody> </table>		mm	INCH	4 PLACES	±---	±---	3 PLACES	±---	±---	2 PLACES	±0.13	±---	1 PLACE	±0.25	±---	0 PLACE	±	±	DIMENSION STYLE MM ONLY	SCALE DESIGN UNITS METRIC	THIRD ANGLE PROJECTION
			mm	INCH																			
		4 PLACES	±---	±---																			
		3 PLACES	±---	±---																			
2 PLACES	±0.13	±---																					
1 PLACE	±0.25	±---																					
0 PLACE	±	±																					
DRAWN BY DATE SNAVARRO 2006/05/26		CHECKED BY DATE BREED 2006/05/26		TITLE I-PASS 26CKT ONE DEG. EMI GUIDE RAIL HOUSING ASSEMBLY, MULTI PORT																			
APPROVED BY DATE DDOYE 2006/05/26		MATERIAL NO. SEE P/N TABLE		DOCUMENT NO. SD-74548-100																			
ANGULAR ±1/2° DRAFT WHERE APPLICABLE MUST REMAIN WITHIN DIMENSIONS		SIZE C		THIS DRAWING CONTAINS INFORMATION THAT IS PROPRIETARY TO MOLEX INCORPORATED AND SHOULD NOT BE USED WITHOUT WRITTEN PERMISSION																			