

Excellent Integrated System Limited

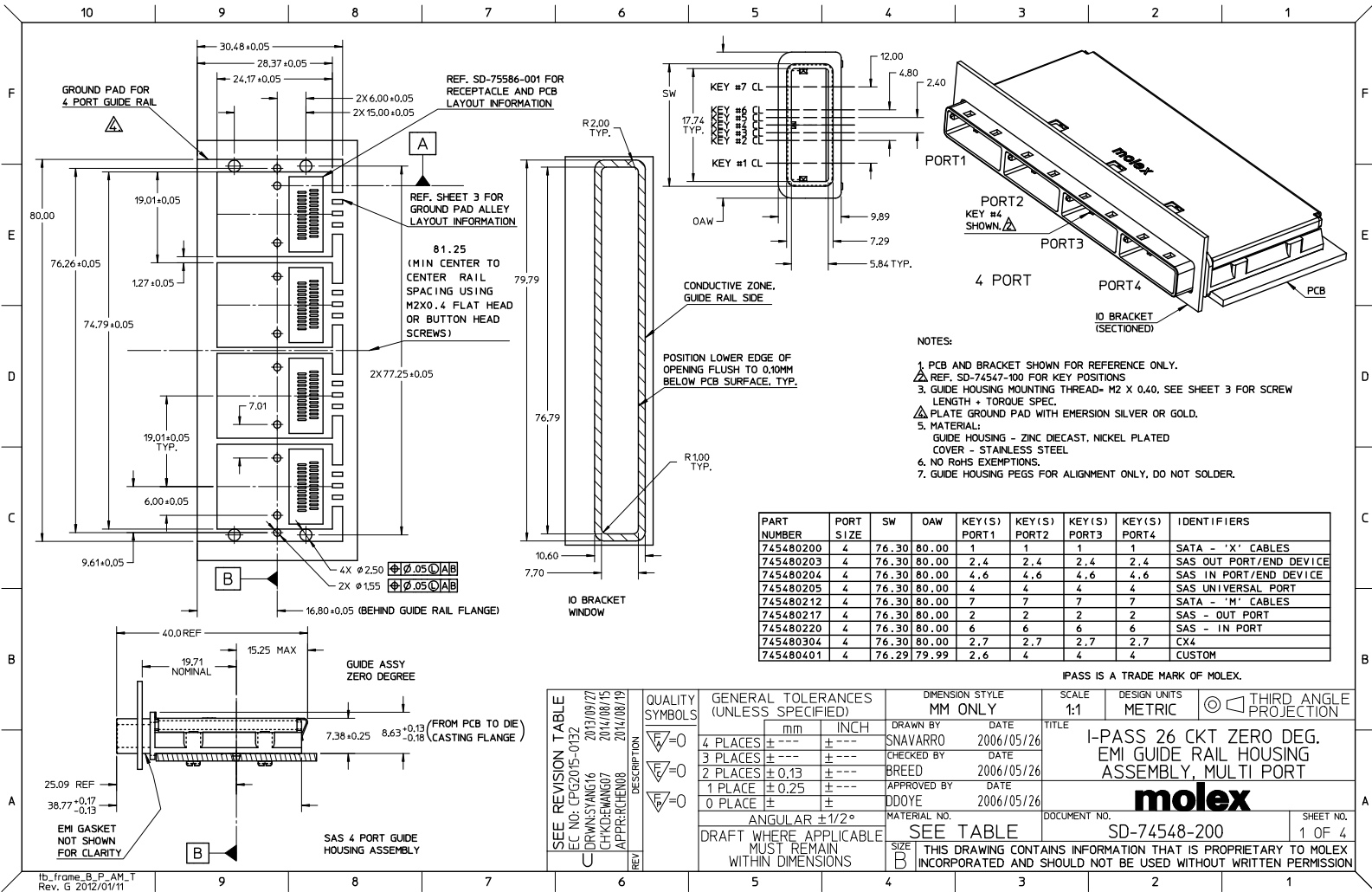
Stocking Distributor

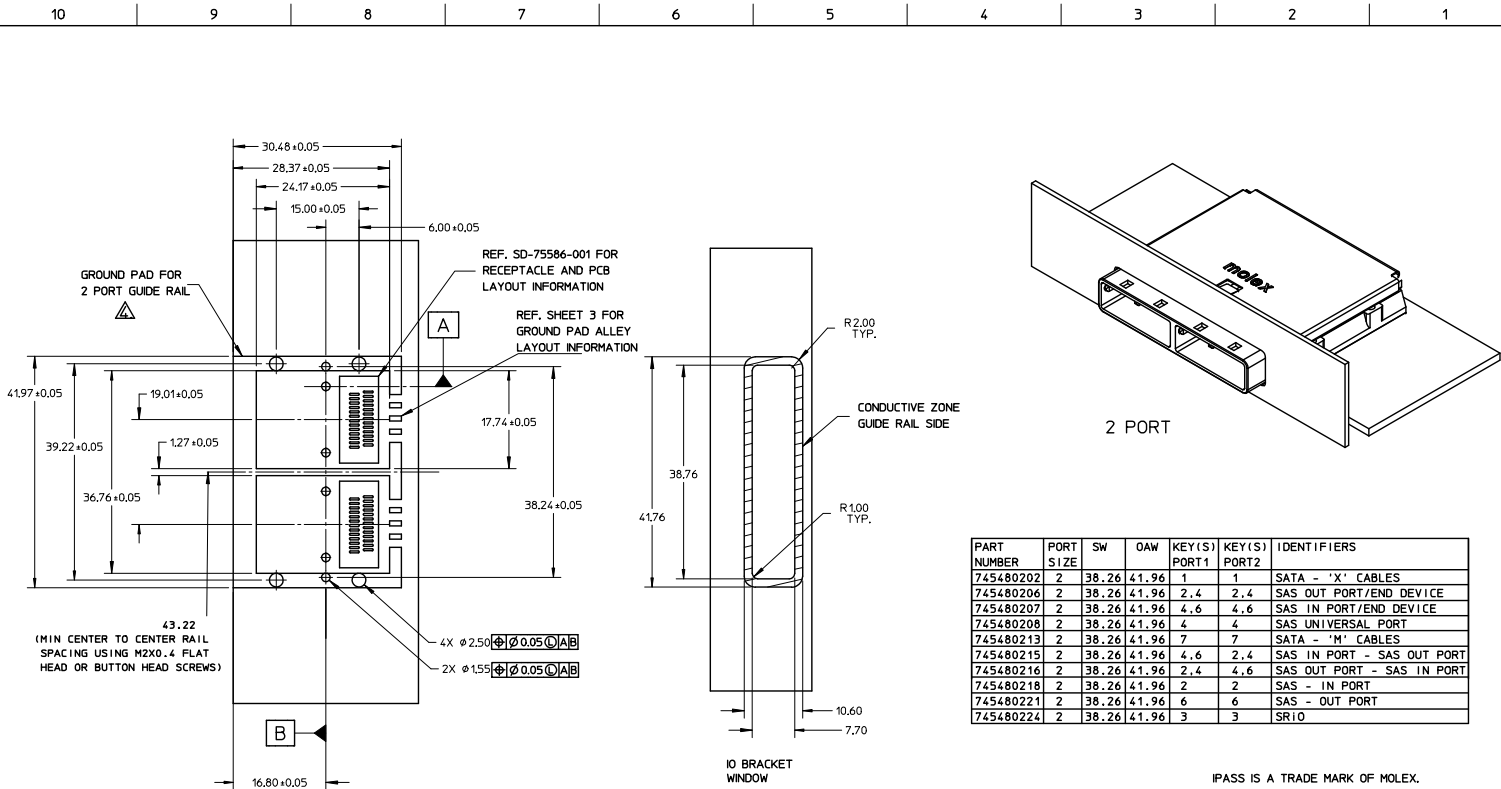
Click to view price, real time Inventory, Delivery & Lifecycle Information:

[Molex Connector Corporation](#)
[0745480210](#)

For any questions, you can email us directly:

sales@integrated-circuit.com

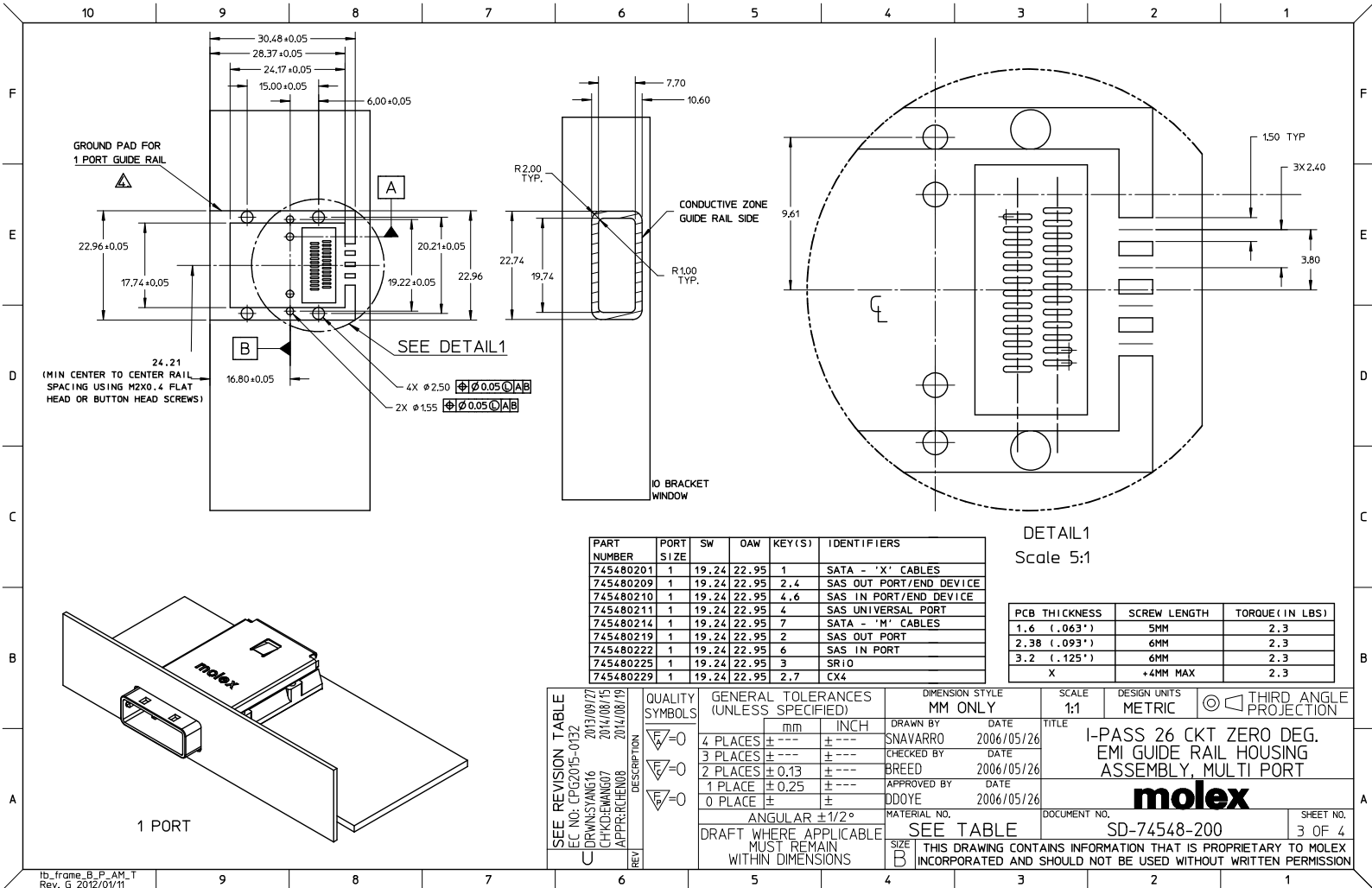




PART NUMBER	PORT SIZE	SW	DAW	KEY(S) PORT1	KEY(S) PORT2	IDENTIFIERS
745480202	2	38.26	41.96	1	1	SATA - 'X' CABLES
745480206	2	38.26	41.96	2,4	2,4	SAS OUT PORT/END DEVICE
745480207	2	38.26	41.96	4,6	4,6	SAS IN PORT/END DEVICE
745480208	2	38.26	41.96	4	4	SAS UNIVERSAL PORT
745480213	2	38.26	41.96	7	7	SATA - 'M' CABLES
745480215	2	38.26	41.96	4,6	2,4	SAS IN PORT - SAS OUT PORT
745480216	2	38.26	41.96	2,4	4,6	SAS OUT PORT - SAS IN PORT
745480218	2	38.26	41.96	2	2	SAS - IN PORT
745480221	2	38.26	41.96	6	6	SAS - OUT PORT
745480224	2	38.26	41.96	3	3	SR10

IPASS IS A TRADE MARK OF MOLEX.

REV	DESCRIPTION	QUALITY SYMBOLS	GENERAL TOLERANCES (UNLESS SPECIFIED)		DIMENSION STYLE		SCALE	DESIGN UNITS	THIRD ANGLE PROJECTION
			mm	INCH	MM ONLY	DATE			
1	4 PLACES	∇=0	±	±	DRAWN BY	DATE	1:1	METRIC	I-PASS 26 CKT ZERO DEG. EMI GUIDE RAIL HOUSING ASSEMBLY, MULTI PORT
2	3 PLACES	∇=0	±	±	SNAVARRO	2006/05/26			
3	2 PLACES	∇=0	±	±	CHECKED BY	DATE			
4	1 PLACE	∇=0	±	±	BREED	2006/05/26	TITLE		molex
5	0 PLACE	∇=0	±	±	APPROVED BY	DATE	DOCUMENT NO.		
SEE REVISION TABLE			ANGULAR ±1/2°		MATERIAL NO.		SHEET NO.		2 OF 4
EC NO: CP62015-0132			DRAFT WHERE APPLICABLE MUST REMAIN WITHIN DIMENSIONS		SEE TABLE		INCORPORATED AND SHOULD NOT BE USED WITHOUT WRITTEN PERMISSION		
DRWNSYANG16 2013/09/27									
CHKDEWANG07 2014/08/15									
APPRCHEN08 2014/06/19									



DETAIL1
Scale 5:1


PART NUMBER	PORT SIZE	SW	OAW	KEY(S)	IDENTIFIERS
745480201	1	19.24	22.95	1	SATA - 'X' CABLES
745480209	1	19.24	22.95	2,4	SAS OUT PORT/END DEVICE
745480210	1	19.24	22.95	4,6	SAS IN PORT/END DEVICE
745480211	1	19.24	22.95	4	SAS UNIVERSAL PORT
745480214	1	19.24	22.95	7	SATA - 'M' CABLES
745480219	1	19.24	22.95	2	SAS OUT PORT
745480222	1	19.24	22.95	6	SAS IN PORT
745480225	1	19.24	22.95	3	SR10
745480229	1	19.24	22.95	2,7	CX4

PCB THICKNESS	SCREW LENGTH	TORQUE (IN LBS)
1.6 (.063")	5MM	2.3
2.38 (.093")	6MM	2.3
3.2 (.125")	6MM	2.3
X	+4MM MAX	2.3

SEE REVISION TABLE EC NO: (P162015-0132 DRAWN BY: 2013/09/27 CHKD BY: 2014/06/15 APPR: 2014/06/15	QUALITY SYMBOLS ▽=0 ▽=0 ▽=0	GENERAL TOLERANCES (UNLESS SPECIFIED)		DIMENSION STYLE		SCALE	DESIGN UNITS	THIRD ANGLE PROJECTION
		mm	INCH	MM ONLY	DATE	1:1	METRIC	⊙
		4 PLACES	± .005	± .005	DRAWN BY	DATE	TITLE I-PASS 26 CKT ZERO DEG. EMI GUIDE RAIL HOUSING ASSEMBLY, MULTI PORT	
		3 PLACES	± .005	± .005	CHECKED BY	DATE		
		2 PLACES	± 0.13	± .005	APPROVED BY	DATE	DOCUMENT NO. SD-74548-200	
		1 PLACE	± 0.25	± .005	MATERIAL NO.	DATE		
		0 PLACE	±	±	DRAFT WHERE APPLICABLE MUST REMAIN WITHIN DIMENSIONS		SHEET NO. 3 OF 4	
		ANGULAR ±1/2°		SEE TABLE		THIS DRAWING CONTAINS INFORMATION THAT IS PROPRIETARY TO MOLEX INCORPORATED AND SHOULD NOT BE USED WITHOUT WRITTEN PERMISSION		

10 9 8 7 6 5 4 3 2 1

DATE	REV	DESCRIPTION
2014/08/14	U	1.CHANGED 40.0 TO 40.0 REF 0B9 [SHEET 1] 2.CHANGED DIM 25.09 TO 25.09 REF 0A10 BASED ON SFF-8088 [SHEET 1] 3.ADDED NOTE FOR DIM 8.63 +0.13/-0.18 0A7 [SHEET 1] 4.ADDED DIM 15.25MAX 0B9 BASED ON SFF-8088 [SHEET 1] 5.ADDED REVISION HISTORY [SHEET 4]. 6.CHANGED ALL LOCATIONS OF DIMENSION MULTIPLIERS. (EX: 'YY(3)' TO '3X YY')

SEE REVISION TABLE EC NO: CP62015-0132 DRAWNSYANG16 CHKDEWANG07 APPRPERCHEN08	2013/09/27 2014/08/15 2014/08/19	QUALITY SYMBOLS	GENERAL TOLERANCES (UNLESS SPECIFIED)		DIMENSION STYLE MM ONLY		SCALE 1:1	DESIGN UNITS METRIC	THIRD ANGLE PROJECTION
		▽=0	4 PLACES ±	mm	INCH	DRAWN BY SNAVARRO	DATE 2006/05/26	TITLE I-PASS 26 CKT ZERO DEG. EMI GUIDE RAIL HOUSING ASSEMBLY, MULTI PORT	
		▽=0	3 PLACES ±			CHECKED BY BREED	DATE 2006/05/26		
		▽=0	2 PLACES ±	0.13		APPROVED BY DDOYE	DATE 2006/05/26		
▽=0	1 PLACE ±	0.25		MATERIAL NO. SEE TABLE	DOCUMENT NO. SD-74548-200				
		0 PLACE ±						SHEET NO. 4 OF 4	
DRAFT WHERE APPLICABLE MUST REMAIN WITHIN DIMENSIONS			THIS DRAWING CONTAINS INFORMATION THAT IS PROPRIETARY TO MOLEX INCORPORATED AND SHOULD NOT BE USED WITHOUT WRITTEN PERMISSION						

9 8 7 6 5 4 3 2 1