

Excellent Integrated System Limited

Stocking Distributor

Click to view price, real time Inventory, Delivery & Lifecycle Information:

[Molex Connector Corporation](#)
[0751150048](#)

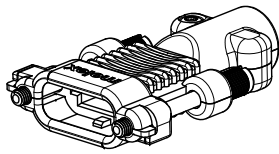
For any questions, you can email us directly:

sales@integrated-circuit.com

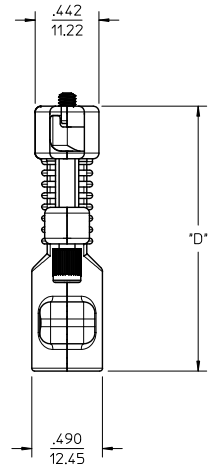
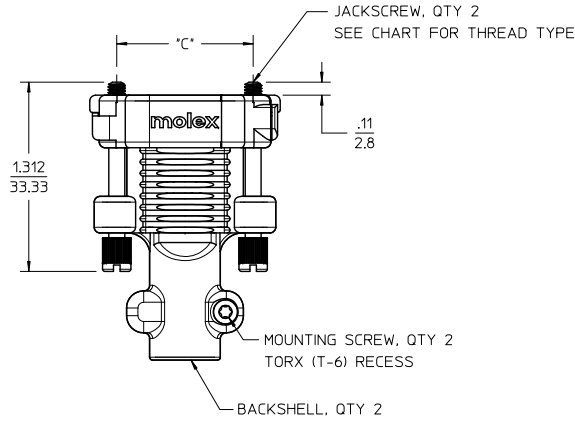
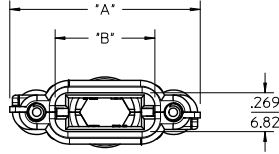
| CKT SIZE | "A" DIM | "B" DIM | "C" DIM | "D" DIM | "E" DIM | CABLE OD |
|----------|-------------|-------------|-------------|-------------|------------|------------|
| 18 | 1.320/33.55 | .691/17.56 | .950/24.13 | 1.835/46.62 | .490/12.45 | .310/7.87 |
| 28 | 1.570/39.90 | .941/23.91 | 1.200/30.48 | 1.835/46.62 | .490/12.45 | .335/8.51 |
| 48 | 2.070/52.60 | 1.441/36.61 | 1.700/43.18 | 2.478/62.93 | .569/14.45 | .440/11.18 |

NOTES:

1. MATERIALS:
 BACKSHELL - ZINC ALLOY DIE CAST, FINISH BLACK POLYURETHANE ENAMEL.
 JACKSCREW - STEEL ALLOY, FINISH BLACK ZINC PLATING.
 MOUNTING SCREW - STEEL ALLOY, FINISH BLACK ZINC PLATING.
2. PLUG CABLE KIT COMPONENTS TO BE BULK PACKAGED PER PK-75115-990.
3. MOUNTING SCREW APPLICATION TORQUE TO BE MIN. 3 lbf-in AND NOT TO EXCEED 4 lbf-in.
4. STRAIN RELIEF IS DESIGNED FOR THE CABLE DIAMETER SPECIFIED IN TABLE ON THIS PAGE.
 WHEN USING SMALLER CABLE DIAMETER, USE HEAT SHRINK TUBING TO BUILD UP THE CABLE TO SPECIFIED DIAMETER.
5. PARTS CONFORM TO CLASS B OF COSMETIC SPECIFICATION PS-45499-002.



18 CIRCUIT PLUG CABLE KIT SHOWN



| | | |
|---------------------------------|-------------------------------|--------------|
| 75115-0048 | 75115-1048 | 48 |
| 75115-0028 | 75115-1028 | 28 |
| 75115-0018 | 75115-1018 | 18 |
| PLUG CABLE KIT (4-40 JACKSCREW) | PLUG CABLE KIT (M3 JACKSCREW) | CIRCUIT SIZE |

| CORRECT LENGTH DIM | REV | DESCRIPTION | QUALITY SYMBOLS | GENERAL TOLERANCES (UNLESS SPECIFIED) | | DIMENSION STYLE | | SCALE | DESIGN UNITS | THIRD ANGLE PROJECTION |
|--|-----|-------------|-----------------|--|--------|-----------------|----------|-------|--------------|---|
| | | | | mm | INCH | IN/MM | DATE | | | |
| EC NO: UCP2011-3769 DRAWN BY: DRINKIRGAN 2011/06/02 CHKD BY: CHIKDIRBARA 2011/06/02 APPR: MILLER 2011/06/20 | | | ∇=0 | 4 PLACES ± --- | ± --- | TMCLELL | 02/11/05 | 2:1 | METRIC | SALES DRAWING TDP PLUG CABLE KIT BLACK FINISH |
| | | | ∇=0 | 3 PLACES ± --- | ± .010 | TMCLELL | 02/11/07 | | | |
| | | | ∇=0 | 2 PLACES ± 0.25 | ± .015 | TMCLELL | 02/11/07 | | | |
| | | | ∇=0 | 1 PLACE ± 0.38 | ± --- | BANAKIS | 02/11/07 | | | |
| | | | | ANGULAR ± 1/2° | | | | | | MOLEX INCORPORATED |
| | | | | DRAFT WHERE APPLICABLE MUST REMAIN WITHIN DIMENSIONS | | SEE CHART | | | | SD-75115-001 |
| | | | | | | | | | | 1 OF 1 |