

Excellent Integrated System Limited

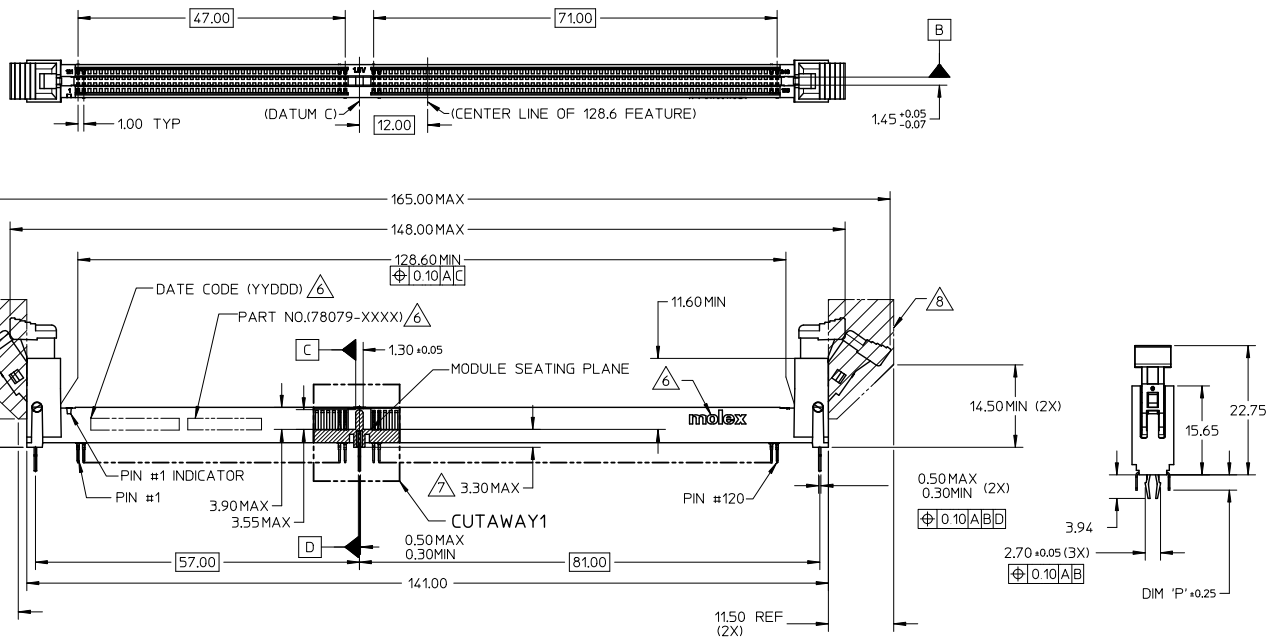
Stocking Distributor

Click to view price, real time Inventory, Delivery & Lifecycle Information:

[Molex Connector Corporation](#)
[0780790351](#)

For any questions, you can email us directly:

sales@integrated-circuit.com

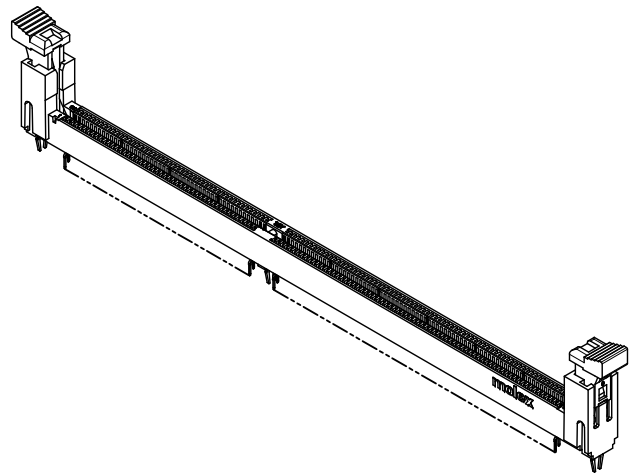
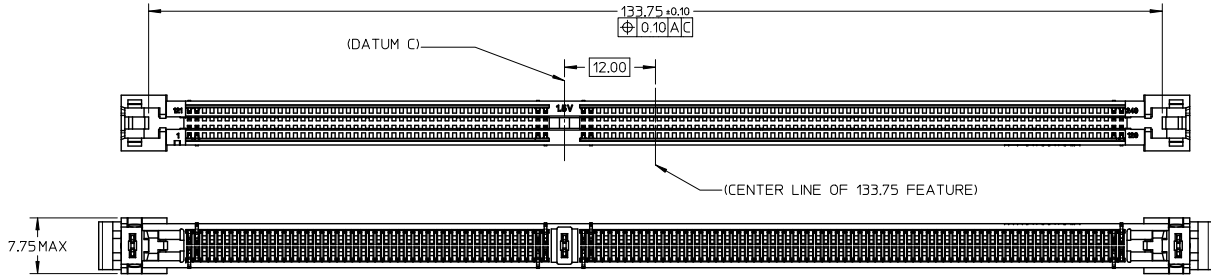


NOTES :

- MATERIAL : HOUSING - HIGH TEMP. NYLON, GLASS FILLED, UL 94V-0
COLOUR : SEE SHEET 6 AND 7
LATCH - HIGH TEMP NYLON, GLASS FILLED, UL 94V-0
COLOUR : SEE SHEET 6 AND 7
TERMINAL : COPPER ALLOY.
 - TERMINAL PLATING OPTIONS: SEE TABLE ON SHEETS 6 & 7.
 - PRODUCT SPECIFICATION: SEE TABLE ON SHEETS 6 & 7.
 - PACKAGING INFORMATION: PRODUCT SHALL BE PACKED IN TRAY
 - CARD SLOT ACCEPTS 1.27±0.10MM MODULE THICKNESS (MEASURED FROM P.C. PADS).
6. MOLEX LOGO, DATE & PART NO. INDICATED ON HOUSING.
 7. MODULE SEATING PLANE FROM TOP OF PCB.
 8. KEEP OUT ZONE RESERVED FOR LATCH.

FORKLOCK UPDATED EC NO: S2010-0888 DRAWN: JAKEWEN CHKD: CCHEN APPR: SHLENI	2010/06/29 2010/06/10 2010/06/13	QUALITY SYMBOLS √=0 √=0 √=0	GENERAL TOLERANCES (UNLESS SPECIFIED) 4 PLACES ± --- ± --- 3 PLACES ± --- ± --- 2 PLACES ± 0.2 ± --- 1 PLACE ± --- ± --- ANGULAR ± 1°	DIMENSION STYLE MM ONLY	SCALE NTS	DESIGN UNITS METRIC	THIRD ANGLE PROJECTION	
	DRAWN BY YTYANG01	DATE 2006/08/11	CHECKED BY SHLENI	DATE 2006/09/07	APPROVED BY SHLENI	DATE 2010/06/10	TITLE DDR3 DIMM, 1.00MM PITCH 240 CKTS, VERTICAL T/H	MATERIAL NO. SEE TABLE
	DOCUMENT NO. SD-78079-001	SHEET NO. 1 OF 8	MOLEX INCORPORATED					
	DRAFT WHERE APPLICABLE MUST REMAIN WITHIN DIMENSIONS SIZE A3 THIS DRAWING CONTAINS INFORMATION THAT IS PROPRIETARY TO MOLEX INCORPORATED AND SHOULD NOT BE USED WITHOUT WRITTEN PERMISSION							

10 9 8 7 6 5 4 3 2 1

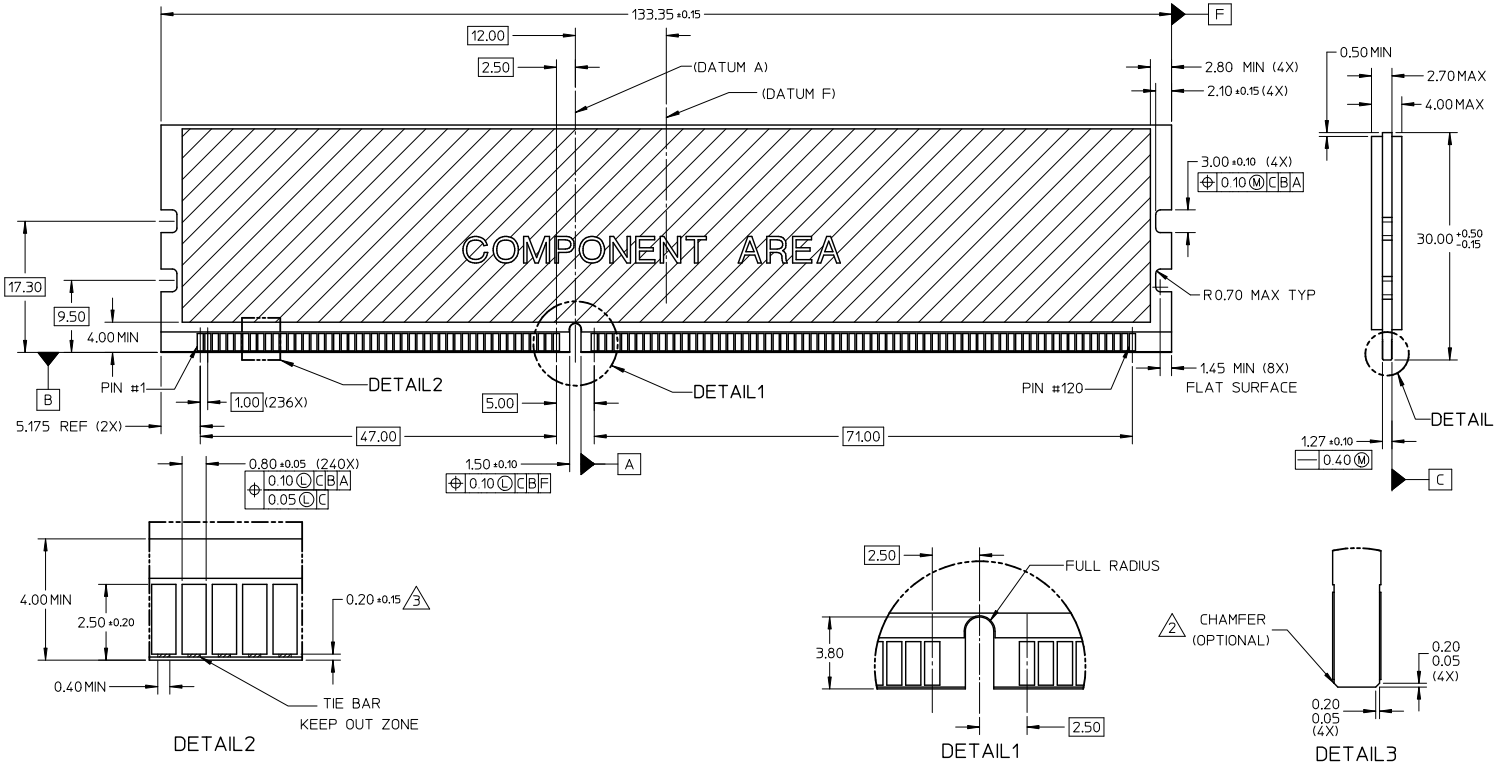


FORK LOCK UPDATED EC NO: S2010-0888 DRAWN: JAKEWEN CHKD: CCTEH APPR: SHLENI	2010/06/29 2010/06/10 2010/06/13	QUALITY SYMBOLS √=0 √=0 √=0	GENERAL TOLERANCES (UNLESS SPECIFIED)		DIMENSION STYLE MM ONLY		SCALE NTS	DESIGN UNITS METRIC	THIRD ANGLE PROJECTION	
			4 PLACES ± --- ± --- 3 PLACES ± --- ± --- 2 PLACES ± 0.2 ± --- 1 PLACE ± --- ± ---	DRAWN BY YTYANG01	DATE 2006/08/11	TITLE DDR3 DIMM, 1.00MM PITCH 240 CKTS, VERTICAL T/H				
			ANGULAR ± 1 °	CHECKED BY SHLENI	DATE 2006/09/07	MOLEX INCORPORATED				
	DRAFT WHERE APPLICABLE MUST REMAIN WITHIN DIMENSIONS		MATERIAL NO. SEE TABLE	APPROVED BY SHLENI	DATE 2010/06/10	DOCUMENT NO. SD-78079-001	SHEET NO. 2 OF 8			

9 8 7 6 5 4 3 2 1

10 9 8 7 6 5 4 3 2 1

MODULE CARD
DDR3 DUAL IN-LINE MEMORY MODULE FAMILY 1.00MM CONTACT CENTERS
(JEDEC MO-269, ISSUE B, MAY 06)



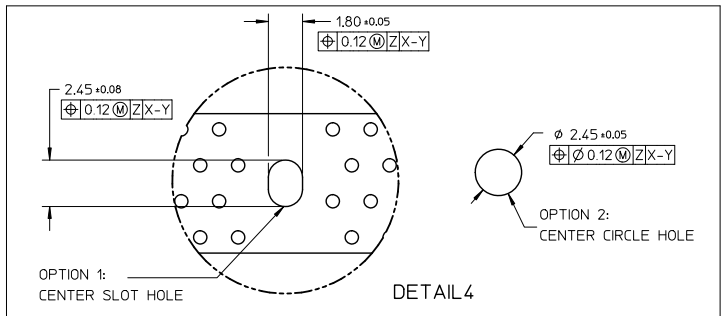
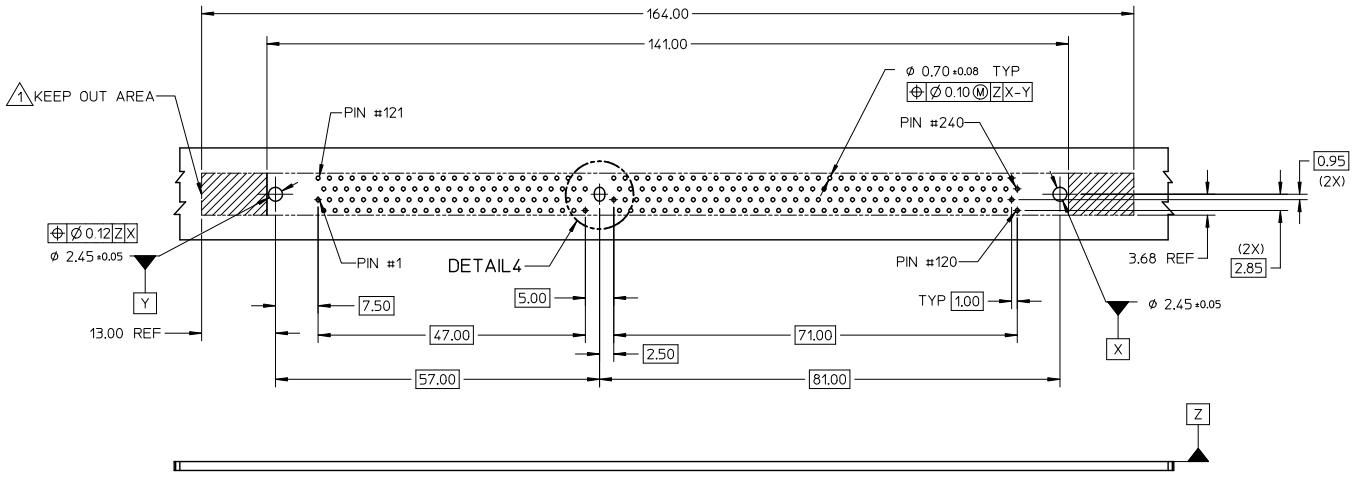
NOTES:
1. RECOMMENDED PLATING FOR CONTACT PADS:
PREFERRED: 0.76 MICROMETERS GOLD PLATING MIN OVER 2.00 MICROMETERS NICKEL
ALTERNATIVE: 0.05-0.75 MICROMETERS GOLD PLATING OVER 2.00 MICROMETERS NICKEL MUST USE AN ELECTRONIC CONTACT GRADE CORROSIVE BARRIER LUBRICANT
CHAMFER IS OPTIONAL AND IS NOT TO HIT THE GOLD PADS
LEADING EDGE OF GOLD PADS SPECIFIED BY KEEPOUT ZONE SHALL BE FREE OF BURRS AND EXTERNAL TIE BARS.

FORKLOCK UPDATED EC NO: S2010-0888 DRAWN: JAKEMEW 2010/06/29 CHKD: CCTEH 2010/06/10 APPR: SHLENI 2010/06/13 A4	QUALITY SYMBOLS √=0 ∇=0 ∇=0	GENERAL TOLERANCES (UNLESS SPECIFIED)		DIMENSION STYLE MM ONLY		SCALE NTS	DESIGN UNITS METRIC	THIRD ANGLE PROJECTION
		4 PLACES ± --- ± ---	DRAWN BY YTYANG01	DATE 2006/08/11	TITLE DDR3 DIMM, 1.00MM PITCH 240 CKTS, VERTICAL T/H			
		3 PLACES ± --- ± ---	CHECKED BY SHLENI	DATE 2006/09/07	MOLEX INCORPORATED			
		2 PLACES ± 0.2 ± --- 1 PLACE ± --- ± --- ANGULAR ± 1 °	APPROVED BY SHLENI	DATE 2010/06/10	MATERIAL NO. SEE TABLE	DOCUMENT NO. SD-78079-001	SHEET NO. 3 OF 8	

9 8 7 6 5 4 3 2 1

THIS DRAWING CONTAINS INFORMATION THAT IS PROPRIETARY TO MOLEX INCORPORATED AND SHOULD NOT BE USED WITHOUT WRITTEN PERMISSION

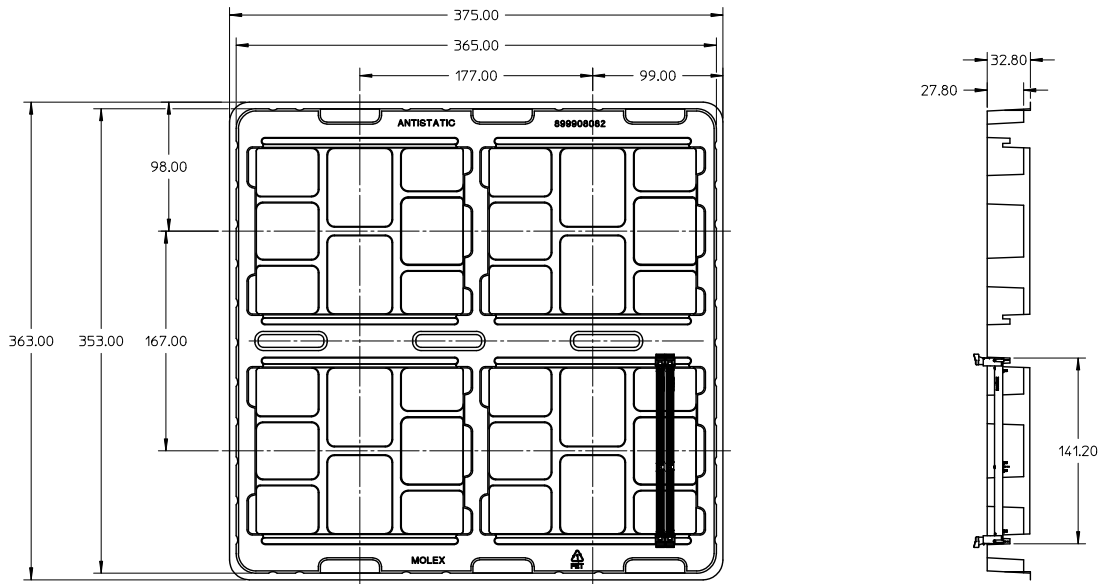
10 9 8 7 6 5 4 3 2 1



NOTE:
KEEP OUT AREA IS THE AREA WHERE THE CONNECTOR (INCLUDING LATCH) IS MOUNTED ON THE PCB.

QUALITY SYMBOLS 0.1 0.2 0.5	4 PLACES ± --- ± --- 3 PLACES ± --- ± --- 2 PLACES ± 0.2 ± --- 1 PLACE ± --- ± --- ANGULAR ± 1°	GENERAL TOLERANCES (UNLESS SPECIFIED) mm INCH DRAWN BY DATE YTYANG01 2006/08/11 CHECKED BY DATE SHLENI 2006/09/07 APPROVED BY DATE SHLENI 2010/06/10	DIMENSION STYLE MM ONLY SCALE NTS DESIGN UNITS METRIC THIRD ANGLE PROJECTION	TITLE DDR3 DIMM, 1.00MM PITCH 240 CKTS, VERTICAL T/H	
	FORKLOCK UPDATED EC. NO. S2010-0888 DRAWN: JAKEMEW 2010/06/29 CHKD: CCTEH 2010/06/10 APPR: SHLENI 2010/06/13	MATERIAL NO. SEE TABLE	DOCUMENT NO. SD-78079-001	SHEET NO. 4 OF 8	MOLEX INCORPORATED
	DRAFT WHERE APPLICABLE MUST REMAIN WITHIN DIMENSIONS	SIZE A3	THIS DRAWING CONTAINS INFORMATION THAT IS PROPRIETARY TO MOLEX INCORPORATED AND SHOULD NOT BE USED WITHOUT WRITTEN PERMISSION		
	REV A4				

9 8 7 6 5 4 3 2 1



NOTES:
1. QTY OF CAVITY: 20 X 4 = 80 PCS

FORKLOCK UPDATED EC NO: S2010-0888 DRAWN: JAKEWEN 2010/06/29 CHKD: CCTEH 2010/06/10 APPR: SHLENI 2010/06/13 REV: A4	QUALITY SYMBOLS $\nabla=0$ $\nabla=0$ $\nabla=0$	GENERAL TOLERANCES (UNLESS SPECIFIED) <table border="1"> <thead> <tr> <th></th> <th>mm</th> <th>INCH</th> </tr> </thead> <tbody> <tr> <td>4 PLACES</td> <td>± ---</td> <td>± ---</td> </tr> <tr> <td>3 PLACES</td> <td>± ---</td> <td>± ---</td> </tr> <tr> <td>2 PLACES</td> <td>± 0.2</td> <td>± ---</td> </tr> <tr> <td>1 PLACE</td> <td>± ---</td> <td>± ---</td> </tr> <tr> <td colspan="3">ANGULAR ± 1 °</td> </tr> </tbody> </table>		mm	INCH	4 PLACES	± ---	± ---	3 PLACES	± ---	± ---	2 PLACES	± 0.2	± ---	1 PLACE	± ---	± ---	ANGULAR ± 1 °			DIMENSION STYLE MM ONLY DRAWN BY: YTYANG01 DATE: 2006/08/11 CHECKED BY: SHLENI DATE: 2006/09/07 APPROVED BY: SHLENI DATE: 2010/06/10	SCALE: NTS DESIGN UNITS: METRIC THIRD ANGLE PROJECTION	TITLE: DDR3 DIMM, 1.00MM PITCH 240 CKTS, VERTICAL T/H
		mm	INCH																				
	4 PLACES	± ---	± ---																				
	3 PLACES	± ---	± ---																				
2 PLACES	± 0.2	± ---																					
1 PLACE	± ---	± ---																					
ANGULAR ± 1 °																							
	DRAFT WHERE APPLICABLE MUST REMAIN WITHIN DIMENSIONS	MATERIAL NO.: SEE TABLE SIZE: A3	MOLEX INCORPORATED DOCUMENT NO.: SD-78079-001	SHEET NO.: 5 OF 8	THIS DRAWING CONTAINS INFORMATION THAT IS PROPRIETARY TO MOLEX INCORPORATED AND SHOULD NOT BE USED WITHOUT WRITTEN PERMISSION																		

10 9 8 7 6 5 4 3 2 1

ASSEMBLY PART NO.	VOLTAGE KEY	HOUSING COLOR	LATCH COLOR	DIM 'P'	RECOMMENDED PCB THICKNESS	PLATING OPTION	PRODUCT SPECIFICATION		
78079-0001	CENTRE (1.5V)	BLACK	BLACK	2.67	1.57	0.38 MICROMETER/ 15 MICROINCH MIN. GOLD ON CONTACT 2.54 MICROMETER/ 100 MICROINCH MIN. PURE TIN ON SOLDER TAILS 1.27 MICROMETER/ 50 MICROINCH MIN. NICKEL UNDERPLATE	PS-78079-001		
78079-0003				3.00	2.18				
78079-0002				3.18	2.36				
78079-0011				2.67	1.57	0.76 MICROMETER/ 30 MICROINCH MIN. GOLD ON CONTACT 2.54 MICROMETER/ 100 MICROINCH MIN. PURE TIN ON SOLDER TAILS 1.27 MICROMETER/ 50 MICROINCH MIN. NICKEL UNDERPLATE		PS-78079-002	
78079-0013				3.00	2.18				
78079-0012				3.18	2.36				
78079-0021				2.67	1.57	0.076 MICROMETER/ 3 MICROINCH MIN. GOLD ON CONTACT 2.54 MICROMETER/ 100 MICROINCH MIN. PURE TIN ON SOLDER TAILS 1.27 MICROMETER/ 50 MICROINCH MIN. NICKEL UNDERPLATE			PS-78079-003
78079-0023				3.00	2.18				
78079-0022				3.18	2.36				
78079-0051			NATURAL (OFFWHITE)	2.67	1.57	0.38 MICROMETER/ 15 MICROINCH MIN. GOLD ON CONTACT 2.54 MICROMETER/ 100 MICROINCH MIN. PURE TIN ON SOLDER TAILS 1.27 MICROMETER/ 50 MICROINCH MIN. NICKEL UNDERPLATE	PS-78079-001		
78079-0053				3.00	2.18				
78079-0052				3.18	2.36				
78079-0061				2.67	1.57	0.76 MICROMETER/ 30 MICROINCH MIN. GOLD ON CONTACT 2.54 MICROMETER/ 100 MICROINCH MIN. PURE TIN ON SOLDER TAILS 1.27 MICROMETER/ 50 MICROINCH MIN. NICKEL UNDERPLATE		PS-78079-002	
78079-0063				3.00	2.18				
78079-0062				3.18	2.36				
78079-0071				2.67	1.57	0.076 MICROMETER/ 3 MICROINCH MIN. GOLD ON CONTACT 2.54 MICROMETER/ 100 MICROINCH MIN. PURE TIN ON SOLDER TAILS 1.27 MICROMETER/ 50 MICROINCH MIN. NICKEL UNDERPLATE			PS-78079-003
78079-0073				3.00	2.18				
78079-0072				3.18	2.36				

FORKLOCK UPDATED EC NO: S2010-0888 DRAWN: JAKEWEN 2010/06/29 CHKD: CCTEH 2010/06/10 APPR: SHLENI 2010/06/13 REV: A4	QUALITY SYMBOLS ∇=0 ∇=0 ∇=0	GENERAL TOLERANCES (UNLESS SPECIFIED) mm INCH 4 PLACES ± --- ± --- 3 PLACES ± --- ± --- 2 PLACES ± 0.2 ± --- 1 PLACE ± --- ± --- ANGULAR ± 1 °	DIMENSION STYLE MM ONLY DRAWN BY DATE YTYANG01 2006/08/11 CHECKED BY DATE SHLENI 2006/09/07 APPROVED BY DATE SHLENI 2010/06/10	SCALE NTS DESIGN UNITS METRIC THIRD ANGLE PROJECTION	TITLE DDR3 DIMM, 1.00MM PITCH 240 CKTS, VERTICAL T/H
	DRAFT WHERE APPLICABLE MUST REMAIN WITHIN DIMENSIONS		MATERIAL NO. SEE TABLE	MOLEX INCORPORATED	SHEET NO. 6 OF 8
	THIS DRAWING CONTAINS INFORMATION THAT IS PROPRIETARY TO MOLEX INCORPORATED AND SHOULD NOT BE USED WITHOUT WRITTEN PERMISSION			DOCUMENT NO. SD-78079-001	

9 8 7 6 5 4 3 2 1

10 9 8 7 6 5 4 3 2 1

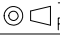
ASSEMBLY PART NO.	VOLTAGE KEY	HOUSING COLOR	LATCH COLOR	DIM 'P'	RECOMMENDED PCB THICKNESS	PLATING OPTION	PRODUCT SPECIFICATION	
78079-0201	CENTRE (1.5V)	BLUE	NATURAL	2.67	1.57	0.38 MICROMETER/ 15 MICROINCH MIN. GOLD ON CONTACT 2.54 MICROMETER/ 100 MICROINCH MIN. PURE TIN ON SOLDER TAILS 1.27 MICROMETER/ 50 MICROINCH MIN. NICKEL UNDERPLATE	PS-78079-001	
78079-0203				3.00	2.18			
78079-0202				3.18	2.36			
78079-0211				2.67	1.57	0.76 MICROMETER/ 30 MICROINCH MIN. GOLD ON CONTACT 2.54 MICROMETER/ 100 MICROINCH MIN. PURE TIN ON SOLDER TAILS 1.27 MICROMETER/ 50 MICROINCH MIN. NICKEL UNDERPLATE		PS-78079-002
78079-0213				3.00	2.18			
78079-0212				3.18	2.36			
78079-0221		2.67	1.57	0.076 MICROMETER/ 3 MICROINCH MIN. GOLD ON CONTACT 2.54 MICROMETER/ 100 MICROINCH MIN. PURE TIN ON SOLDER TAILS 1.27 MICROMETER/ 50 MICROINCH MIN. NICKEL UNDERPLATE	PS-78079-003			
78079-0223		3.00	2.18					
78079-0222		3.18	2.36					
78079-0351		GREEN	NATURAL (OFFWHITE)	2.67		1.57	0.38 MICROMETER/ 15 MICROINCH MIN. GOLD ON CONTACT 2.54 MICROMETER/ 100 MICROINCH MIN. PURE TIN ON SOLDER TAILS 1.27 MICROMETER/ 50 MICROINCH MIN. NICKEL UNDERPLATE	PS-78079-001
78079-0353				3.00		2.18		
78079-0352				3.18		2.36		
78079-0361				2.67	1.57	0.76 MICROMETER/ 30 MICROINCH MIN. GOLD ON CONTACT 2.54 MICROMETER/ 100 MICROINCH MIN. PURE TIN ON SOLDER TAILS 1.27 MICROMETER/ 50 MICROINCH MIN. NICKEL UNDERPLATE	PS-78079-002	
78079-0363				3.00	2.18			
78079-0362				3.18	2.36			
78079-0371		2.67	1.57	0.076 MICROMETER/ 3 MICROINCH MIN. GOLD ON CONTACT 2.54 MICROMETER/ 100 MICROINCH MIN. PURE TIN ON SOLDER TAILS 1.27 MICROMETER/ 50 MICROINCH MIN. NICKEL UNDERPLATE	PS-78079-003			
78079-0373		3.00	2.18					
78079-0372		3.18	2.36					

FORKLOCK UPDATED EC NO: S2010-0888 DRAWN: JAKEEWEH 2010/06/29 CHKD: CCTEH 2010/06/10 APPR: SHLENI 2010/06/13 REV: A4	QUALITY SYMBOLS	GENERAL TOLERANCES (UNLESS SPECIFIED)	DIMENSION STYLE	SCALE	DESIGN UNITS	THIRD ANGLE PROJECTION	
	$\nabla=0$ $\nabla=0$ $\nabla=0$	4 PLACES ± --- ± --- 3 PLACES ± --- ± --- 2 PLACES ± 0.2 ± --- 1 PLACE ± --- ± --- ANGULAR ± 1 °	MM ONLY	NTS	METRIC	DRAWN BY DATE YTYANG01 2006/08/11 CHECKED BY DATE SHLENI 2006/09/07 APPROVED BY DATE SHLENI 2010/06/10	TITLE DDR3 DIMM, 1.00MM PITCH 240 CKTS, VERTICAL T/H MOLEX INCORPORATED
		DRAFT WHERE APPLICABLE MUST REMAIN WITHIN DIMENSIONS	SEE TABLE	MATERIAL NO.	DOCUMENT NO.	SHEET NO.	
				SD-78079-001	7 OF 8		

9 8 7 6 5 4 3 2 1

10 9 8 7 6 5 4 3 2 1

ASSEMBLY PART NO.	VOLTAGE KEY	HOUSING COLOR	LATCH COLOR	DIM 'P'	RECOMMENDED PCB THICKNESS	PLATING OPTION	PRODUCT SPECIFICATION			
78079-0101	CENTRE (1.5V)	NATURAL (OFFWHITE)	NATURAL (OFFWHITE)	2.67	1.57	0.38 MICROMETER/ 15 MICROINCH MIN. GOLD ON CONTACT 2.54 MICROMETER/ 100 MICROINCH MIN. PURE TIN ON SOLDER TAILS 1.27 MICROMETER/ 50 MICROINCH MIN. NICKEL UNDERPLATE	PS-78079-001			
78079-0103				3.00	2.18					
78079-0102				3.18	2.36					
78079-0111				CENTRE (1.5V)	NATURAL (OFFWHITE)	NATURAL (OFFWHITE)	2.67	1.57	0.76 MICROMETER/ 30 MICROINCH MIN. GOLD ON CONTACT 2.54 MICROMETER/ 100 MICROINCH MIN. PURE TIN ON SOLDER TAILS 1.27 MICROMETER/ 50 MICROINCH MIN. NICKEL UNDERPLATE	PS-78079-002
78079-0113							3.00	2.18		
78079-0112							3.18	2.36		
78079-0121				CENTRE (1.5V)	NATURAL (OFFWHITE)	NATURAL (OFFWHITE)	2.67	1.57	0.076 MICROMETER/ 3 MICROINCH MIN. GOLD ON CONTACT 2.54 MICROMETER/ 100 MICROINCH MIN. PURE TIN ON SOLDER TAILS 1.27 MICROMETER/ 50 MICROINCH MIN. NICKEL UNDERPLATE	PS-78079-003
78079-0123							3.00	2.18		
78079-0122							3.18	2.36		

FORKLOCK UPDATED EC NO: S2010-0888 DRAWN: JAKEWEN 2010/06/29 CHKD: CCHEN 2010/06/10 APPR: SHLENI 2010/06/13 REV: A4	QUALITY SYMBOLS	GENERAL TOLERANCES (UNLESS SPECIFIED)	DIMENSION STYLE	SCALE	DESIGN UNITS	THIRD ANGLE PROJECTION
	$\sqrt{\text{---}}=0$ $\sqrt{\text{---}}=0$ $\sqrt{\text{---}}=0$	mm INCH 4 PLACES ± --- ± --- 3 PLACES ± --- ± --- 2 PLACES ± 0.2 ± --- 1 PLACE ± --- ± --- ANGULAR ± 1°	MM ONLY	NTS	METRIC	 THIRD ANGLE PROJECTION
	DESCRIPTION	DRAFT WHERE APPLICABLE MUST REMAIN WITHIN DIMENSIONS	DRAWN BY DATE YTYANG01 2006/08/11 CHECKED BY DATE SHLENI 2006/09/07 APPROVED BY DATE SHLENI 2010/06/10	TITLE	DDR3 DIMM, 1.00MM PITCH 240 CKTS, VERTICAL T/H	
			MATERIAL NO. SEE TABLE SIZE A3	MOLEX INCORPORATED DOCUMENT NO. SD-78079-001	SHEET NO. 8 OF 8	

9 8 7 6 5 4 3 2 1