

Excellent Integrated System Limited

Stocking Distributor

Click to view price, real time Inventory, Delivery & Lifecycle Information:

[Molex Connector Corporation](#)
[0874370963](#)

For any questions, you can email us directly:

sales@integrated-circuit.com

10 9 8 7 6 5 4 3 2 1

F

E

D

C

B

A

F

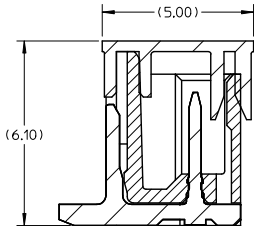
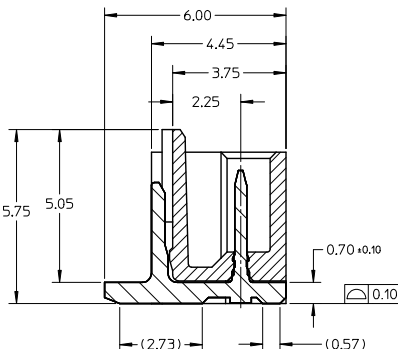
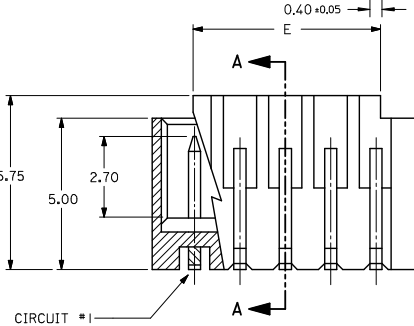
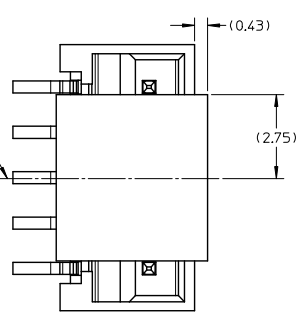
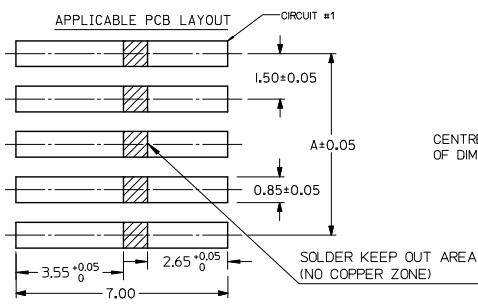
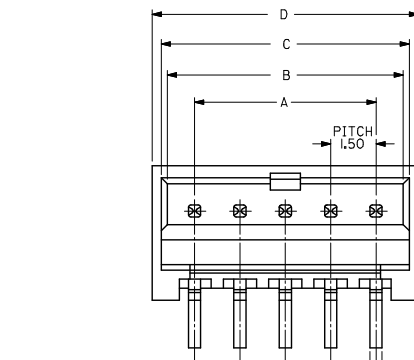
E

D

C

B

A



SECTION A-A (WITHOUT CAP)

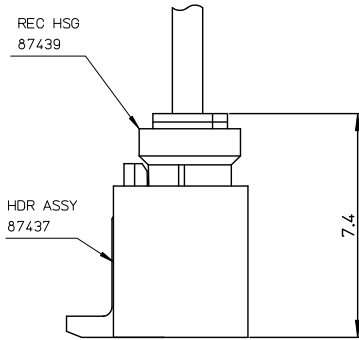
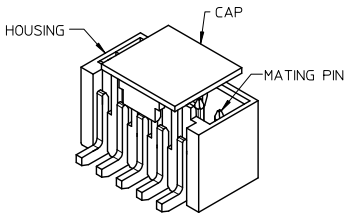
SECTION A-A (WITH CAP)

- NOTES:
- MATERIAL:
HOUSING: NYLON, GLASS FILLED, UL94 V-0, COLOR - SEE TABLE.
CAP: NYLON, GLASS FILLED, UL94V-0, COLOR: BEIGE.
PINS: BRASS ALLOY, C26000, P/N87437-8083.
 - PLATING: 2.54µM. MIN. TIN OVER 1.27µM MIN. NICKEL.
 - DRAWING SHOWS PLUG WITH 5 CIRCUITS.
 - HEADER TO BE USED WITH CRIMP HOUSING, P/N 87439 AND CRIMP TERMINAL, P/N 87421.
 - PARTS TO BE PACKED IN MOISTURE BAG.
 - THIS DRAWING IS RE-DRAWING OF SD-87437-***31.

REVISED EC NO: J2014-0799 DRAWN BY: CHIKAKASAKAWA CHECKED BY: APPR: NUKITA DATE: 2013/11/06 DATE: 2013/11/07 DATE: 2013/11/08	GENERAL TOLERANCES (UNLESS SPECIFIED)		DIMENSION STYLE MM ONLY		SCALE 8:1	DESIGN UNITS METRIC	THIRD ANGLE PROJECTION
	10 UNDER	± 0.20	DRAWN BY TYAJIMA01	DATE 2013/09/19	TITLE 1.50MM PITCH, W-T-B HEADER, VERTICAL, SMT 		
	10 OVER 30 UNDER	± 0.20	CHECKED BY KASAKAWA	DATE 2013/09/20			
	30 OVER	± 0.20	APPROVED BY NUKITA	DATE 2013/09/25			
ANGULAR ± 3 °		MATERIAL NO. SEE TABLE		DOCUMENT NO. SD-87437-001	SHEET NO. 1 OF 4		
DRAFT WHERE APPLICABLE MUST REMAIN WITHIN DIMENSIONS		THIS DRAWING CONTAINS INFORMATION THAT IS PROPRIETARY TO MOLEX INCORPORATED AND SHOULD NOT BE USED WITHOUT WRITTEN PERMISSION					

9 8 7 6 5 4 3 2 1

10 9 8 7 6 5 4 3 2 1

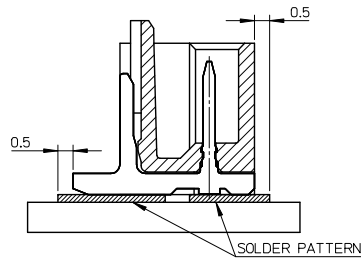


嵌合状態図
MATED CONNECTORS

PART NUMBER ASSIGNMENT

87437-XXXX

- 2- TUBE PACKAGING
- 3- TAPE AND REEL PACKAGING
- 4- BEIGE COLOR HSG } WITHOUT CAP
- 5- BLACK COLOR HSG }
- 6- BLACK COLOR HSG } WITH CAP
- 7- BEIGE COLOR HSG }
- 02 TO 15 CIRCUIT SIZE



MOUNTING POSITION OF THE CONNECTOR

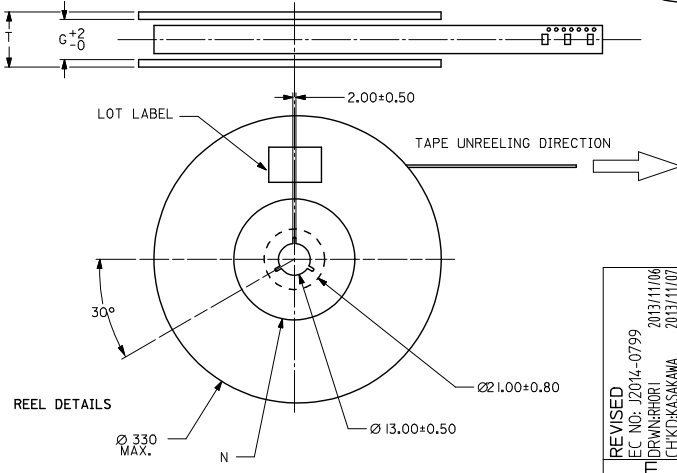
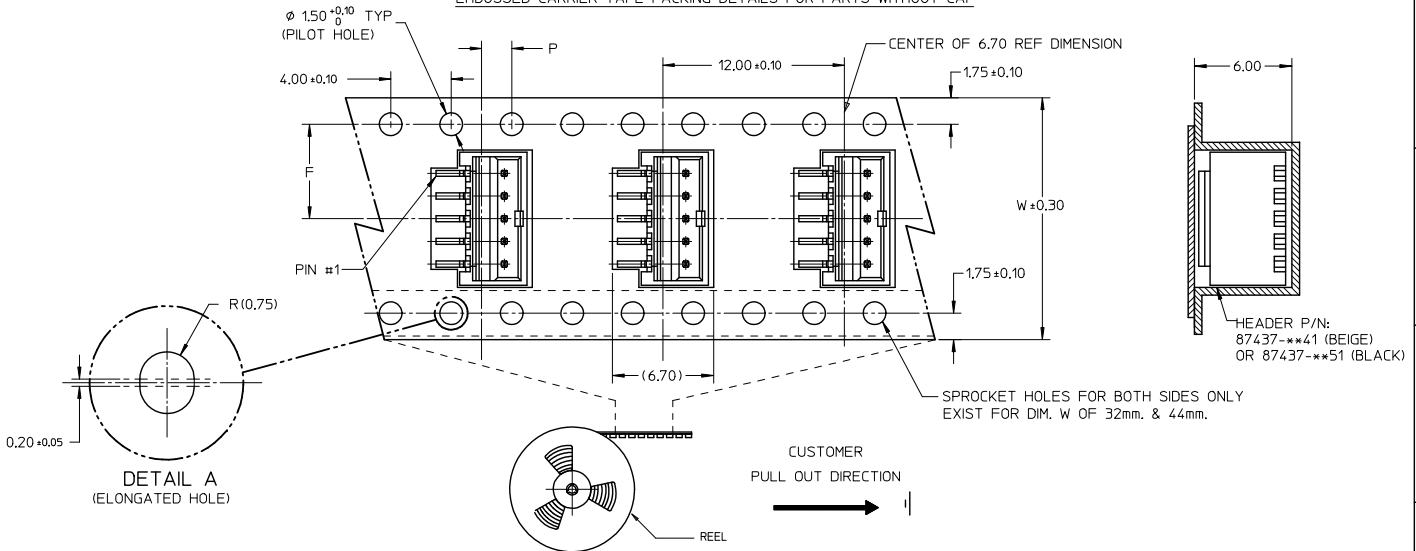
CIRCUIT SIZE	A	B	C	D	E
02	1.50	3.30	3.70	4.30	1.70
03	3.00	4.80	5.20	5.80	3.20
04	4.50	6.30	6.70	7.30	4.70
05	6.00	7.80	8.20	8.80	6.20
06	7.50	9.30	9.70	10.30	7.70
07	9.00	10.80	11.20	11.80	9.20
08	10.50	12.30	12.70	13.30	10.70
09	12.00	13.80	14.20	14.80	12.20
10	13.50	15.30	15.70	16.30	13.70
11	15.00	16.80	17.20	17.80	15.20
12	16.50	18.30	18.70	19.30	16.70
13	18.00	19.80	20.20	20.80	18.20
14	19.50	21.30	21.70	22.30	19.70
15	21.00	22.80	23.20	23.80	21.20

REVISED EC NO: J2014-0799 T: DRW:RHORI 2013/11/06 CHK:KASAKAWA 2013/11/07 APPR:NUKITA 2013/11/08	GENERAL TOLERANCES (UNLESS SPECIFIED)		DIMENSION STYLE	SCALE	DESIGN UNITS	THIRD ANGLE PROJECTION	
	(UNLESS SPECIFIED)		MM ONLY	8:1	METRIC		
	DESCRIPTION	10 UNDER	± 0.20	DRAWN BY	DATE	TITLE 1.50MM PITCH, W-T-B HEADER, VERTICAL, SMT molex	
		10 OVER 30 UNDER	± 0.20	TYAJIMA01	2013/09/19		
	30 OVER	± 0.20	CHECKED BY	DATE			
			KASAKAWA	2013/09/20	DOCUMENT NO. SD-87437-001		
			APPROVED BY	DATE			
			NUKITA	2013/09/25	SHEET NO. 2 OF 4		
	ANGULAR ±3 °		MATERIAL NO.		THIS DRAWING CONTAINS INFORMATION THAT IS PROPRIETARY TO MOLEX INCORPORATED AND SHOULD NOT BE USED WITHOUT WRITTEN PERMISSION		
	DRAFT WHERE APPLICABLE MUST REMAIN WITHIN DIMENSIONS		SEE TABLE				
			SIZE				
			A3				

9 8 7 6 5 4 3 2 1

10 9 8 7 6 5 4 3 2 1

EMBOSSED CARRIER TAPE PACKING DETAILS FOR PARTS WITHOUT CAP

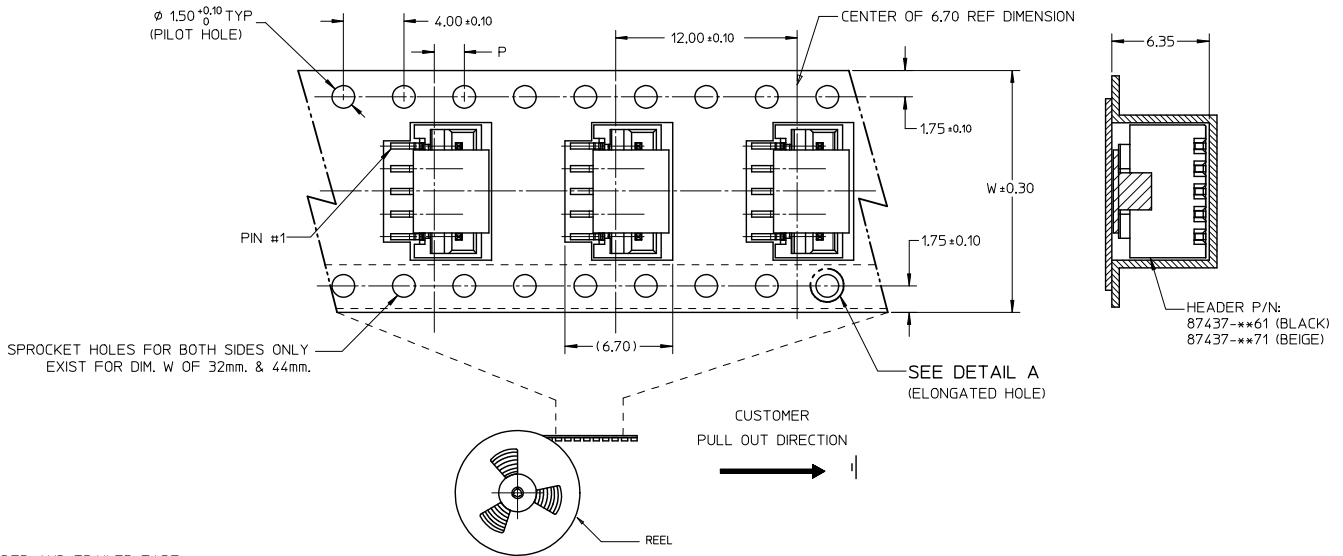


REVISED IEC NO. J2014-0799 DRAWN BY: CHIKIDAKASAKAWA CHECKED BY: CHIKIDAKASAKAWA APPROVED BY: NUKITA DATE: 2013/11/07 DATE: 2013/11/08 DATE: 2013/11/08	GENERAL TOLERANCES (UNLESS SPECIFIED)		DIMENSION STYLE		SCALE	DESIGN UNITS	THIRD ANGLE PROJECTION 1.50MM PITCH, W-T-B HEADER, VERTICAL, SMT molex DOCUMENT NO. SD-87437-001 SHEET NO. 3 OF 4
	(UNLESS SPECIFIED)		MM ONLY		8:1	METRIC	
	10 UNDER	± 0.20	DRAWN BY	DATE	TITLE		
	10 OVER 30 UNDER	± 0.20	TYAJIMA01	2013/09/19	1.50MM PITCH, W-T-B HEADER, VERTICAL, SMT		
30 OVER	± 0.20	CHECKED BY	DATE				
ANGULAR	$\pm 3^\circ$	KASAKAWA	2013/09/20				
DRAFT WHERE APPLICABLE MUST REMAIN WITHIN DIMENSIONS		APPROVED BY	DATE				
		NUKITA	2013/09/25				
		MATERIAL NO.	DATE				
		SEE TABLE					
		THIS DRAWING CONTAINS INFORMATION THAT IS PROPRIETARY TO MOLEX INCORPORATED AND SHOULD NOT BE USED WITHOUT WRITTEN PERMISSION					

9 8 7 6 5 4 3 2

10 9 8 7 6 5 4 3 2 1

EMBOSSED CARRIER TAPE PACKING DETAILS FOR PARTS WITH CAP



- NOTES:
- LEADER AND TRAILER TAPE
 - PEELING OFF FORCE OF THE TOP TAPE: 20-80gf.
 (PEELING DIRECTION AS SHOWN IN FOLLOWING FIGURE)
 - THE TAPE IS TREATED FOR ANTI-STATIC.
 - PACKAGING STANDARD IS AS PER EIA-481.
 - TAPE & REEL QUANTITY = 1000PCS/REEL (WITHOUT CAP)
 TAPE & REEL QUANTITY = 900PCS/REEL (WITH CAP)

15	44	20.20±0.15	100	44.40	50.40	2.00±0.15
11, 12, 13, 14	32	14.20±0.10	100	32.40	38.40	2.00±0.10
7, 8, 9, 10	24	11.50±0.10	100	24.40	30.40	2.00±0.10
2, 3, 4, 5, 6	16	7.50±0.10	100	16.40	22.40	2.00±0.10

REVISED EC NO. J2014-0799 TIDRNRHORI 2013/11/06 CHIKO KASAKAWA 2013/11/07 APPROXUKITA 2013/11/08 DESCRIPTION REV	GENERAL TOLERANCES (UNLESS SPECIFIED)		DIMENSION STYLE MM ONLY		SCALE 8:1	DESIGN UNITS METRIC	THIRD ANGLE PROJECTION
	10 UNDER	± 0.20	DRAWN BY TYAJIMA01	DATE 2013/09/19	TITLE 1.50MM PITCH, W-T-B HEADER, VERTICAL, SMT		
	10 OVER 30 UNDER	± 0.20	CHECKED BY KASAKAWA	DATE 2013/09/20	APPROVED BY NUKITA		
	30 OVER	± 0.20	DATE 2013/09/25	MATERIAL NO. SEE TABLE			
ANGULAR ±3°		DRAFT WHERE APPLICABLE MUST REMAIN WITHIN DIMENSIONS		DOCUMENT NO. SD-87437-001		SHEET NO. 4 OF 4	
SIZE A3 THIS DRAWING CONTAINS INFORMATION THAT IS PROPRIETARY TO MOLEX INCORPORATED AND SHOULD NOT BE USED WITHOUT WRITTEN PERMISSION							

9 8 7 6 5 4 3 2