

Excellent Integrated System Limited

Stocking Distributor

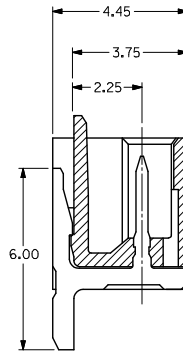
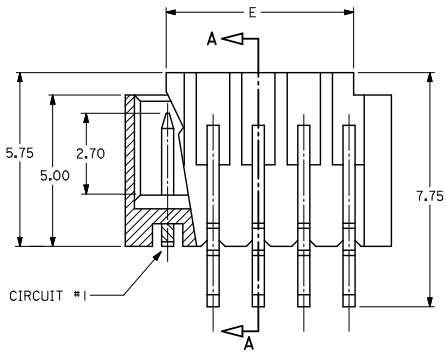
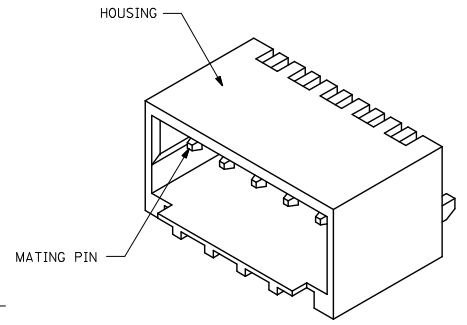
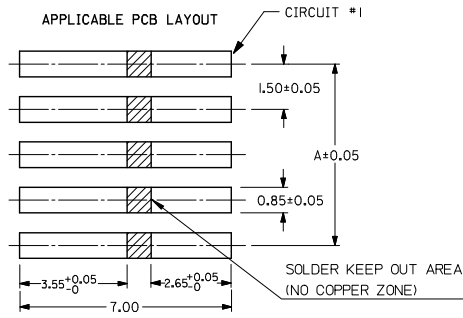
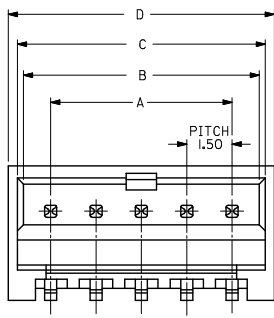
Click to view price, real time Inventory, Delivery & Lifecycle Information:

[Molex Connector Corporation](#)
[0874381063](#)

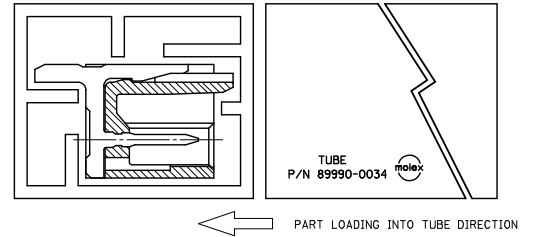
For any questions, you can email us directly:

sales@integrated-circuit.com

10 9 8 7 6 5 4 3 2 1



SECTION A-A



NOTES:

- MATERIALS:
HOUSING: NYLON, GLASS-FILLED, UL94 V-0,
COLOR: SEE TABLE
PINS: BRASS ALLOY, C26000
- PLATING: 2.54µM MIN. TIN OVER 1.27µM MIN. NICKEL.
- DRAWING SHOWS PLUG WITH 5 CIRCUITS.
- HEADER TO BE USED WITH CRIMP HOUSING, P/N 87439 AND CRIMP TERMINAL, P/N 87421
- PARTS SHALL BE PACKED IN MOISTURE BARRIER BAG.
- THIS DRAWING IS RE-DRAWING OF SD-87438-xx31.

REVISED IEC NO: J2014-0698 DRAWN BY: DRWINRHORI CHECKED BY: CHIKO KAWAWA APPROVED BY: NUKITA DATE: 2013/10/22	GENERAL TOLERANCES (UNLESS SPECIFIED)		DIMENSION STYLE	SCALE	DESIGN UNITS	THIRD ANGLE PROJECTION
	(UNLESS SPECIFIED)		MM ONLY	NTS	METRIC	
	10 UNDER	± 0.20	DRAWN BY	DATE	TITLE	1.50MM PITCH, W-T-B HEADER, R/A, SMT molex
	10 OVER 30 UNDER	± 0.20	KCLING	1994/04/08		
30 OVER	± 0.20	CHECKED BY	DATE			
ANGULAR	± 3°	SKTOH	1994/04/21			
DRAFT WHERE APPLICABLE MUST REMAIN WITHIN DIMENSIONS		APPROVED BY	DATE	MATERIAL NO.	DOCUMENT NO.	SHEET NO.
		NUKITA	2013/10/22	SEE TABLE	SD-87438-001	1 OF 3
SIZE: A3 THIS DRAWING CONTAINS INFORMATION THAT IS PROPRIETARY TO MOLEX INCORPORATED AND SHOULD NOT BE USED WITHOUT WRITTEN PERMISSION						

9 8 7 6 5 4 3 2 1

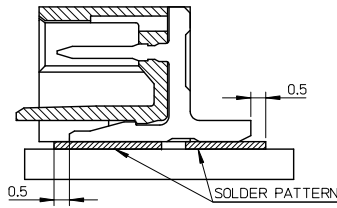
10	9	8	7	6	5	4	3	2	1
----	---	---	---	---	---	---	---	---	---

CKT SIZE	A	B	C	D	E
02	1.50	3.30	3.70	4.30	1.70
03	3.00	4.80	5.20	5.80	3.20
04	4.50	6.30	6.70	7.30	4.70
05	6.00	7.80	8.20	8.80	6.20
06	7.50	9.30	9.70	10.30	7.70
07	9.00	10.80	11.20	11.80	9.20
08	10.50	12.30	12.70	13.30	10.70
09	12.00	13.80	14.20	14.80	12.20
10	13.50	15.30	15.70	16.30	13.70
11	15.00	16.80	17.20	17.80	15.20
12	16.50	18.30	18.70	19.30	16.70
13	18.00	19.80	20.20	20.80	18.20
14	19.50	21.30	21.70	22.30	19.70
15	21.00	22.80	23.20	23.80	21.20

PART NUMBER ASSIGNMENT

87438-XXXX

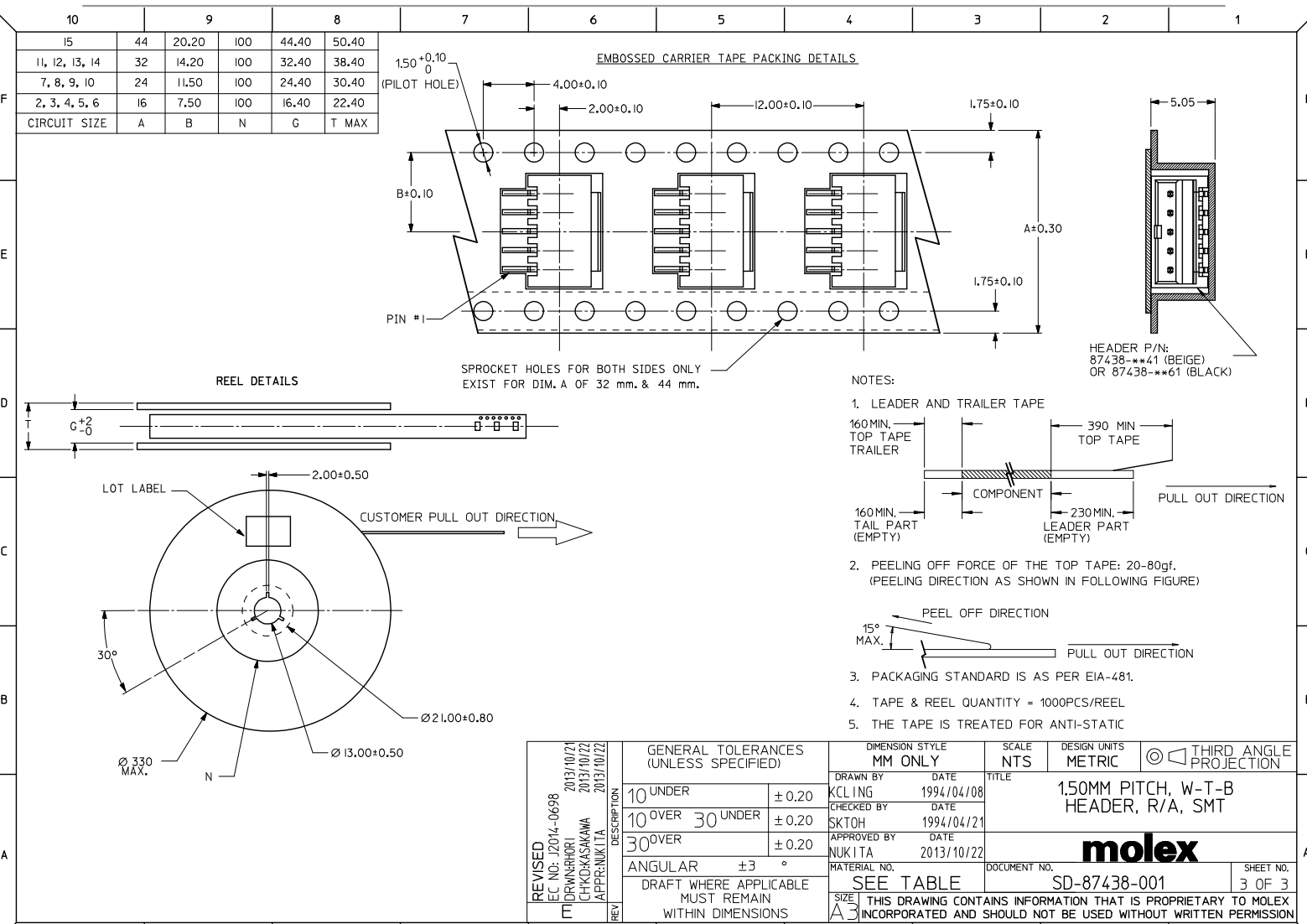
- 2- TUBE PACKAGING
- 3- TAPE AND REEL PACKAGING
- 4- BEIGE COLOR HSG
- 6- BLACK COLOR HSG
- 2 TO 15 - CIRCUIT SIZE



MOUNTING POSITION OF THE CONNECTOR

REVISED EC NO: J2014-0698 DRAWN BY: CHYDASAKAWA CHECKED BY: NUKITA APPROVED BY: NUKITA DATE: 2013/10/21 DATE: 2013/10/22 DATE: 2013/10/22	GENERAL TOLERANCES (UNLESS SPECIFIED)		DIMENSION STYLE MM ONLY		SCALE NTS	DESIGN UNITS METRIC	THIRD ANGLE PROJECTION
	10 UNDER	± 0.20	KCLING	DATE 1994/04/08	TITLE 1.50MM PITCH, W-T-B HEADER, R/A, SMT 		
	10 OVER 30 UNDER	± 0.20	CHECKED BY	DATE 1994/04/21			
	30 OVER	± 0.20	APPROVED BY	DATE 2013/10/22			
	ANGULAR ±3 °	MATERIAL NO.		DOCUMENT NO.			
	DRAFT WHERE APPLICABLE MUST REMAIN WITHIN DIMENSIONS		SEE TABLE		SD-87438-001		SHEET NO. 2 OF 3
SIZE A3 THIS DRAWING CONTAINS INFORMATION THAT IS PROPRIETARY TO MOLEX INCORPORATED AND SHOULD NOT BE USED WITHOUT WRITTEN PERMISSION							

10	9	8	7	6	5	4	3	2	1
----	---	---	---	---	---	---	---	---	---



10	9	8	7	6	5	4	3	2	1
15	44	20.20	100	44.40	50.40				
11, 12, 13, 14	32	14.20	100	32.40	38.40				
7, 8, 9, 10	24	11.50	100	24.40	30.40				
2, 3, 4, 5, 6	16	7.50	100	16.40	22.40				
CIRCUIT SIZE	A	B	N	G	T MAX				

EMBOSSED CARRIER TAPE PACKING DETAILS

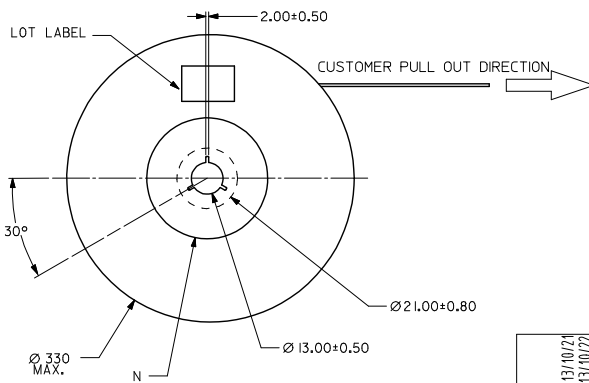
NOTES:

- LEADER AND TRAILER TAPE
160 MIN. TOP TAPE TRAILER
390 MIN. TOP TAPE
160 MIN. TAIL PART (EMPTY)
230 MIN. LEADER PART (EMPTY)
PULL OUT DIRECTION
- PEELING OFF FORCE OF THE TOP TAPE: 20-80gf.
(PEELING DIRECTION AS SHOWN IN FOLLOWING FIGURE)
15° MAX.
PEEL OFF DIRECTION
PULL OUT DIRECTION
- PACKAGING STANDARD IS AS PER EIA-481.
- TAPE & REEL QUANTITY = 1000PCS/REEL
- THE TAPE IS TREATED FOR ANTI-STATIC

HEADER P/N:
87438-***41 (BEIGE)
OR 87438-***61 (BLACK)

SPROCKET HOLES FOR BOTH SIDES ONLY
EXIST FOR DIM. A OF 32 mm. & 44 mm.

REEL DETAILS



REVISED EC NO: J2014-0698 DRAWN BY: CHIKO KAWA CHECKED BY: NUKITA APPROVED BY: NUKITA DATE: 2013/10/22 DESCRIPTION:	GENERAL TOLERANCES (UNLESS SPECIFIED)		DIMENSION STYLE	SCALE	DESIGN UNITS	THIRD ANGLE PROJECTION
			MM ONLY	NTS	METRIC	
	10 UNDER	± 0.20	KCLING	DATE	1.5MM PITCH, W-T-B HEADER, R/A, SMT	
	10 OVER 30 UNDER	± 0.20	SKTOH	DATE		
30 OVER	± 0.20	APPROVED BY	DATE			
ANGULAR ± 3 °		MATERIAL NO.		DOCUMENT NO.	SHEET NO.	
DRAFT WHERE APPLICABLE MUST REMAIN WITHIN DIMENSIONS		SEE TABLE		SD-87438-001	3 OF 3	
THIS DRAWING CONTAINS INFORMATION THAT IS PROPRIETARY TO MOLEX INCORPORATED AND SHOULD NOT BE USED WITHOUT WRITTEN PERMISSION						