

Excellent Integrated System Limited

Stocking Distributor

Click to view price, real time Inventory, Delivery & Lifecycle Information:

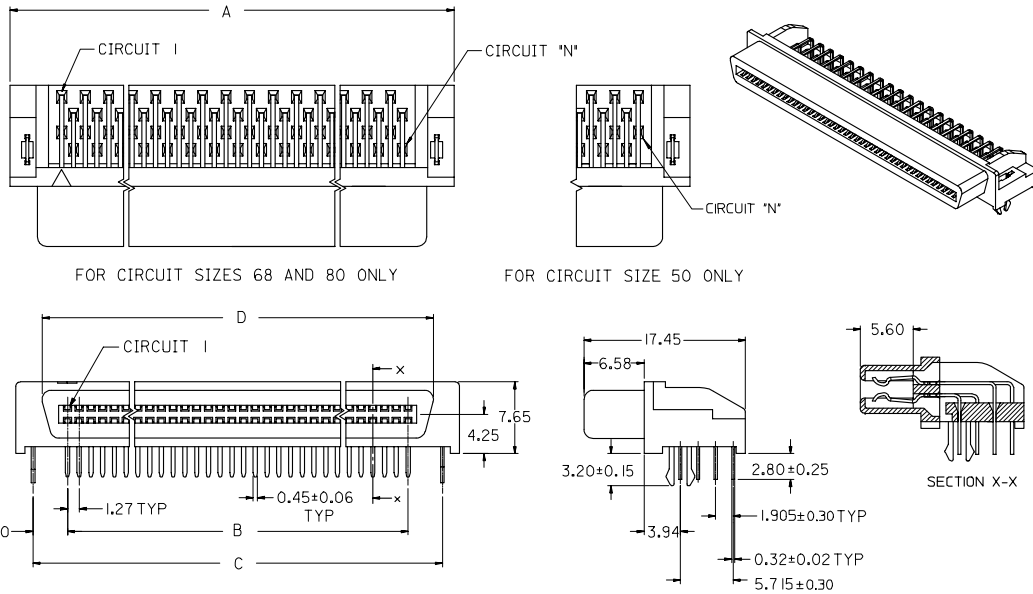
[Molex Connector Corporation](#)
[0875520507](#)

For any questions, you can email us directly:

sales@integrated-circuit.com

10 9 8 7 6 5 4 3 2 1

F
E
D
C
B
A



NOTES:

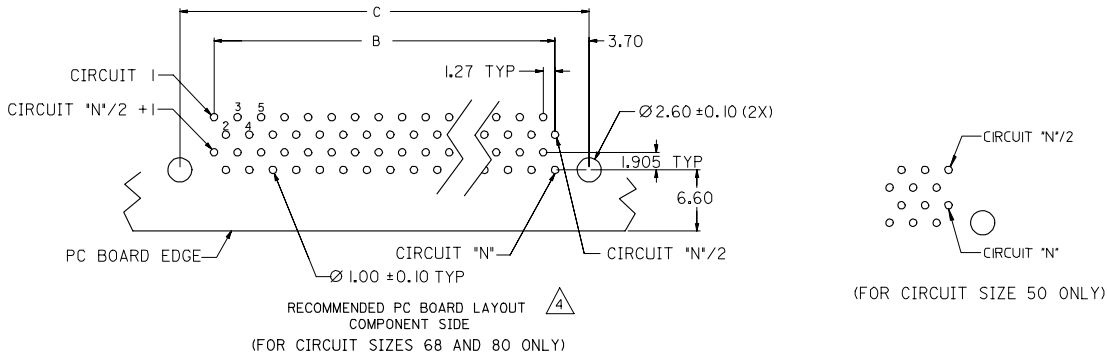
1. MATERIAL: HOUSING -- HIGH TEMP. THERMOPLASTIC, UL94-V0
TERMINALS -- COPPER ALLOY
2. PLATING:
 ⚠️ 0.75µM MIN. GOLD IN SELECTIVE CONTACT AREA AND
 2.5µM MIN. TIN IN SOLDER TAIL AREA, BOTH
 OVER 1.27µM MIN. NICKEL.
3. ASSEMBLY MATES WITH MOLEX P/N 71661-****.
- ⚠️ RECOMMENDED P.C. BOARD THICKNESS IS 1.60MM.
5. PRODUCT SPEC. NO. : PS-87552-006
6. SEE TABLE ON SHEET 2 FOR ASSEMBLY PART NUMBERS.

REVISED REC. NO.: S2008-0347 DRWNS:KMC CHKD:ATSEE APPR:HLONG H3	DESCRIPTION 2007/11/12 2007/11/12 2007/11/14	QUALITY SYMBOLS	GENERAL TOLERANCES (UNLESS SPECIFIED)		DIMENSION STYLE		SCALE	DESIGN UNITS	THIRD ANGLE PROJECTION
		▽=0 ▽=0	mm	INCH	MM ONLY	NTS	METRIC		
		4 PLACES ± --- ± ---	3 PLACES ± --- ± ---	2 PLACES ± 0.3 ± ---	1 PLACE ± --- ± ---	DRAWN BY: DSOH CHECKED BY: KCL ING APPROVED BY: SKTOH	DATE: 1997/04/01 DATE: 1997/05/06 DATE: 1997/05/08	TITLE: EBB1, 1.27MM PITCH RECEPTACLE, R/A	
		ANGULAR ± 3 °		DRAFT WHERE APPLICABLE MUST REMAIN WITHIN DIMENSIONS		MATERIAL NO. SEE TABLE SIZE: A3	DOCUMENT NO. SD-87552-007	MOLEX INCORPORATED	

9 8 7 6 5 4 3 2 1

F
E
D
C
B
A

	10	9	8	7	6	5	4	3	2	1
	D	C	B	A	CKT SIZE	ASSEMBLY PART NUMBER				
F	36.02	37.88	30.48	41.70	50	87552-0507				
	47.45	49.31	41.91	53.13	68	87552-0687				
	55.07	56.93	49.53	60.75	80	87552-0807				



REVISED REC NO: S2008-0347 2007/11/12 DRWNS:KMC CHKD:ATSEE APPR:HLONG 2007/11/14	DESCRIPTION H3	QUALITY SYMBOLS	GENERAL TOLERANCES (UNLESS SPECIFIED)		DIMENSION STYLE MM ONLY		SCALE NTS	DESIGN UNITS METRIC	THIRD ANGLE PROJECTION	
		$\nabla=0$ $\nabla=0$	4 PLACES ± --- ± --- 3 PLACES ± --- ± --- 2 PLACES ± 0.3 ± --- 1 PLACE ± --- ± ---	mm INCH	DRAWN BY DS0H DATE 1997/04/01	TITLE EBBI, 1.27MM PITCH RECEPTACLE, R/A				
		ANGULAR ± 3 °		DRAFT WHERE APPLICABLE MUST REMAIN WITHIN DIMENSIONS	CHECKED BY KCL ING DATE 1997/05/06	MOLEX INCORPORATED				
		MATERIAL NO. SEE TABLE		DOCUMENT NO. SD-87552-007		SHEET NO. 2 OF 2				