

Excellent Integrated System Limited

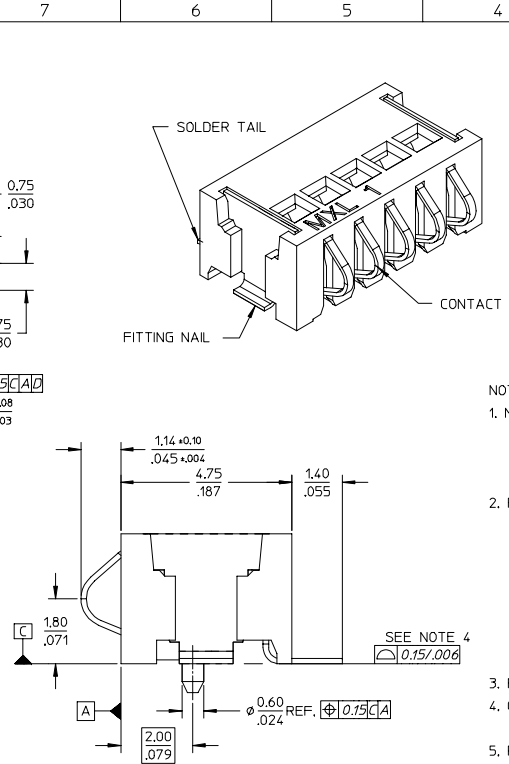
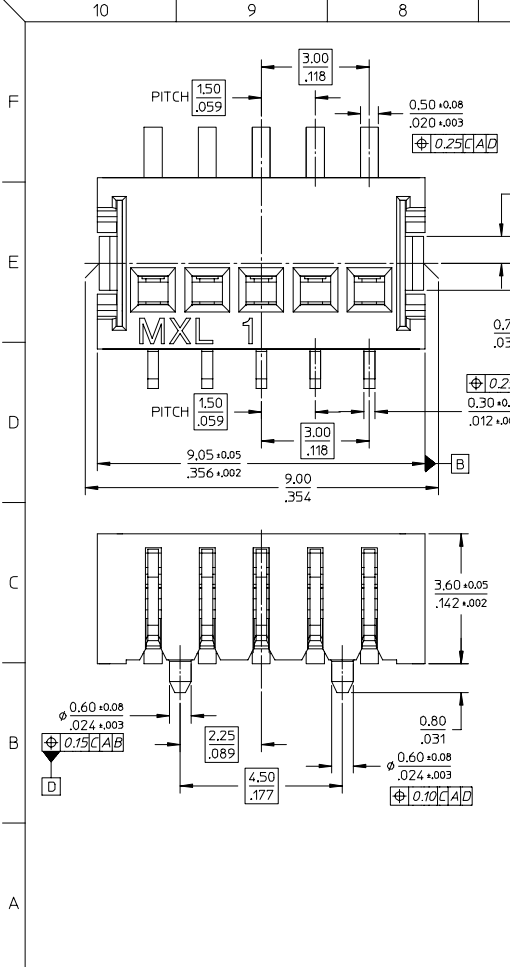
Stocking Distributor

Click to view price, real time Inventory, Delivery & Lifecycle Information:

[Molex Connector Corporation](#)
[0876500002](#)

For any questions, you can email us directly:
sales@integrated-circuit.com

87650	
CKT SIZE	PART NUMBER
5	87650-0002

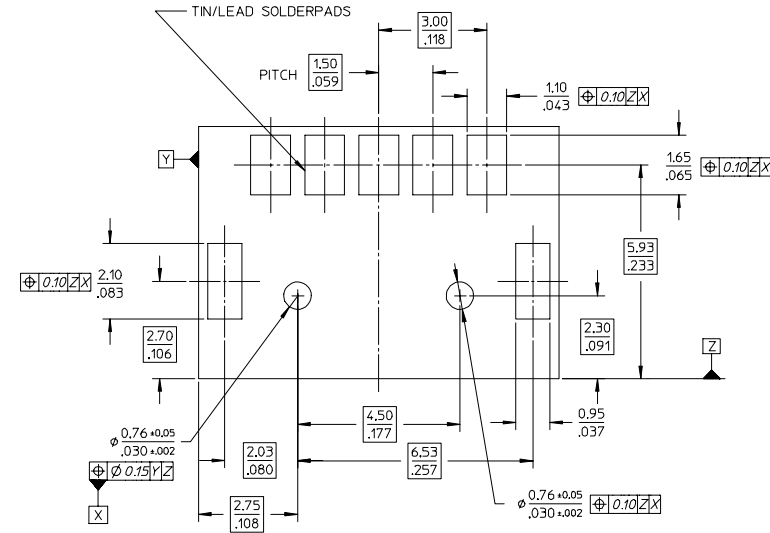


- NOTES :
- MATERIAL : HOUSING - HIGH TEMP THERMOPLASTIC, GLASS FILLED, UL94 V-0, COLOR : BLACK
FITTING NAIL - BRASS
TERMINAL - PHOSPHOR BRONZE
 - FINISH : FITTING NAIL - TIN/LEAD ALLOY OVERALL :
THICKNESS = 1.90um / 75uin MINIMUM ;
NICKEL OVERALL.
TERMINAL - SELECTIVE GOLD IN CONTACT AREA :
THICKNESS = 0.38um / 15uin MINIMUM ;
SELECTIVE TIN-LEAD ALLOY IN PC TAIL AREA :
THICKNESS = 1.90um / 75uin MINIMUM ;
NICKEL OVERALL.
 - PRODUCT SPECIFICATION : PS-87650-002
 - CO-PLANARITY OF SOLDER TAIL AND FITTING NAIL IS TO BE MEASURED BY RESTING THE PART ON A FLAT GAGED SURFACE.
 - PARTS ARE PACKED IN TAPE & REEL OF WIDTH 16mm AND PITCH 12mm.

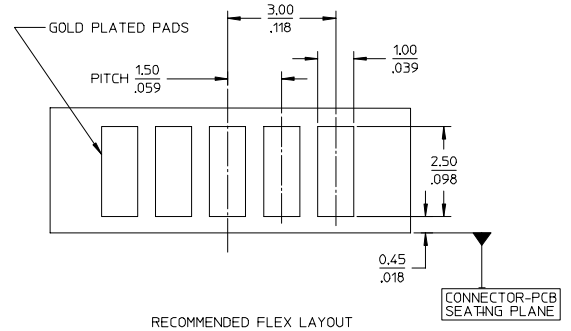
tb_frame_B
rev. B1 2000/08/01

EC NO: S2002-0002 DRAWN: RSHAN 2001/09/11 CHKD: APPR: KCLING 2007/09/12	QUALITY SYMBOLS	GENERAL TOLERANCES (UNLESS SPECIFIED)		SCALE 10:1	DESIGN UNITS METRIC	THIRD ANGLE PROJECTION	REVISE ON CAD ONLY
	-0 -0	4 PLACES	mm	INCH	DIMENSION STYLE MM/IN		TITLE 1.5MM PITCH COMPRESSION CONNECTOR
		3 PLACES	±---	±---	DRAWN BY JS GOH	DATE 010102	
		2 PLACES	±0.13	±---	CHECKED BY K.C. LING	DATE 010305	
	1 PLACE	±---	±---	APPROVED BY S. K. TOH	DATE 010305	MATERIAL NO. SEE TABLE	DOCUMENT NO. SD-87650-001
	ANGULAR ± 1°		DRAFT WHERE APPLICABLE		MATERIAL NO. SEE TABLE		SHEET NO. 1 OF 3
	MUST REMAIN WITHIN DIMENSIONS		THIS DRAWING CONTAINS INFORMATION THAT IS PROPRIETARY TO MOLEX INCORPORATED AND SHOULD NOT BE USED WITHOUT WRITTEN PERMISSION				

87650



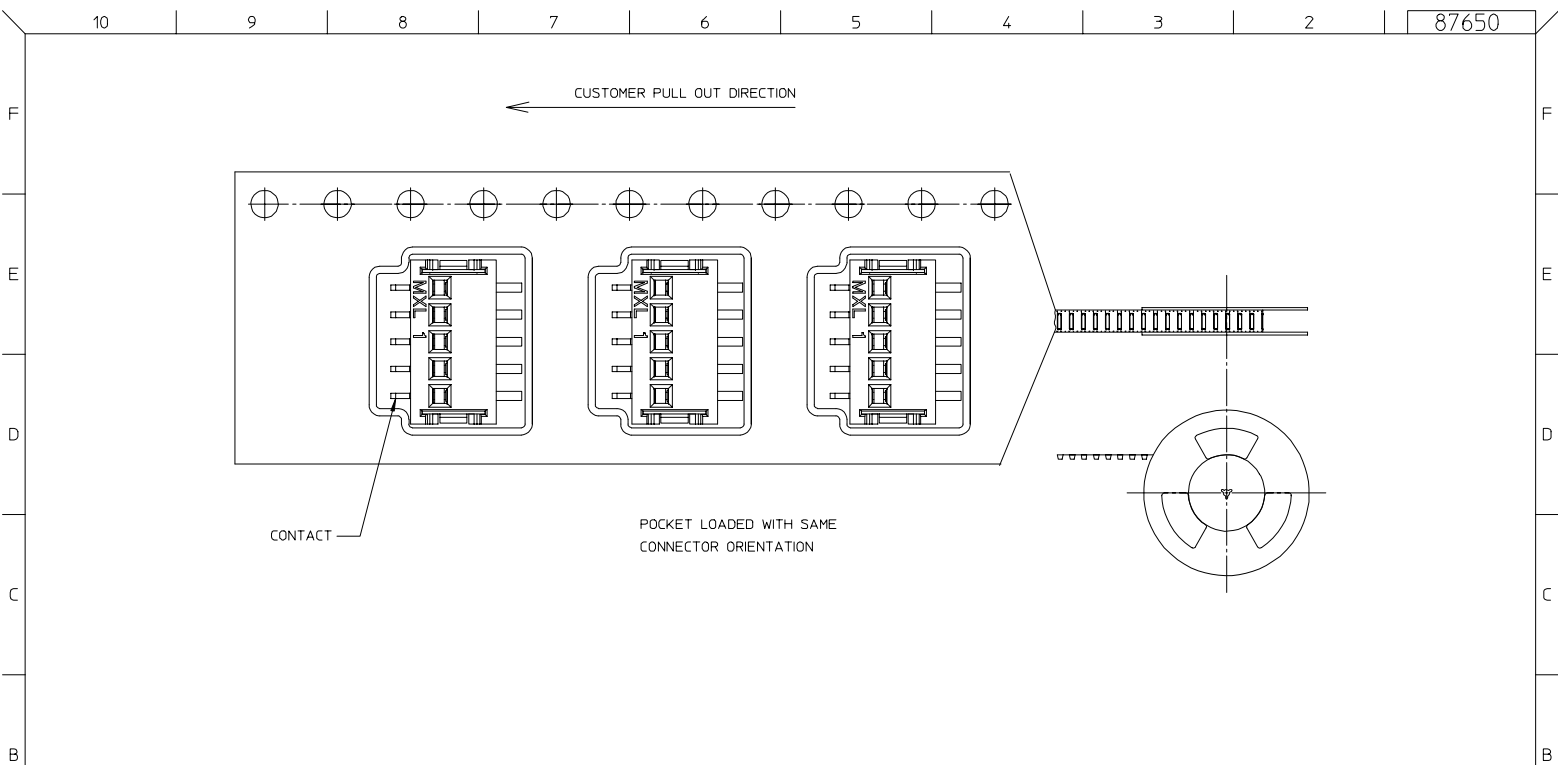
RECOMMENDED PCB LAYOUT
THICKNESS = 1.00mm MINIMUM



RECOMMENDED FLEX LAYOUT

CONNECTOR-PCB SEATING PLANE

EC NO: S2002-0002 DRAWN: RSHAN 2001/09/11 CHKD: 2001/09/11 APPR: KCLING 2007/09/12 A4 rev	QUALITY SYMBOLS	GENERAL TOLERANCES (UNLESS SPECIFIED)		SCALE NTS	DESIGN UNITS METRIC	THIRD ANGLE PROJECTION	REVISE ON CAD ONLY
	$\nabla -0$ $\nabla -0$		mm	INCH	DIMENSION STYLE MM/IN		TITLE 1.5MM PITCH COMPRESSION CONNECTOR
		4 PLACES	±---	±---	DRAWN BY JS GOH	DATE 010102	
		3 PLACES	±---	±.005	CHECKED BY K. C. LING	DATE 010305	
		2 PLACES	±0.13	APPROVED BY S. K. TOH	DATE 010305	MATERIAL NO. SEE TABLE	DOCUMENT NO. SD-87650-001
		1 PLACE	±---	DRAFT WHERE APPLICABLE MUST REMAIN WITHIN DIMENSIONS		MATERIAL NO. SEE TABLE	DOCUMENT NO. SD-87650-001
		ANGULAR ± 1°		THIS DRAWING CONTAINS INFORMATION THAT IS PROPRIETARY TO MOLEX INCORPORATED AND SHOULD NOT BE USED WITHOUT WRITTEN PERMISSION			SHEET NO. 2 OF 3



EC NO: S2002-0002 DRAWN: SHAN 2001/09/11 CHKD: KCLING 2001/09/11 APPR: KCLING 2007/09/12 DESCRIPTION REV A4	QUALITY SYMBOLS	GENERAL TOLERANCES (UNLESS SPECIFIED)		SCALE NTS	DESIGN UNITS METRIC	THIRD ANGLE PROJECTION	REVISE ON CAD ONLY
	▽-0 ▽.0	4 PLACES	mm	INCH	DIMENSION STYLE MM/IN		TITLE 1.5MM PITCH COMPRESSION CONNECTOR
		3 PLACES	±---	±---	DRAWN BY REGINA SHAN	DATE 010418	
		2 PLACES	±0.13	±---	CHECKED BY K C LING	DATE 010424	
	1 PLACE	±---	±---	APPROVED BY S K TOH		DATE 010426	MATERIAL NO. SEE TABLE
		ANGULAR ± 1°		DOCUMENT NO. SD-87650-001		SHEET NO. 3 OF 3	
		DRAFT WHERE APPLICABLE MUST REMAIN WITHIN DIMENSIONS		THIS DRAWING CONTAINS INFORMATION THAT IS PROPRIETARY TO MOLEX INCORPORATED AND SHOULD NOT BE USED WITHOUT WRITTEN PERMISSION			