

Excellent Integrated System Limited

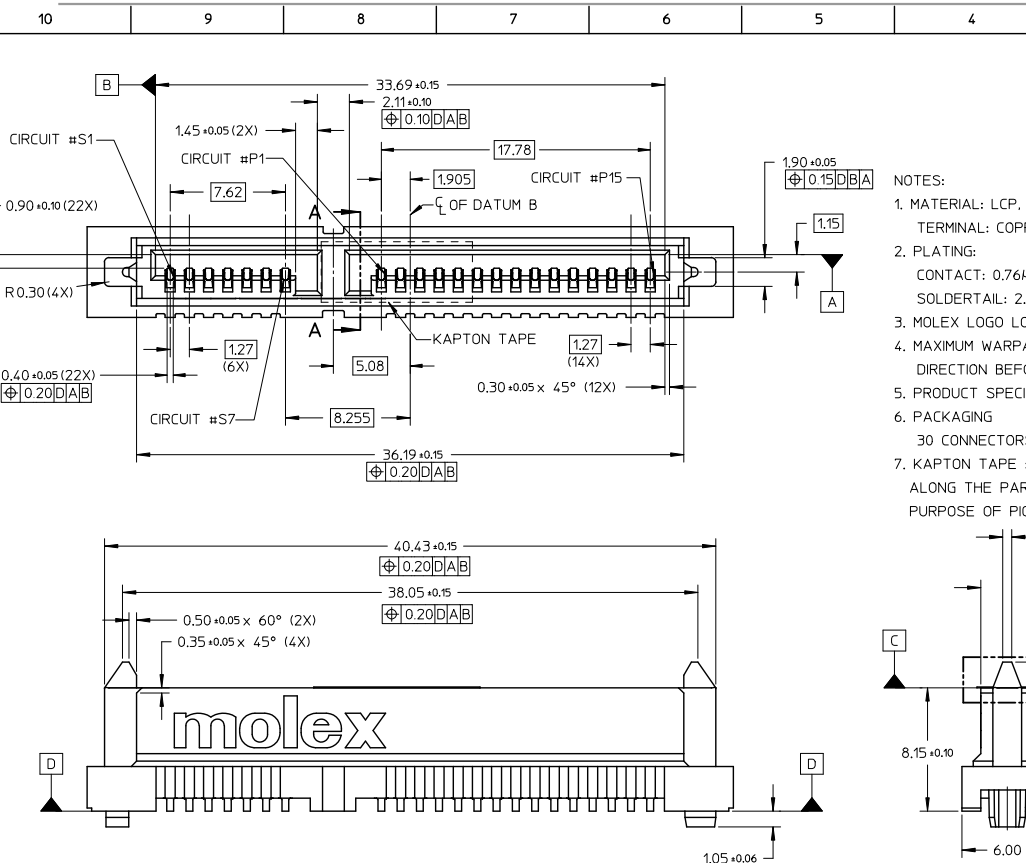
Stocking Distributor

Click to view price, real time Inventory, Delivery & Lifecycle Information:

[Molex Connector Corporation](#)
[0877131006](#)

For any questions, you can email us directly:
sales@integrated-circuit.com

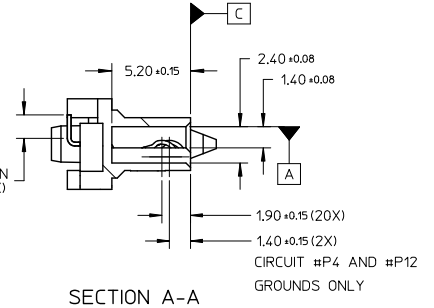
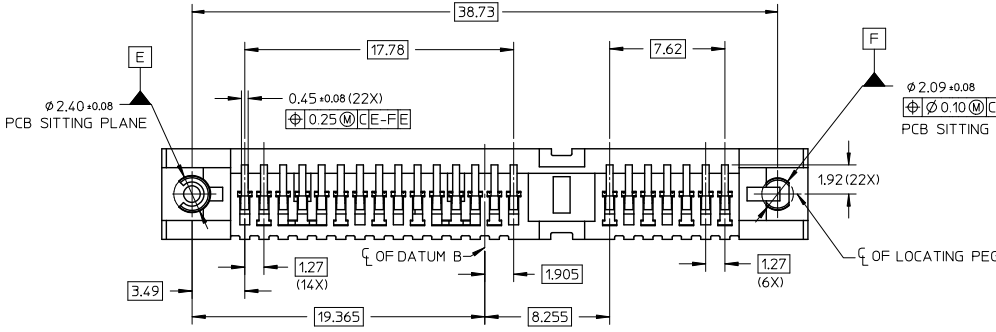
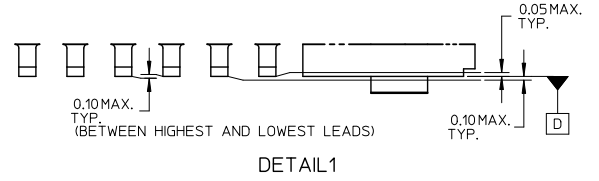
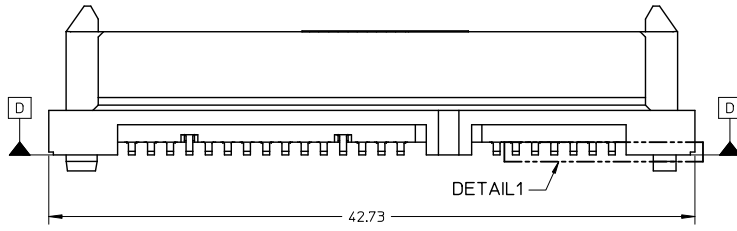
ASSEMBLY	KAPTON TAPE	PACKAGING
87713-1005	NO	TRAY
87713-1006	YES	TAPE & REEL



- NOTES:
1. MATERIAL: LCP, GLASS FILLED, UL 94V-0, COLOR: BLACK
TERMINAL: COPPER ALLOY
 2. PLATING:
CONTACT: 0.76µm MIN. SELECTIVE GOLD OVER 1.27µm MIN. NICKEL UNDERPLATE
SOLDERTAIL: 2.54µm MIN. TIN OVER 1.27 µm MIN. NICKEL UNDERPLATE
 3. MOLEX LOGO LOCATED APPROXIMATELY AS SHOWN
 4. MAXIMUM WARPAGE OF 0.13 mm OVER THE LENGTH OF THE CONNECTOR IN ANY DIRECTION BEFORE AND AFTER EXPOSURE TO MAX. 260°C FOR 10 SECONDS
 5. PRODUCT SPECIFICATION: PS-87713-016 APPLIES
 6. PACKAGING
30 CONNECTORS PER TRAY
 7. KAPTON TAPE : 11.00mm X 4.00mm. KAPTON TAPE LOCATION IS CENTERED ALONG THE PART AS SHOWN. TOP SURFACE OF TAPE TO BE FLAT FOR THE PURPOSE OF PICK & PLACE.

SHTS. UPDATE E/TAPE EC NO. S2012-0010 DRAWN/SEE 2011/07/05 CHKD/SKANG 2011/07/11 APPR./MLONG 2011/07/11 REV B4	QUALITY SYMBOLS	GENERAL TOLERANCES (UNLESS SPECIFIED)	DIMENSION STYLE	SCALE	DESIGN UNITS	THIRD ANGLE PROJECTION	
	$\nabla=0$ $\nabla=0$ $\nabla=0$	mm INCH 4 PLACES ± --- ± --- 3 PLACES ± --- ± --- 2 PLACES ± 0.20 ± --- 1 PLACE ± --- ± --- ANGULAR ± 3°	MM ONLY	NTS	METRIC	DRAWN BY DATE KHL IM 2005/03/07 CHECKED BY DATE KCL ING 2005/04/14 APPROVED BY DATE SKTOH 2005/04/14	TITLE SERIAL ATA BACKPLANE SIL WITH 1.05 PEGS STD HEIGHT, RECEPT., SMT MOLEX INCORPORATED
	DRAFT WHERE APPLICABLE MUST REMAIN WITHIN DIMENSIONS	MATERIAL NO. SEE TABLE	DOCUMENT NO. SD-87713-029	SHEET NO. 1 OF 5			
	THIS DRAWING CONTAINS INFORMATION THAT IS PROPRIETARY TO MOLEX INCORPORATED AND SHOULD NOT BE USED WITHOUT WRITTEN PERMISSION						

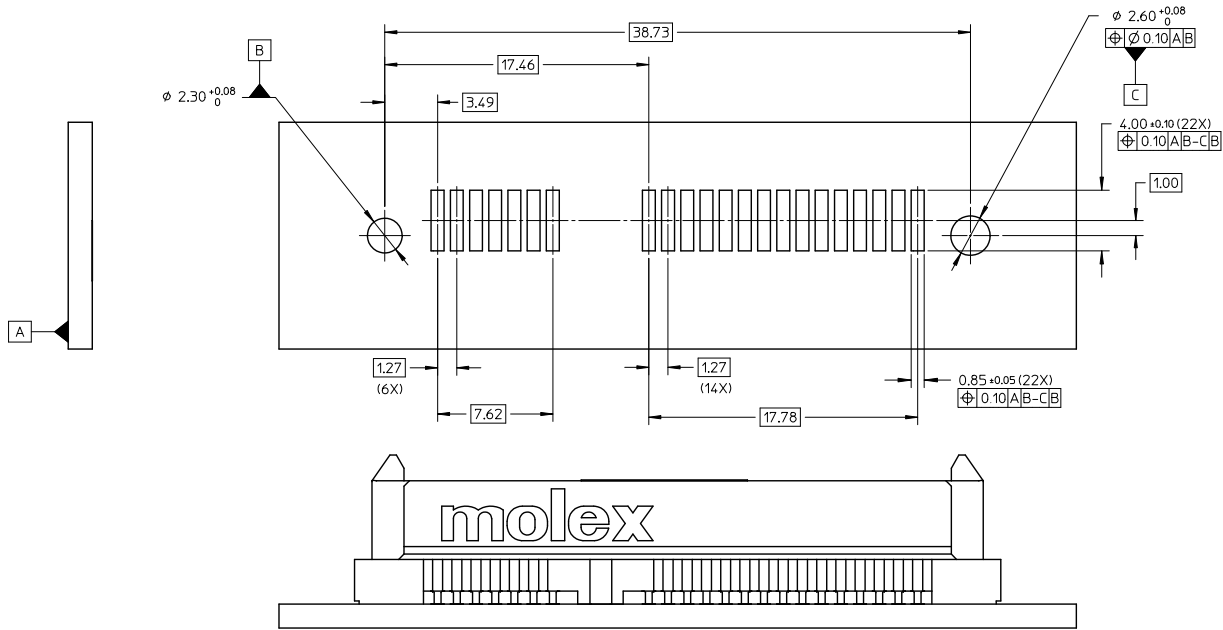
10 9 8 7 6 5 4 3 2 1



SHTS. UPDATE E/TAPE EC NO. S2012-0010 DRAWN BY CHKD. SKANG APPR. PLONG 2011/07/05 2011/07/11 2011/07/11	QUALITY SYMBOLS	GENERAL TOLERANCES (UNLESS SPECIFIED)	DIMENSION STYLE	SCALE	DESIGN UNITS	THIRD ANGLE PROJECTION
	$\nabla = 0$ $\nabla = 0$ $\nabla = 0$	mm INCH 4 PLACES ± --- ± --- 3 PLACES ± --- ± --- 2 PLACES ± 0.20 ± --- 1 PLACE ± --- ± --- ANGULAR ± 3 °	MM ONLY	NTS	METRIC	
	DESCRIPTION	DRAFT WHERE APPLICABLE MUST REMAIN WITHIN DIMENSIONS	DRAWN BY DATE KHL IM 2005/03/07 CHECKED BY DATE KCL ING 2005/04/14 APPROVED BY DATE SKTOH 2005/04/14	TITLE		
	REV		MATERIAL NO.	MOLEX INCORPORATED	DOCUMENT NO.	SHEET NO.
B4		SEE TABLE		SD-87713-029	2 OF 5	
			THIS DRAWING CONTAINS INFORMATION THAT IS PROPRIETARY TO MOLEX INCORPORATED AND SHOULD NOT BE USED WITHOUT WRITTEN PERMISSION			

9 8 7 6 5 4 3 2 1

10 9 8 7 6 5 4 3 2 1

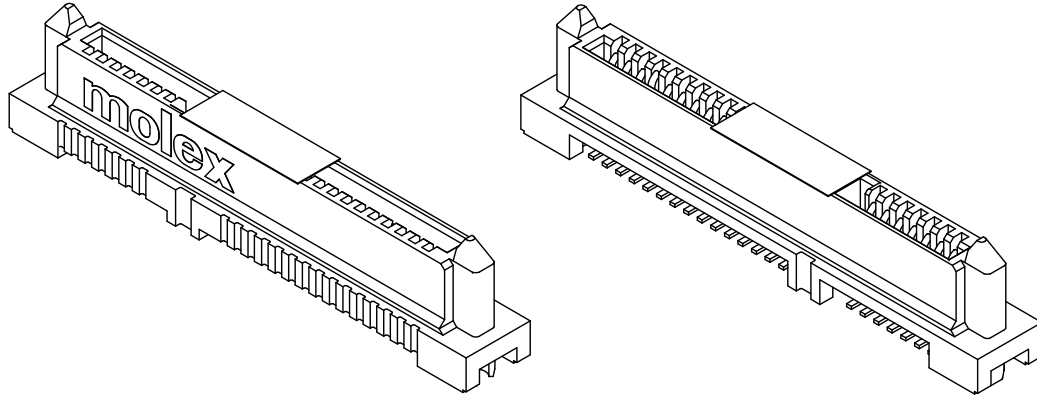


PCB THICKNESS: 1.60±0.10 mm
RECOMMENDED PCB LAYOUT

SHTS: UPDATE E/TAPE EC NO: S2012-0010 DRAWN/SEE: 2011/07/05 CHKD/SKANG: 2011/07/11 APPR: RLONG: 2011/07/11	QUALITY SYMBOLS $\nabla=0$ $\nabla=0$ $\nabla=0$	GENERAL TOLERANCES (UNLESS SPECIFIED)		DIMENSION STYLE MM ONLY		SCALE NTS	DESIGN UNITS METRIC	THIRD ANGLE PROJECTION	
		4 PLACES ± --- ± ---	mm INCH	DRAWN BY KHLIM	DATE 2005/03/07	TITLE SERIAL ATA BACKPLANE SIL WITH 1.05 PEGS STD HEIGHT, RECEPT., SMT			
		3 PLACES ± --- ± ---	2 PLACES ± 0.20 ± ---	CHECKED BY KCLING	DATE 2005/04/14	MOLEX INCORPORATED			
		1 PLACE ± --- ± ---	ANGULAR ± 3°	APPROVED BY SKTOH	DATE 2005/04/14	MATERIAL NO. SEE TABLE	DOCUMENT NO. SD-87713-029	SHEET NO. 3 OF 5	
REV B4	DESCRIPTION	DRAFT WHERE APPLICABLE MUST REMAIN WITHIN DIMENSIONS		THIS DRAWING CONTAINS INFORMATION THAT IS PROPRIETARY TO MOLEX INCORPORATED AND SHOULD NOT BE USED WITHOUT WRITTEN PERMISSION					

9 8 7 6 5 4 3 2 1

10 9 8 7 6 5 4 3 2 1

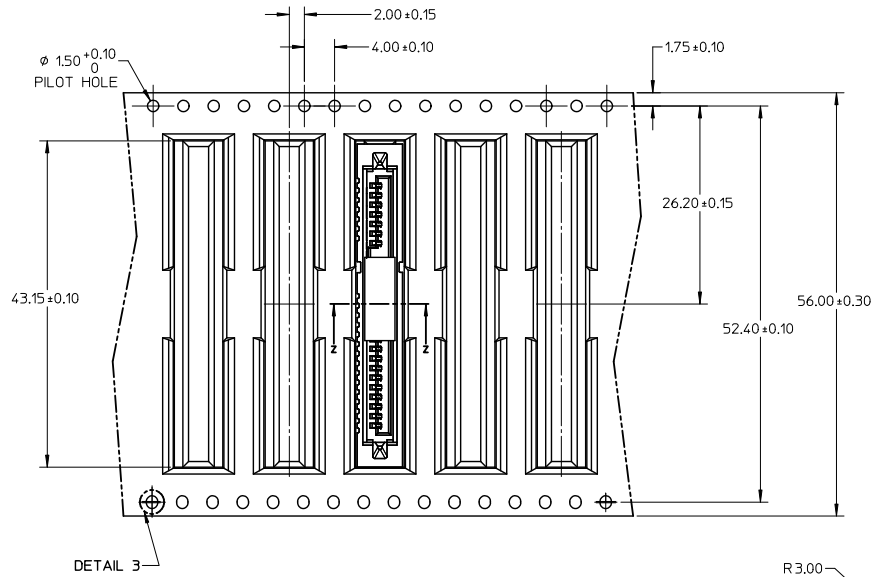


SHTS. UPDATE E/TAPE EC NO. S2012-0010 DRAWN/ATSEE 2011/07/05 CHKD:SKANG 2011/07/11 APPR:MLONG 2011/07/11	QUALITY SYMBOLS ▽=0 ▽=0 ▽=0	GENERAL TOLERANCES (UNLESS SPECIFIED)	DIMENSION STYLE		SCALE	DESIGN UNITS	THIRD ANGLE PROJECTION
			mm	INCH	NTS	METRIC	
REV B4	DESCRIPTION	4 PLACES ± --- ± ---	DRAWN BY DATE		TITLE SERIAL ATA BACKPLANE SIL WITH 1.05 PEGS STD HEIGHT, RECEPT., SMT		
		3 PLACES ± --- ± ---	KHL IM 2005/03/07				
		2 PLACES ± 0.20 ± ---	CHECKED BY DATE		MOLEX INCORPORATED		
		1 PLACE ± --- ± ---	KCL ING 2005/04/14				
		ANGULAR ± 3 °	APPROVED BY DATE		DOCUMENT NO. SD-87713-029		
			SKTOH 2005/04/14				
		DRAFT WHERE APPLICABLE MUST REMAIN WITHIN DIMENSIONS	MATERIAL NO. SEE TABLE		SHEET NO. 4 OF 5		
			SIZE A3				
THIS DRAWING CONTAINS INFORMATION THAT IS PROPRIETARY TO MOLEX INCORPORATED AND SHOULD NOT BE USED WITHOUT WRITTEN PERMISSION							

9 8 7 6 5 4 3 2 1

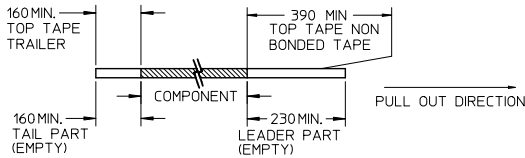
10 9 8 7 6 5 4 3 2 1

TAPE AND REEL PACKAGING

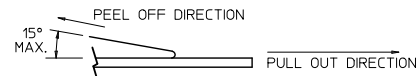


NOTES:

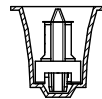
1. LEADER AND TRAILER TAPE



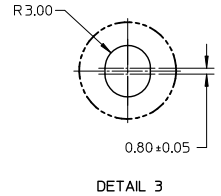
2. PEELING OFF FORCE OF THE TOP TAPE: 80gf MAX. (PEELING DIRECTION AS SHOWN IN FOLLOWING FIGURE)



- 3. TAPE AND REEL SPECIFICATION IS AS PER EIA-481.
- 4. TAPE AND REEL QUANTITY : 400 PCS/ REEL.
- 5. THE TAPE IS TREATED FOR ANTI-STATIC.



SECTION Z-Z



DETAIL 3

SHTS. UPDATE E/TAPE EC NO. S2012-0010 DRAWN/AT/SEE 2011/07/05 CHKD./SKANG 2011/07/11 APPR./MILONG 2011/07/11 REV B4	QUALITY SYMBOLS	GENERAL TOLERANCES (UNLESS SPECIFIED)	DIMENSION STYLE	SCALE	DESIGN UNITS	THIRD ANGLE PROJECTION
	$\nabla=0$ $\nabla=0$ $\nabla=0$	mm INCH 4 PLACES ± --- ± --- 3 PLACES ± --- ± --- 2 PLACES ± 0.20 ± --- 1 PLACE ± --- ± --- ANGULAR ± 3 °	MM ONLY	NTS	METRIC	
	DESCRIPTION	DRAWN BY DATE	CHECKED BY DATE	TITLE		
	REV	KHL IM 2005/03/07	KCLING 2005/04/14	SERIAL ATA BACKPLANE SIL WITH 1.05 PEGS STD HEIGHT, RECEPT., SMT		
		APPROVED BY DATE	MATERIAL NO.	DOCUMENT NO.	SHEET NO.	
		SKTOH 2005/04/14	SEE TABLE	SD-87713-029	5 OF 5	
DRAFT WHERE APPLICABLE MUST REMAIN WITHIN DIMENSIONS THIS DRAWING CONTAINS INFORMATION THAT IS PROPRIETARY TO MOLEX INCORPORATED AND SHOULD NOT BE USED WITHOUT WRITTEN PERMISSION						

9 8 7 6 5 4 3 2 1