

Excellent Integrated System Limited

Stocking Distributor

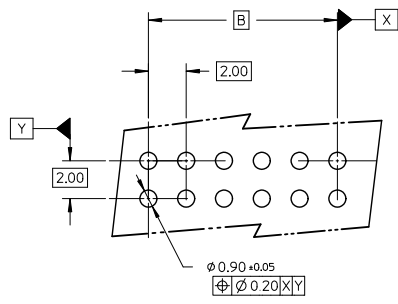
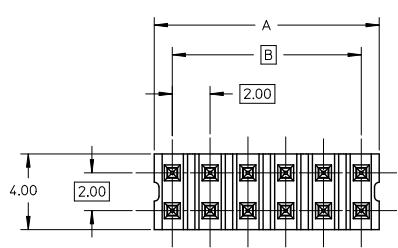
Click to view price, real time Inventory, Delivery & Lifecycle Information:

[Molex Connector Corporation](#)
[0877580650](#)

For any questions, you can email us directly:

sales@integrated-circuit.com

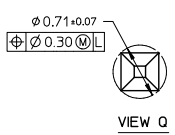
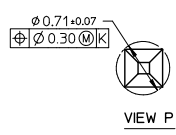
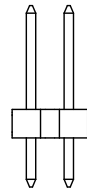
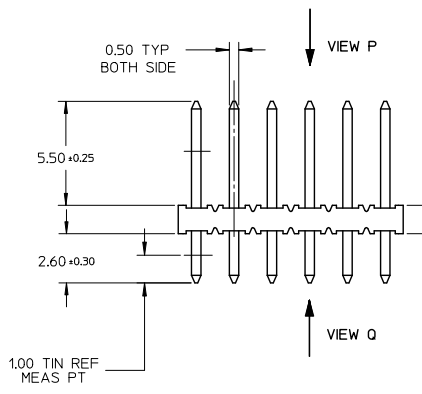
10 9 8 7 6 5 4 3 2 1



LEGEND
87758- ** * 5*
CKT SIZE (SEE SHT 2 TABLE) PLATING (SEE NOTE 2)

NOTES:

1. MATERIAL:
HOUSING: 30% G.F. NYLON 46, 94V-0, COLOR: BLACK
PIN: 0.50mm SQ. PHOSPHOR BRONZE 510
2. PLATING:
**50 - 0.38um MIN GOLD IN CONTACT AREA, TIN IN SOLDER AREA, BOTH OVER NICKEL OVERALL.
**51 - 0.05-0.25um GOLD IN CONTACT AREA, TIN IN SOLDER AREA, BOTH OVER NICKEL OVERALL.
3. 12 CKT USED FOR ILLUSTRATION ONLY
4. PACKED IN POCKET TRAY
5. PIN PUSHOUT FORCE: 1KG MIN IN EITHER DIRECTION
6. CKT 4 AND 6 IS CUT FROM CKT 8 AND 12 RESPECTIVELY. CKT 2 ARE CUT FROM ANY LARGER CKT SIZE. ROUGH EDGES ARE EXPECTED ALONG THE CUTTING EDGES.
7. PRODUCT SPEC PS-87761-100 APPLIES.



ADD AU FLASH OPTION EC NO: S2011-1004 DRW:SKANG CHK:DATSEE APPR:PLONG	2011/06/03	2011/06/11	2011/06/14	QUALITY SYMBOLS ▽=0 ▽=0 ▽=0	GENERAL TOLERANCES (UNLESS SPECIFIED) mm INCH 4 PLACES ± --- ± --- 3 PLACES ± --- ± --- 2 PLACES ± 0.2 ± --- 1 PLACE ± --- ± --- ANGULAR ± 3 °	DIMENSION STYLE		SCALE	DESIGN UNITS	THIRD ANGLE PROJECTION		
						MM ONLY	NTS	METRIC	DRAWN BY DATE		TITLE	
						KSEE	2003/10/30	2MM DUAL ROW SINGLE WAFER, VERTICAL THROUGH HOLE HEADER				
						KCLING	2004/01/05	MOLEX INCORPORATED				
							APPROVED BY DATE	DOCUMENT NO.	SHEET NO.			
							SKTOH	2004/01/05	SD-87758-112	1 OF 2		
							MATERIAL NO. SEE TABLE					
							THIS DRAWING CONTAINS INFORMATION THAT IS PROPRIETARY TO MOLEX INCORPORATED AND SHOULD NOT BE USED WITHOUT WRITTEN PERMISSION					

9 8 7 6 5 4 3 2 1

10 9 8 7 6 5 4 3 2 1

F

E

D

C

B

A

F

E

D

C

B

A

PART NUMBER	CKT SIZE	A	B
87758-0450	4	NA	2.00
87758-0650	6	NA	4.00
87758-0850	8	7.90	6.00
87758-1050	10	9.90	8.00
87758-1250	12	11.90	10.00
87758-1450	14	13.90	12.00
87758-1650	16	15.90	14.00
87758-1850	18	17.90	16.00
87758-2050	20	19.90	18.00
87758-2250	22	21.90	20.00
87758-2450	24	23.90	22.00
87758-2650	26	25.90	24.00
87758-2850	28	27.90	26.00
87758-3050	30	29.90	28.00
87758-3250	32	31.90	30.00
87758-3450	34	33.90	32.00
87758-3650	36	35.90	34.00
87758-3850	38	37.90	36.00
87758-4050	40	39.90	38.00
87758-4250	42	41.90	40.00
87758-4450	44	43.90	42.00
87758-4650	46	45.90	44.00
87758-4850	48	47.90	46.00
87758-5050	50	49.90	48.00

ADD AU FLASH OPTION EC NO. S2011-1004 DRW:SKANG 2011/06/03 CHK:ATSEE 2011/06/14 APPR:MLONG 2011/06/14	QUALITY SYMBOLS $\nabla=0$ $\nabla=0$ $\nabla=0$	GENERAL TOLERANCES (UNLESS SPECIFIED) <table border="1"> <tr><th colspan="2">mm</th><th>INCH</th></tr> <tr><td>4 PLACES</td><td>± .005</td><td>± .0004</td></tr> <tr><td>3 PLACES</td><td>± .005</td><td>± .0004</td></tr> <tr><td>2 PLACES</td><td>± 0.2</td><td>± .008</td></tr> <tr><td>1 PLACE</td><td>± .005</td><td>± .0004</td></tr> </table>	mm		INCH	4 PLACES	± .005	± .0004	3 PLACES	± .005	± .0004	2 PLACES	± 0.2	± .008	1 PLACE	± .005	± .0004	DIMENSION STYLE MM ONLY DRAWN BY DATE KSEE 2003/10/30 CHECKED BY DATE KCLING 2004/01/05 APPROVED BY DATE SKTOH 2004/01/05	SCALE NTS DESIGN UNITS METRIC THIRD ANGLE PROJECTION	TITLE 2MM DUAL ROW SINGLE WAFER, VERTICAL THROUGH HOLE HEADER MOLEX INCORPORATED	MATERIAL NO. SEE TABLE DOCUMENT NO. SD-87758-112	SHEET NO. 2 OF 2
	mm		INCH																			
	4 PLACES	± .005	± .0004																			
	3 PLACES	± .005	± .0004																			
2 PLACES	± 0.2	± .008																				
1 PLACE	± .005	± .0004																				
DRAFT WHERE APPLICABLE MUST REMAIN WITHIN DIMENSIONS	THIS DRAWING CONTAINS INFORMATION THAT IS PROPRIETARY TO MOLEX INCORPORATED AND SHOULD NOT BE USED WITHOUT WRITTEN PERMISSION																					
REV A1																						

9 8 7 6 5 4 3 2 1