

Excellent Integrated System Limited

Stocking Distributor

Click to view price, real time Inventory, Delivery & Lifecycle Information:

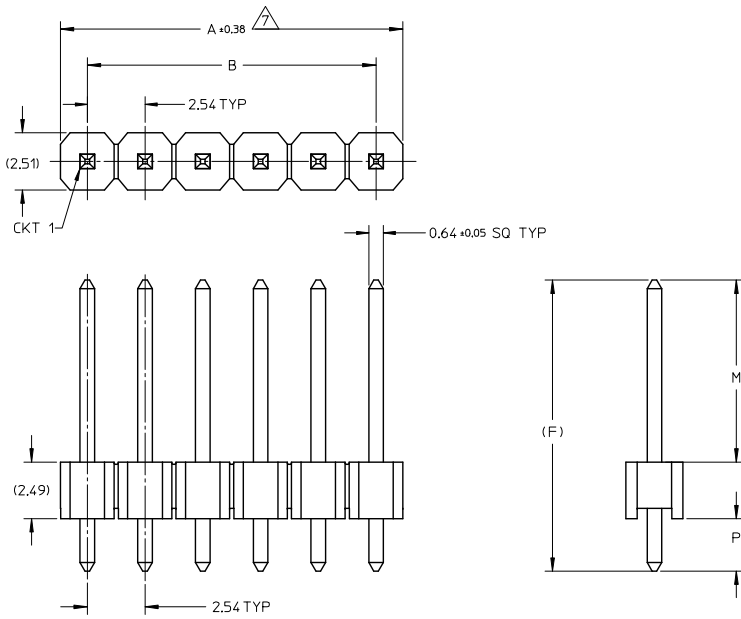
[Molex Connector Corporation](#)
[0878910608](#)

For any questions, you can email us directly:

sales@integrated-circuit.com

10 9 8 7 6 5 4 3 2 1

ASSEMBLY WITHOUT CAP



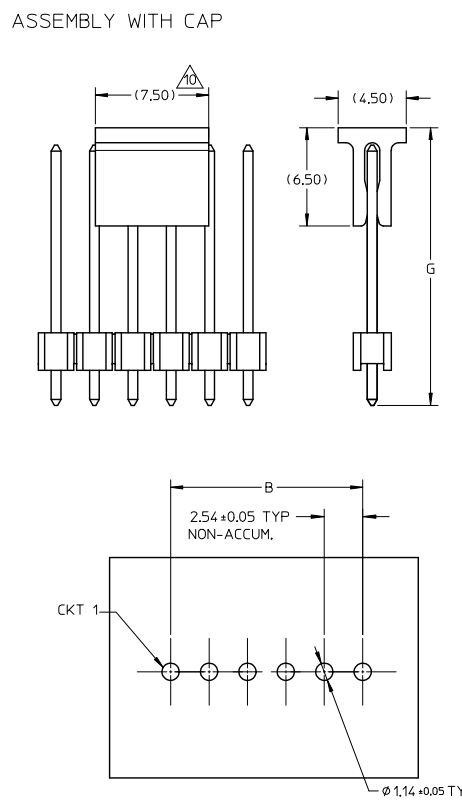
NOTES

1. MATERIAL:
HSG: NYLON, GLASS-FILLED, UL94V-0 COLOR: BLACK
PIN: 0.64MM SQ, COPPER ALLOY
2. PLATING TYPE:
(1) GOLD FLASH OVER
1.25µm MIN. NICKEL OVERALL.
(2) GOLD FLASH ON CONTACT AND
2.50µm MIN. TIN ON SOLDER TAIL OVER
1.25µm MIN. NICKEL OVERALL.
(3) 0.38µm MIN. GOLD PLATE ON CONTACT AND
2.00µm MIN. TIN ON SOLDER TAIL OVER
1.25µm MIN. NICKEL OVERALL.
(4) 0.75µm MIN. GOLD PLATE ON CONTACT AND
2.00µm MIN. TIN ON SOLDER TAIL OVER
1.25µm MIN. NICKEL OVERALL.
(5) 2.50µm MIN TIN OVERALL
1.25µm MIN NICKEL OVERALL
3. PRODUCT SPECIFICATION: PS-87920-019
4. PACKAGING TYPE: SEE TABLE
5. WAFER TO BE FLAT WITHIN 0.003 mm/mm
6. RECOMMENDED PCB THICKNESS IS 1.60mm±0.10
7. IRREGULAR CIRCUIT CUTOFF WITHIN BREAKAWAY SECTION IS PERMISSIBLE. CUTTING OR CHIPPING OF THE MAIN BODY IS NOT ACCEPTABLE
8. THE ABOVE CKT 6 IS FOR ILLUSTRATION PURPOSE ONLY
9. PACKAGING SPECIFICATION:
TRAY: PK-89990-489
BULK: PK-89990-491
10. CAP TO BE PLACED AT THE CENTER OF THE CONNECTOR.

SEE SHEET 2 EC NO: S2015-0293 DRAWING: 2014/11/18 CHK: DATSEE APPR: KILLIM 2014/12/01 2014/12/02	QUALITY SYMBOLS	GENERAL TOLERANCES (UNLESS SPECIFIED)	DIMENSION STYLE	SCALE	DESIGN UNITS	THIRD ANGLE PROJECTION	
	$\sqrt{\text{R}}=0$ $\sqrt{\text{F}}=0$ $\sqrt{\text{S}}=0$	mm INCH 4 PLACES ± --- ± --- 3 PLACES ± --- ± --- 2 PLACES ± 0.2 ± --- 1 PLACE ± --- ± --- ANGULAR ± 3 °	MM ONLY	NTS	METRIC	DRAWN BY: KCHO DATE: 2004/03/24 CHECKED BY: DATE: PTLIM 2004/04/02 APPROVED BY: DATE: SLOW 2004/04/08	TITLE: CUSTOM HEADER 2.54MM PITCH, SINGLE ROW SINGLE WAFER, T/H HEADER
	D	DRAFT WHERE APPLICABLE MUST REMAIN WITHIN DIMENSIONS	MATERIAL NO. SEE TABLE	MOLEX	DOCUMENT NO. SD-87891-001	SHEET NO. 1 OF 4	
	REV	SIZE A	THIS DRAWING CONTAINS INFORMATION THAT IS PROPRIETARY TO MOLEX INCORPORATED AND SHOULD NOT BE USED WITHOUT WRITTEN PERMISSION				

9 8 7 6 5 4 3 2 1

CKT SIZE	DIMENSION	
	A	B
02	5.08	2.54
03	7.62	5.08
04	10.16	7.62
05	12.70	10.16
06	15.24	12.70
07	17.78	15.24
08	20.32	17.78
09	22.86	20.32
10	25.40	22.86
11	27.94	25.40
12	30.48	27.94
13	33.02	30.48
14	35.56	33.02
15	38.10	35.56
16	40.64	38.10
17	43.18	40.64
18	45.72	43.18
19	48.26	45.72
20	50.80	48.26
21	53.34	50.80
22	55.88	53.34
23	58.42	55.88
24	60.96	58.42
25	63.50	60.96
26	66.04	63.50
27	68.58	66.04
28	71.12	68.58
29	73.66	71.12
30	76.20	73.66
31	78.74	76.20
32	81.28	78.74
33	83.82	81.28
34	86.36	83.82
35	88.90	86.36
36	91.44	88.90
37	93.98	91.44
38	96.52	93.98
39	99.06	96.52
40	101.60	99.06



ASSY W/CAP IN T&R	PART NO. IN TRAY PACKAGING	PART NO. IN BULK PACKAGING	CKT SIZE	VOID PIN	KINK PIN	G	DIMENSION			PLATING TYPE
							OAL	MATING END	SOLDER TAIL	
							F	M	P	
-	87891-0200	-	02	-	-	-	11.76	6.09	3.18	5
-	87891-0207	-	02	-	-	-	9.80	4.00	3.31	5
-	87891-0208	-	02	-	-	-	7.49	4.00	1.00	2
-	87891-0209	-	02	-	-	-	10.80	5.08	3.23	5
-	87891-0210	-	02	-	-	-	31.00	25.54	2.97	5
-	87891-0307	-	03	-	-	-	22.73	18.74	1.50	5
-	87891-0402	-	04	2	-	-	10.80	5.89	2.41	5
-	87891-0407	-	04	-	-	-	9.80	4.00	3.31	5
-	87891-0408	-	04	-	-	-	31.00	25.54	2.97	5
-	87891-0411	-	04	-	-	-	10.09	4.00	3.60	5
87891-0417	-	-	04	-	-	16.31	15.11	9.01	3.61	5
-	87891-0500	-	05	-	-	-	11.94	6.10	3.30	5
-	87891-0501	-	05	-	-	-	13.62	8.08	3.05	5
-	87891-0502	-	05	2	-	-	10.80	5.89	2.41	5
-	87891-0503	-	05	2	-	-	45.00	13.51	29.00	5
-	87891-0504	-	05	2	-	-	45.00	13.51	29.00	3
-	87891-0507	-	05	4	-	-	10.92	5.84	2.59	3
-	-	87891-0508	05	2, 4	-	-	11.38	5.84	3.05	5
-	87891-0516	-	05	-	-	-	32.49	16.00	14.00	4
-	87891-0517	-	05	-	-	-	23.62	17.32	3.81	5
-	87891-0607	-	06	-	-	-	13.75	8.08	3.18	5
-	87891-0608	-	06	-	-	-	18.03	13.54	2.00	5
-	87891-0609	-	06	-	-	-	28.30	22.16	3.65	5

ADD: 87891-0508 EC NO: S2015-0293 DRAWING: G00H CHK'D: ATSEE APPR: KILIM	2014/11/18 2014/12/01 2014/12/02	QUALITY SYMBOLS ∇=0 ∇=0 ∇=0	GENERAL TOLERANCES (UNLESS SPECIFIED)		DIMENSION STYLE MM ONLY		SCALE NTS	DESIGN UNITS METRIC	THIRD ANGLE PROJECTION
			4 PLACES ± --- ± --- 3 PLACES ± --- ± --- 2 PLACES ± 0.2 ± --- 1 PLACE ± --- ± --- ANGULAR ± 3°	DRAWN BY: KCHO CHECKED BY: PTLIM APPROVED BY: SCLOW	DATE: 2004/03/24 DATE: 2004/04/02 DATE: 2004/04/08	TITLE CUSTOM HEADER 2.54MM PITCH, SINGLE ROW SINGLE WAFER, T/H HEADER		MOLEX INCORPORATED	
DRAFT WHERE APPLICABLE MUST REMAIN WITHIN DIMENSIONS			MATERIAL NO. SEE TABLE		DOCUMENT NO. SD-87891-001		SHEET NO. 2 OF 4		THIS DRAWING CONTAINS INFORMATION THAT IS PROPRIETARY TO MOLEX INCORPORATED AND SHOULD NOT BE USED WITHOUT WRITTEN PERMISSION



Distributor of Molex Connector Corporation: Excellent Integrated System Limited

Datasheet of 0878910608 - 2.54MM SRSW TH HDR W/O CAP

Contact us: sales@integrated-circuit.com Website: www.integrated-circuit.com

10 9 8 7 6 5 4 3 2 1

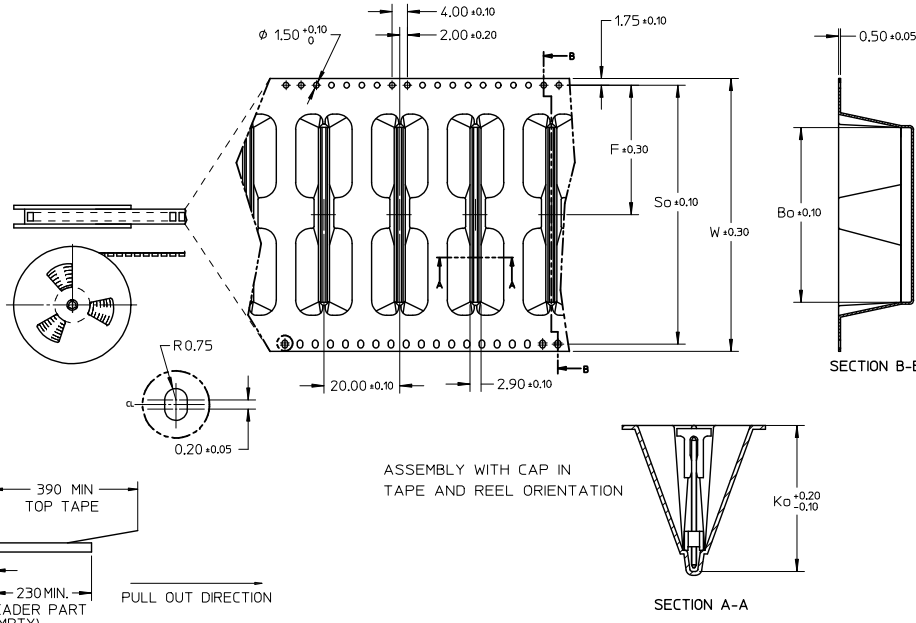
ASSY. W/CAP IN T&R	PART NO. IN TRAY PACKAGING	PART NO. IN BULK PACKAGING	CKT SIZE	VOID PIN	KINK PIN	G	DIMENSION			PLATING TYPE	
							OAL	MATING END	SOLDER TAIL		
							F	M	P		
-	87891-0602	-	06	-	-	-	12.80	8.00	2.31	5	
-	87891-0700	-	07	-	-	-	11.94	6.10	3.30	5	
-	87891-0751	-	07	-	-	-	13.74	8.00	3.25	5	
-	87891-0851	-	08	-	-	-	13.74	8.00	3.25	5	
-	-	87891-2601	26	4, 7, 17	-	-	11.13	5.59	3.05	3	
87891-1817	-	-	18	-	-	-	18.36	17.20	13.21	1.50	5
87891-1818	-	-	18	-	-	-	18.36	17.20	13.21	1.50	3
87891-2817	-	-	28	-	-	-	18.36	17.20	13.21	1.50	5
87891-2818	-	-	28	-	-	-	18.36	17.20	13.21	1.50	3

SEE SHEET 2 EC NO: S2015-0293 DRAWING NO: 2014/11/18 CHK/DAT/SEE: 2014/12/01 APPR: KILLIM	QUALITY SYMBOLS	GENERAL TOLERANCES (UNLESS SPECIFIED)	DIMENSION STYLE	SCALE	DESIGN UNITS	THIRD ANGLE PROJECTION	
	DESCRIPTION	mm INCH	MM ONLY	NTS	METRIC		
	$\nabla=0$ $\nabla=0$ $\nabla=0$	4 PLACES ± --- ± --- 3 PLACES ± --- ± --- 2 PLACES ± 0.2 ± --- 1 PLACE ± --- ± --- ANGULAR ± 3 °	DRAWN BY DATE KCHO 2004/03/24 CHECKED BY DATE PTLIM 2004/04/02 APPROVED BY DATE SLOW 2004/04/08				CUSTOM HEADER 2.54MM PITCH, SINGLE ROW SINGLE WAFER, T/H HEADER
	DRAFT WHERE APPLICABLE MUST REMAIN WITHIN DIMENSIONS	MATERIAL NO. SEE TABLE	MOLEX INCORPORATED MOLEX INCORPORATED AND SHOULD NOT BE USED WITHOUT WRITTEN PERMISSION	DOCUMENT NO. SD-87891-001	SHEET NO. 3 OF 4		

9 8 7 6 5 4 3 2 1

10	9	8	7	6	5	4	3	2	1
----	---	---	---	---	---	---	---	---	---

CKT	F	So	W	Bo	Ko	QTY/ REEL
4	14.20	28.40	32.00	10.60	17.50	250
18	34.20	68.40	72.00	46.12	19.25	230
28	42.20	84.40	88.00	71.52	19.25	230



- NOTES:**
- LEADER AND TRAILER TAPE
 - PEELING OFF FORCE OF THE TOP TAPE: 20-80gf.
 (PEELING DIRECTION AS SHOWN IN FOLLOWING FIGURE)
 - PACKAGING STANDARD IS AS PER EIA-481.
 - THE TAPE IS TREATED FOR ANTI-STATIC.

SEE SHEET 2 EC NO. S2015-0293 DRAWING: 2014/11/18 CHK: DATSEE 2014/12/01 APPR: KILLIM 2014/12/02	QUALITY SYMBOLS $\sqrt{\text{A}}=0$ $\sqrt{\text{B}}=0$ $\sqrt{\text{C}}=0$	GENERAL TOLERANCES (UNLESS SPECIFIED) <table border="1"> <tr> <th></th> <th>mm</th> <th>INCH</th> </tr> <tr> <td>4 PLACES</td> <td>± ---</td> <td>± ---</td> </tr> <tr> <td>3 PLACES</td> <td>± ---</td> <td>± ---</td> </tr> <tr> <td>2 PLACES</td> <td>± 0.2</td> <td>± ---</td> </tr> <tr> <td>1 PLACE</td> <td>± ---</td> <td>± ---</td> </tr> <tr> <td colspan="3">ANGULAR ± 3°</td> </tr> </table>		mm	INCH	4 PLACES	± ---	± ---	3 PLACES	± ---	± ---	2 PLACES	± 0.2	± ---	1 PLACE	± ---	± ---	ANGULAR ± 3°			DIMENSION STYLE MM ONLY	SCALE NTS	DESIGN UNITS METRIC	THIRD ANGLE PROJECTION
		mm	INCH																					
4 PLACES	± ---	± ---																						
3 PLACES	± ---	± ---																						
2 PLACES	± 0.2	± ---																						
1 PLACE	± ---	± ---																						
ANGULAR ± 3°																								
D	REV	DRAFT WHERE APPLICABLE MUST REMAIN WITHIN DIMENSIONS	DRAWN BY: KCHO CHECKED BY: PTLIM APPROVED BY: SLOW	DATE: 2004/03/24 DATE: 2004/04/02 DATE: 2004/04/08	TITLE: CUSTOM HEADER 2.54MM PITCH, SINGLE ROW SINGLE WAFER, T/H HEADER	MOLEX INCORPORATED DOCUMENT NO. SD-87891-001																		

9	8	7	6	5	4	3	2	1
---	---	---	---	---	---	---	---	---