

## Excellent Integrated System Limited

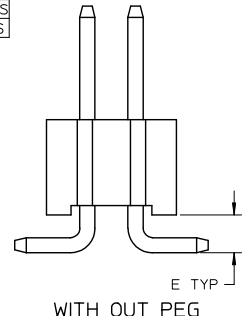
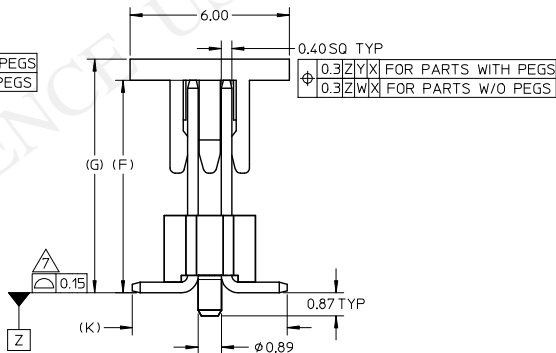
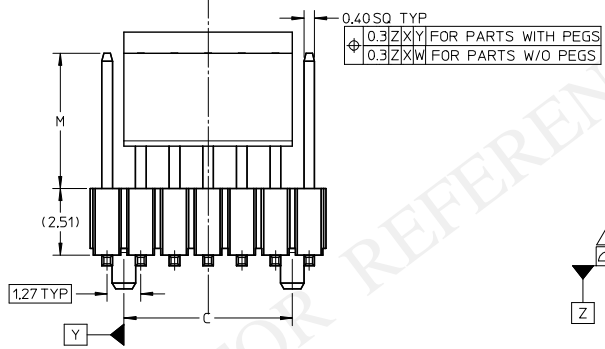
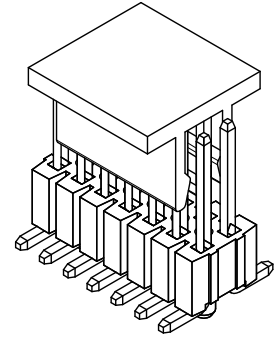
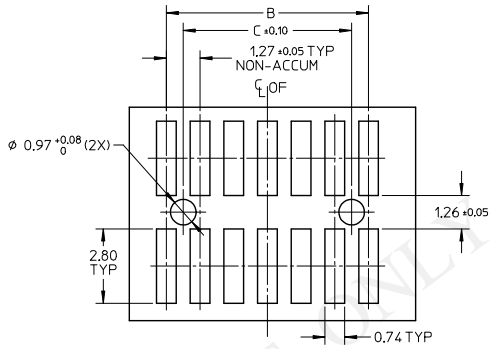
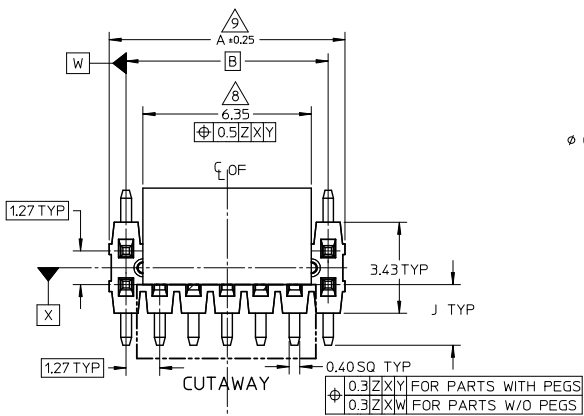
Stocking Distributor

Click to view price, real time Inventory, Delivery & Lifecycle Information:

[Molex Connector Corporation](#)  
[0879335028](#)

For any questions, you can email us directly:  
[sales@integrated-circuit.com](mailto:sales@integrated-circuit.com)

10 9 8 7 6 5 4 3 2 1



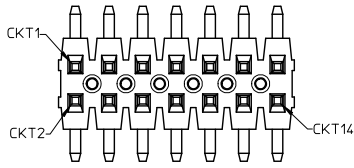
EM-87933-028

SEE SHEET 3 EC NO: S2016-0621 DRAWN: MRAMAKRISHNA 2016/07/29 CHKD: MRAMAKRISHNA 2016/07/29 APPR: MRAMAKRISHNA 2016/07/29	QUALITY SYMBOLS	GENERAL TOLERANCES (UNLESS SPECIFIED)	DIMENSION STYLE	SCALE	DESIGN UNITS	THIRD ANGLE PROJECTION
	$\nabla=0$	mm INCH	MM ONLY	NTS	METRIC	
	$\nabla=0$	4 PLACES ± --- ± ---	DRAWN BY DATE	TITLE		
	$\nabla=0$	3 PLACES ± --- ± ---	MRAMAKRISHNA 2015/05/08	CUSTOM HEADER		
	$\nabla=0$	2 PLACES ± 0.20 ± ---	CHECKED BY DATE	1.27MM PITCH DUAL ROW		
	1 PLACE ± --- ± ---	ATSEE 2015/05/08	HEADER, SINGLE WAFER, SMT			
	ANGULAR ± 3°	APPROVED BY DATE	MOLEX INCORPORATED			
		MRAMAKRISHNA 2015/06/11	MOLEX INCORPORATED			
	DRAFT WHERE APPLICABLE MUST REMAIN WITHIN DIMENSIONS	MATERIAL NO.	DOCUMENT NO.			
		SEE TABLE	SD-151159-0001			
		SIZE A3	THIS DRAWING CONTAINS INFORMATION THAT IS PROPRIETARY TO MOLEX INCORPORATED AND SHOULD NOT BE USED WITHOUT WRITTEN PERMISSION			
			SHEET NO. 1 OF 3			

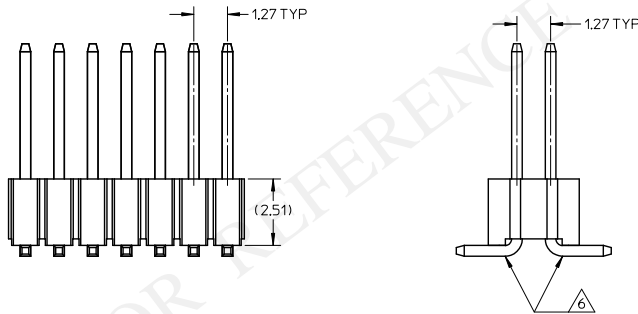
9 8 7 6 5 4 3 2 1

10 9 8 7 6 5 4 3 2 1

**CIRCUITS POSITION CONFIGURATION**



**PART WITHOUT PEG AND CAP VERSION**



**NOTES:**

1. MATERIAL:
  - HSG: LCP, GLASS-FILLED, UL94V-0, COLOR: BLACK
  - CAP: NYLON, GLASS-FILLED, UL94V-0, COLOR: BLACK
  - PIN: 0.40MM SQ. COPPER ALLOY
2. PLATING TYPE:
  - (1) GOLD FLASH OVER  
1.25µm MIN. NICKEL OVERALL.
  - (2) GOLD FLASH ON CONTACT AND  
2.50µm MIN. TIN ON SOLDER TAIL OVER  
1.25µm MIN. NICKEL OVERALL.
  - (3) 0.38µm MIN. GOLD PLATE ON CONTACT AND  
2.00µm MIN. TIN ON SOLDER TAIL OVER  
1.25µm MIN. NICKEL OVERALL.
  - (4) 0.76µm MIN. GOLD PLATE ON CONTACT AND  
2.00µm MIN. TIN ON SOLDER TAIL OVER  
1.25µm MIN. NICKEL OVERALL.
  - (5) 2.50µm MIN. TIN OVERALL  
1.25µm MIN. NICKEL OVERALL
3. PACKAGING TYPE: SEE TABLE
4. PCB THICKNESS 1.60+/-0.10mm
5. PRODUCT SPECIFICATION: PS-87933-001
- △ BEND DEPRESSION IS ACCEPTED SO LONG AS IT DOES NOT AFFECT THE OVERALL COPLANARITY OF TAIL
- △ COPLANARITY IS TO BE MEASURED BY RESTING THE SOLDER TAIL ON A FLAT SURFACE
- △ CAP POSITION TO BE LOCATED AT THE CENTER OF DIMENSION (A) REGARDLESS OF CIRCUIT SIZE  
TOP SURFACE OF CAP TO BE FLAT FOR THE PURPOSE OF PICK & PLACE BY VACUUM SUCTION NOZZLE
- △ IRREGULAR CIRCUIT CUTOFF WITHIN BREAKAWAY SECTION IS PERMISSIBLE. CUTTING OR CHIPPING OF THE MAIN BODY IS NOT ACCEPTABLE
10. PIN PUSH OUT FORCE: 0.4Kgf IN EITHER DIRECTION
11. THE ABOVE CKT 14 IS FOR ILLUSTRATION PURPOSE ONLY
12. PACKAGING SPECIFICATION:
  - T&R: PK-89990-567
  - TRAY: PK-89990-568

EM-87933-028

SEE SHEET 3 EC NO: S2016-0621 DRAWN: MRAMAKRISHNA 2016/07/29 CHKD: MRAMAKRISHNA 2016/07/29 APPR: MRAMAKRISHNA 2016/07/29	QUALITY SYMBOLS	GENERAL TOLERANCES (UNLESS SPECIFIED)	DIMENSION STYLE	SCALE	DESIGN UNITS	THIRD ANGLE PROJECTION
	▽=0	4 PLACES ± --- ± ---	MM ONLY	NTS	METRIC	◎ □
	▽=0	3 PLACES ± --- ± ---	DRAWN BY DATE			
	▽=0	2 PLACES ± 0.20 ± ---	MRAMAKRISHNA 2015/05/08	TITLE		
	▽=0	1 PLACE ± --- ± ---	CHECKED BY DATE	CUSTOM HEADER 1.27MM PITCH DUAL ROW HEADER, SINGLE WAFER, SMT		
	ANGULAR ± 3 °	ATSEE 2015/05/08	APPROVED BY DATE	MOLEX INCORPORATED		
		MRAMAKRISHNA 2015/06/11	MATERIAL NO.	DOCUMENT NO.	SD-151159-0001	
			SIZE	THIS DRAWING CONTAINS INFORMATION THAT IS PROPRIETARY TO MOLEX INCORPORATED AND SHOULD NOT BE USED WITHOUT WRITTEN PERMISSION		
			3	SHEET NO. 2 OF 3		

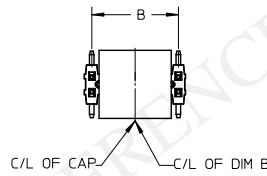
9 8 7 6 5 4 3 2 1

CKT SIZE	DIMENSION		
	A	B	C
04	2.54	1.27	-
06	3.81	2.54	-
08	5.08	3.81	-
10	6.35	5.08	3.81
12	7.62	6.35	-
14	8.89	7.62	-
16	10.16	8.89	-
18	11.43	10.16	-
20	12.70	11.43	10.16
22	13.97	12.70	-
24	15.24	13.97	-
26	16.51	15.24	-
28	17.78	16.51	-
30	19.05	17.78	16.51
32	20.32	19.05	-
34	21.59	20.32	-
36	22.86	21.59	-
38	24.13	22.86	-
40	25.40	24.13	22.86
42	26.67	25.40	-
44	27.94	26.67	-
46	29.21	27.94	-
48	30.48	29.21	-
50	31.75	30.48	29.21
64	40.64	39.37	-

PART NUMBER IN PACKAGIN OPTION				CKT SIZE	PEG	PLATE OPT.	VOID POSITION	DIMENSION					
TRAY WITHOUT CAP	TAPE & REEL WITH CAP W/O PEG	TUBE WITHOUT CAP	TUBE WITH CAP					G	F	MATING END M	E	J	(K)
-	-	151159-0400	-	04	NO	1	-	-	6.51	3.00	1.00	1.92	5.10
-	151159-0600	-	-	06	NO	5	-	10.81	10.01	6.50	1.00	2.36	6.00
151159-2000	-	-	-	20	NO	4	-	-	8.61	4.83	1.27	2.36	6.00
-	151159-2400	-	-	24	NO	5	-	13.31	12.51	9.00	1.00	2.36	6.00
-	151159-6400	-	-	64	NO	1	-	7.21	5.96	3.05	0.40	2.28	5.84

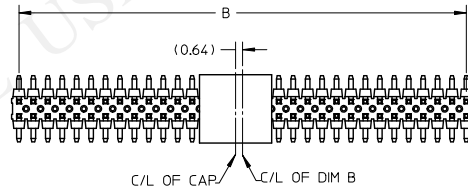
### CAP POSITION ILLUSTRATION FOR REFERENCE

FOR ILLUSTRATION 14 CKT AS SHOWN



C/L OF DIM B = C/L OF CAP  
FOR ODD CKT COLUMN

FOR ILLUSTRATION 64 CKT AS SHOWN

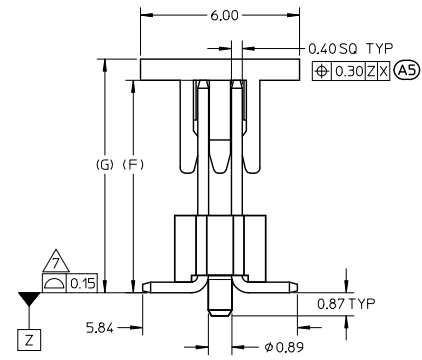
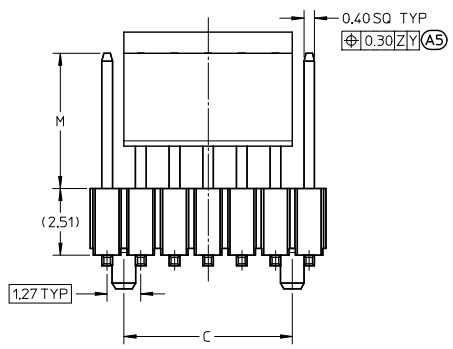
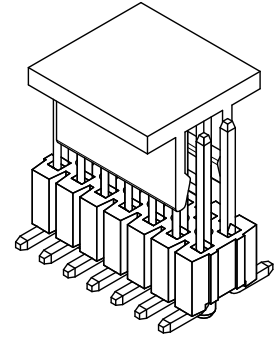
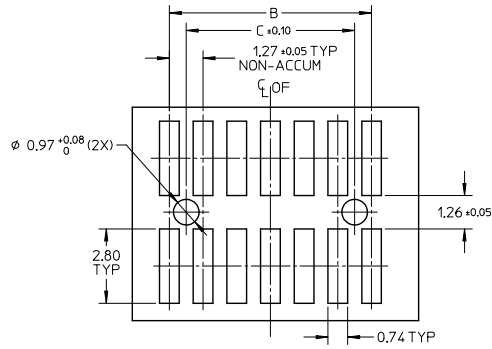
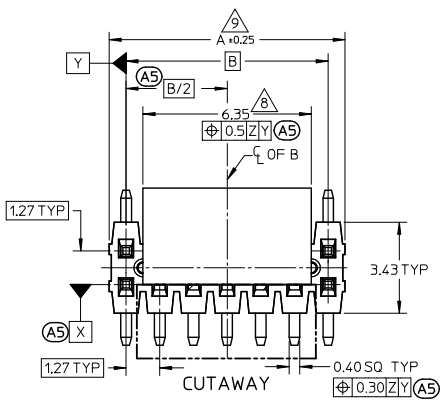


C/L OF DIM B IS OFFSET WITH C/L OF CAP  
FOR EVEN CKT COLUMN

EM-87933-028

ADD P/N 151159-2400 EC. NO. S2016-0621 DRAWR:MRAMAKRISHNA.2016/07/29 CHKD: MRAMAKRISHNA.2016/07/29 APPR:MRAMAKRISHNA.2016/07/29	QUALITY SYMBOLS	GENERAL TOLERANCES (UNLESS SPECIFIED)	DIMENSION STYLE	SCALE	DESIGN UNITS	THIRD ANGLE PROJECTION																		
	$\nabla=0$ $\nabla=0$ $\nabla=0$	<table border="1"> <tr><th colspan="2">mm</th><th>INCH</th></tr> <tr><td>4 PLACES</td><td>±---</td><td>±---</td></tr> <tr><td>3 PLACES</td><td>±---</td><td>±---</td></tr> <tr><td>2 PLACES</td><td>±0.20</td><td>±---</td></tr> <tr><td>1 PLACE</td><td>±---</td><td>±---</td></tr> <tr><td colspan="2">ANGULAR</td><td>± 3°</td></tr> </table>	mm		INCH	4 PLACES	±---	±---	3 PLACES	±---	±---	2 PLACES	±0.20	±---	1 PLACE	±---	±---	ANGULAR		± 3°	MM ONLY	NTS	METRIC	
	mm		INCH																					
	4 PLACES	±---	±---																					
	3 PLACES	±---	±---																					
2 PLACES	±0.20	±---																						
1 PLACE	±---	±---																						
ANGULAR		± 3°																						
REV	DRAWN BY	CHECKED BY	APPROVED BY	DATE	TITLE																			
5	MRAMAKRISHNA	ATSEE	MRAMAKRISHNA	2015/06/11	<b>CUSTOM HEADER</b> <b>1.27MM PITCH DUAL ROW</b> <b>HEADER,SINGLE WAFER,SMT</b> <b>MOLEX INCORPORATED</b>																			
			SEE TABLE			DOCUMENT NO. SD-151159-0001 SHEET NO. 3 OF 3																		

10 9 8 7 6 5 4 3 2 1

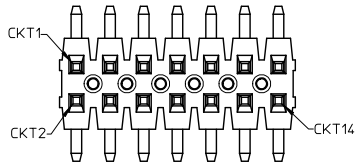


UPDATE Dwg FEATURE EPN: SD-87933-100 2015/09/22 DRW: N/SEE 2015/09/22 CHKD: GGH 2015/09/22 APPR: KILLIM	QUALITY SYMBOLS	GENERAL TOLERANCES (UNLESS SPECIFIED)		DIMENSION STYLE MM ONLY		SCALE NTS	DESIGN UNITS METRIC	THIRD ANGLE PROJECTION
	$\nabla=0$	4 PLACES	±---	±---	DRAWN BY	DATE	TITLE	
	$\nabla=0$	3 PLACES	±---	±---	SKLIM01	2007/04/24	CUSTOM HEADER	
	$\nabla=0$	2 PLACES	±0.20	±---	CHECKED BY	DATE	1.27MM PITCH DUAL ROW	
		1 PLACE	±---	±---	DATE	HEADER, SINGLE WAFER, SMT		
		ANGULAR ± 3°		APPROVED BY	DATE	MOLEX INCORPORATED		
		DRAFT WHERE APPLICABLE MUST REMAIN WITHIN DIMENSIONS		MATERIAL NO.	SEE TABLE	DOCUMENT NO.	SD-87933-100	SHEET NO. 1 OF 3
				SIZE	A3	THIS DRAWING CONTAINS INFORMATION THAT IS PROPRIETARY TO MOLEX INCORPORATED AND SHOULD NOT BE USED WITHOUT WRITTEN PERMISSION		

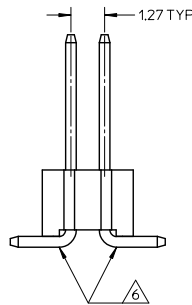
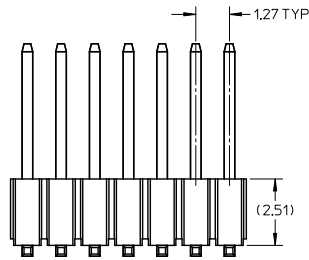
9 8 7 6 5 4 3 2 1

10 9 8 7 6 5 4 3 2 1

**CIRCUITS POSITION CONFIGURATION**



**PART WITHOUT PEG AND CAP VERSION**



**NOTES:**

1. MATERIAL:
  - HSG: LCP, GLASS-FILLED, UL94V-0, COLOR: BLACK
  - CAP: NYLON, GLASS-FILLED, UL94V-0, COLOR: BLACK
  - PIN: 0.40MM SQ. COPPER ALLOY
2. PLATING TYPE:
  - (1) GOLD FLASH OVER  
1.25µm MIN. NICKEL OVERALL.
  - (2) GOLD FLASH ON CONTACT AND  
2.50µm MIN. TIN ON SOLDER TAIL OVER  
1.25µm MIN. NICKEL OVERALL.
  - (3) 0.38µm MIN. GOLD PLATE ON CONTACT AND  
2.00µm MIN. TIN ON SOLDER TAIL OVER  
1.25µm MIN. NICKEL OVERALL.
  - (4) 0.76µm MIN. GOLD PLATE ON CONTACT AND  
2.00µm MIN. TIN ON SOLDER TAIL OVER  
1.25µm MIN. NICKEL OVERALL.
  - (5) 2.50µm MIN. TIN OVERALL  
1.25µm MIN. NICKEL OVERALL
3. PACKAGING TYPE: SEE TABLE
4. PCB THICKNESS 1.60+/-0.10mm
5. PRODUCT SPECIFICATION: PS-87933-001
- △ BEND DEPRESSION IS ACCEPTED SO LONG AS IT DOES NOT AFFECT THE OVERALL COPLANARITY OF TAIL
- △ COPLANARITY IS TO BE MEASURED BY RESTING THE SOLDER TAIL ON A FLAT SURFACE
- △ CAP POSITION TO BE LOCATED AT THE CENTER OF DIMENSION (A) REGARDLESS OF CIRCUIT SIZE  
TOP SURFACE OF CAP TO BE FLAT FOR THE PURPOSE OF PICK & PLACE BY VACUUM SUCTION NOZZLE
- △ IRREGULAR CIRCUIT CUTOFF WITHIN BREAKAWAY SECTION IS PERMISSIBLE. CUTTING OR CHIPPING OF THE MAIN BODY IS NOT ACCEPTABLE
10. PIN PUSH OUT FORCE: 0.4Kgf IN EITHER DIRECTION
11. THE ABOVE CKT 14 IS FOR ILLUSTRATION PURPOSE ONLY
12. PACKAGING SPECIFICATION:
  - T&R: PK-89990-567
  - TRAY: PK-89990-568/ PK-87933-300

SEE SHT 1 EC. NO.: S2016-0250 DRAWN BY: 2015/09/03 CHKD: GOH APPR: KILLIM 2015/09/22 2015/09/22	QUALITY SYMBOLS	GENERAL TOLERANCES (UNLESS SPECIFIED)	DIMENSION STYLE	SCALE	DESIGN UNITS	THIRD ANGLE PROJECTION
	√=0 √=0 √=0	4 PLACES ± --- ± --- 3 PLACES ± --- ± --- 2 PLACES ± 0.20 ± --- 1 PLACE ± --- ± --- ANGULAR ± 3 °	mm INCH DRAWN BY: SKLIM01 DATE: 2007/04/24 CHECKED BY: CWLAM DATE: 2007/05/04 APPROVED BY: KWLEE DATE: 2007/05/04	MM ONLY	NTS	METRIC
A5 REV	DRAFT WHERE APPLICABLE MUST REMAIN WITHIN DIMENSIONS	MATERIAL NO.: SEE TABLE SIZE: A3 THIS DRAWING CONTAINS INFORMATION THAT IS PROPRIETARY TO MOLEX INCORPORATED AND SHOULD NOT BE USED WITHOUT WRITTEN PERMISSION			MOLEX INCORPORATED DOCUMENT NO.: SD-87933-100 SHEET NO.: 2 OF 3	

9 8 7 6 5 4 3 2 1



Distributor of Molex Connector Corporation: Excellent Integrated System Limited

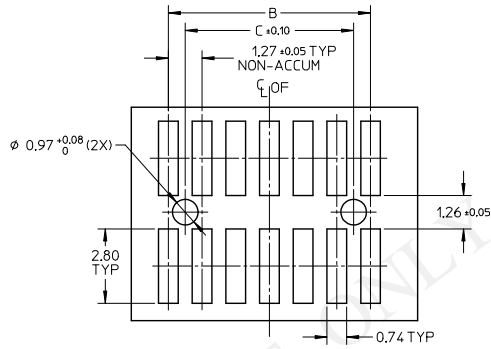
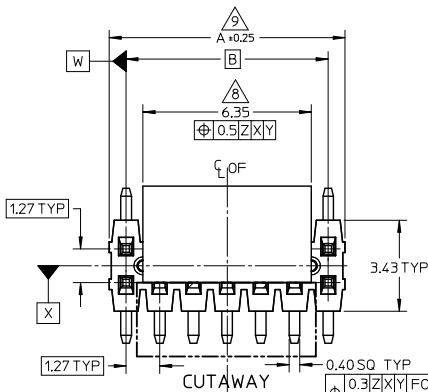
Datasheet of 0879335028 - 1.27MM DRSW HRD SMT WCAP T&R

Contact us: sales@integrated-circuit.com Website: www.integrated-circuit.com

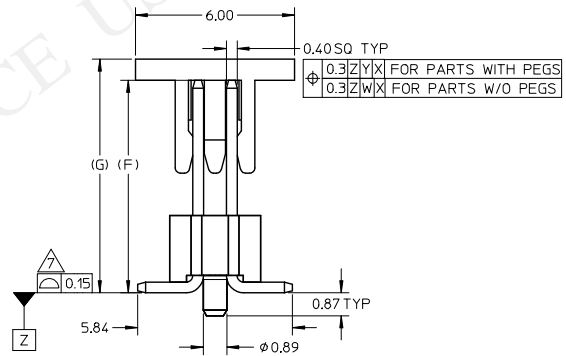
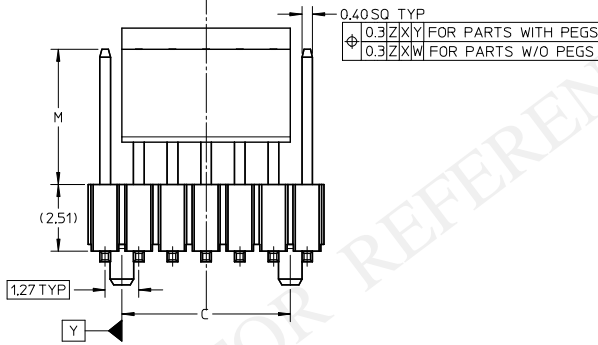
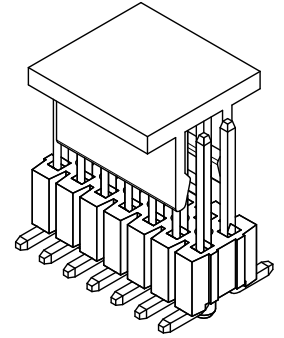
CKT SIZE	DIMENSION			PART NUMBER IN PACKAGIN OPTION					CKT SIZE	PEG	PLATE OPT.	VOID POSITION	DIMENSION		
	A	B	C	TRAY WITHOUT CAP	TRAY WITH CAP	TAPE & REEL WITH CAP	TUBE WITHOUT CAP	TUBE WITH CAP					G	F	MATING END M
	04	2.54	1.27	-	-	-	87933-1228	-					-	12	NO
06	3.81	2.54	-	-	-	87933-2020	-	-	20	NO	5	-	9.21	8.01	5.10
08	5.08	3.81	-	-	-	87933-5028	-	-	50	NO	3	-	7.21	5.96	3.05
10	6.35	5.08	3.81	-	-	-	-	-	-	-	-	-	-	-	-
12	7.62	6.35	-	-	-	-	-	-	-	-	-	-	-	-	-
14	8.89	7.62	-	-	-	-	-	-	-	-	-	-	-	-	-
16	10.16	8.89	-	-	-	-	-	-	-	-	-	-	-	-	-
18	11.43	10.16	-	-	-	-	-	-	-	-	-	-	-	-	-
20	12.70	11.43	10.16	-	-	-	-	-	-	-	-	-	-	-	-
22	13.97	12.70	-	-	-	-	-	-	-	-	-	-	-	-	-
24	15.24	13.97	-	-	-	-	-	-	-	-	-	-	-	-	-
26	16.51	15.24	-	-	-	-	-	-	-	-	-	-	-	-	-
28	17.78	16.51	-	-	-	-	-	-	-	-	-	-	-	-	-
30	19.05	17.78	16.51	-	-	-	-	-	-	-	-	-	-	-	-
32	20.32	19.05	-	-	-	-	-	-	-	-	-	-	-	-	-
34	21.59	20.32	-	-	-	-	-	-	-	-	-	-	-	-	-
36	22.86	21.59	-	-	-	-	-	-	-	-	-	-	-	-	-
38	24.13	22.86	-	-	-	-	-	-	-	-	-	-	-	-	-
40	25.40	24.13	22.86	-	-	-	-	-	-	-	-	-	-	-	-
42	26.67	25.40	-	-	-	-	-	-	-	-	-	-	-	-	-
44	27.94	26.67	-	-	-	-	-	-	-	-	-	-	-	-	-
46	29.21	27.94	-	-	-	-	-	-	-	-	-	-	-	-	-
48	30.48	29.21	-	-	-	-	-	-	-	-	-	-	-	-	-
50	31.75	30.48	29.21	-	-	-	-	-	-	-	-	-	-	-	-

SEE SHT 1 EC NO: S2016-0250 DRAWN BY: 2015/09/03 CHKD: GGH APPR: KLLM 2015/09/22 2015/09/22	QUALITY SYMBOLS $\nabla=0$ $\nabla=0$ $\nabla=0$	GENERAL TOLERANCES (UNLESS SPECIFIED)		DIMENSION STYLE MM ONLY		SCALE NTS	DESIGN UNITS METRIC	THIRD ANGLE PROJECTION
		4 PLACES $\pm$ --- $\pm$ --- 3 PLACES $\pm$ --- $\pm$ --- 2 PLACES $\pm$ 0.20 $\pm$ --- 1 PLACE $\pm$ --- $\pm$ --- ANGULAR $\pm$ 3°	mm INCH	DRAWN BY: SKLIM01 CHECKED BY: CWLAM APPROVED BY: KWLEE	DATE: 2007/04/24 DATE: 2007/05/04 DATE: 2007/05/04	TITLE: CUSTOM HEADER 1.27MM PITCH DUAL ROW HEADER, SINGLE WAFER, SMT	MOLEX INCORPORATED	MATERIAL NO. SEE TABLE
DRAFT WHERE APPLICABLE MUST REMAIN WITHIN DIMENSIONS		THIS DRAWING CONTAINS INFORMATION THAT IS PROPRIETARY TO MOLEX INCORPORATED AND SHOULD NOT BE USED WITHOUT WRITTEN PERMISSION						

10 9 8 7 6 5 4 3 2 1



**RECOMMENDED PCB LAYOUT: COMPONENT SIDE**



EM-87933-028

SEE SHEET 3 EC NO: S2015-1260 DRAWN: MRAMAKRISHNA 2015/05/04 CHKD: ATSEE 2015/05/04 APPR: MRAMAKRISHNA 2015/05/08	QUALITY SYMBOLS	GENERAL TOLERANCES (UNLESS SPECIFIED)	DIMENSION STYLE	SCALE	DESIGN UNITS	THIRD ANGLE PROJECTION
	$\nabla=0$ $\nabla=0$ $\nabla=0$	mm INCH 4 PLACES ± --- ± --- 3 PLACES ± --- ± --- 2 PLACES ± 0.20 ± --- 1 PLACE ± --- ± --- ANGULAR ± 3°	MM ONLY	NTS	METRIC	☉ $\square$
	DESCRIPTION	DRAFT WHERE APPLICABLE MUST REMAIN WITHIN DIMENSIONS	DRAWN BY DATE MRAMAKRISHNA 2015/05/04 CHECKED BY DATE ATSEE 2015/05/04 APPROVED BY DATE MRAMAKRISHNA 2015/05/08	TITLE	CUSTOM HEADER 1.27MM PITCH DUAL ROW HEADER, SINGLE WAFER, SMT	
	REV	SEE TABLE	SEE TABLE	MATERIAL NO.	DOCUMENT NO.	MOLEX INCORPORATED SD-87933-101
1	SIZE	THIS DRAWING CONTAINS INFORMATION THAT IS PROPRIETARY TO MOLEX INCORPORATED AND SHOULD NOT BE USED WITHOUT WRITTEN PERMISSION				

9 8 7 6 5 4 3 2 1

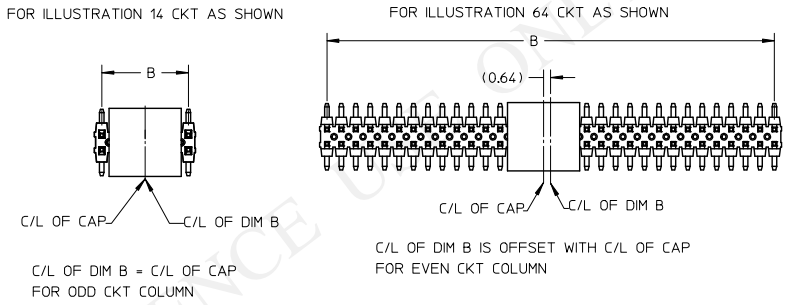




CKT SIZE	DIMENSION		
	A	B	C
04	2.54	1.27	-
06	3.81	2.54	-
08	5.08	3.81	-
10	6.35	5.08	3.81
12	7.62	6.35	-
14	8.89	7.62	-
16	10.16	8.89	-
18	11.43	10.16	-
20	12.70	11.43	10.16
22	13.97	12.70	-
24	15.24	13.97	-
26	16.51	15.24	-
28	17.78	16.51	-
30	19.05	17.78	16.51
32	20.32	19.05	-
34	21.59	20.32	-
36	22.86	21.59	-
38	24.13	22.86	-
40	25.40	24.13	22.86
42	26.67	25.40	-
44	27.94	26.67	-
46	29.21	27.94	-
48	30.48	29.21	-
50	31.75	30.48	29.21
64	40.64	39.37	-

PART NUMBER IN PACKAGING OPTION					CKT SIZE	PEG	PLATE OPT.	VOID POSITION	DIMENSION		
TRAY WITHOUT CAP	TRAY WITH CAP	TAPE & REEL WITH CAP W/O PEG	TUBE WITHOUT CAP	TUBE WITH CAP					G	F	MATING END M
-	-	87933-6400	-	-	64	NO	1	-	7.21	5.96	3.05

**CAP POSITION ILLUSTRATION FOR REFERENCE**



FOR REFERENCE

EM-87933-028

ADD P/N 87933-6400 EC NO. S2015-1260 DRAWN BY MRAMAKRISHNA 2015/05/04 CHKD BY ATSEE 2015/05/04 APPR BY MRAMAKRISHNA 2015/05/08	QUALITY SYMBOLS	GENERAL TOLERANCES (UNLESS SPECIFIED)	DIMENSION STYLE	SCALE	DESIGN UNITS	THIRD ANGLE PROJECTION
	$\nabla=0$ $\nabla=0$ $\nabla=0$	4 PLACES ± --- ± --- 3 PLACES ± --- ± --- 2 PLACES ± 0.20 ± --- 1 PLACE ± --- ± --- ANGULAR ± 3°	MM ONLY	NTS	METRIC	
	DRAWN BY MRAMAKRISHNA 2015/05/04 CHECKED BY ATSEE 2015/05/04 APPROVED BY MRAMAKRISHNA 2015/05/08	DIMENSION STYLE: MM ONLY SCALE: NTS DESIGN UNITS: METRIC TITLE: CUSTOM HEADER 1.27MM PITCH DUAL ROW HEADER, SINGLE WAFER, SMT MOLEX INCORPORATED DOCUMENT NO. SD-87933-101 SHEET NO. 3 OF 3	DRAWN BY DATE: MRAMAKRISHNA 2015/05/04 CHECKED BY DATE: ATSEE 2015/05/04 APPROVED BY DATE: MRAMAKRISHNA 2015/05/08			
	DRAFT WHERE APPLICABLE MUST REMAIN WITHIN DIMENSIONS SEE TABLE THIS DRAWING CONTAINS INFORMATION THAT IS PROPRIETARY TO MOLEX INCORPORATED AND SHOULD NOT BE USED WITHOUT WRITTEN PERMISSION					