

## Excellent Integrated System Limited

Stocking Distributor

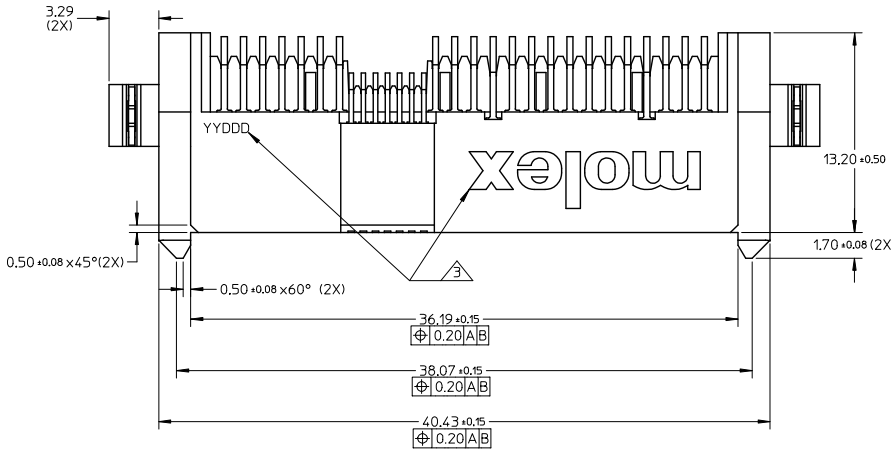
Click to view price, real time Inventory, Delivery & Lifecycle Information:

[Molex Connector Corporation](#)  
[0879450001](#)

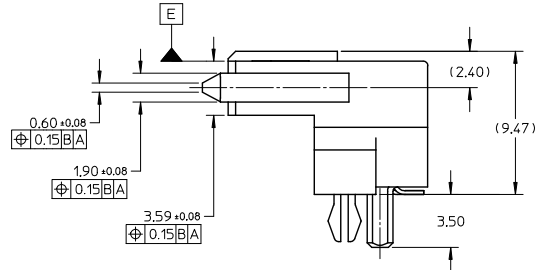
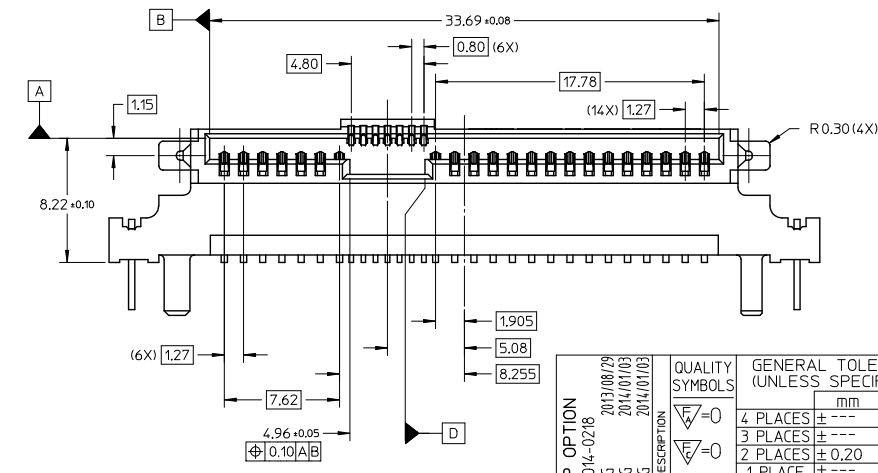
For any questions, you can email us directly:

[sales@integrated-circuit.com](mailto:sales@integrated-circuit.com)

10 9 8 7 6 5 4 3 2 1



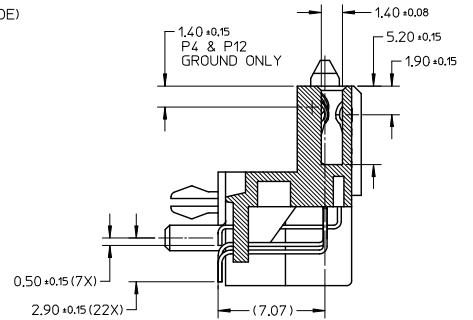
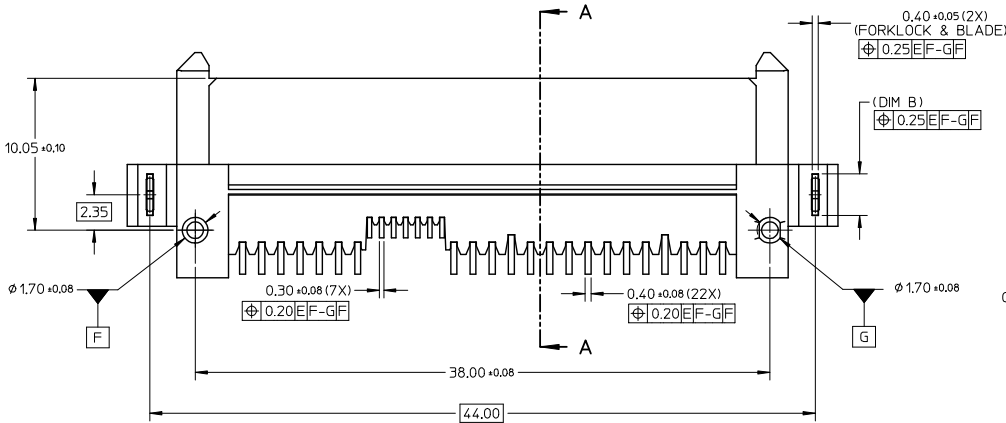
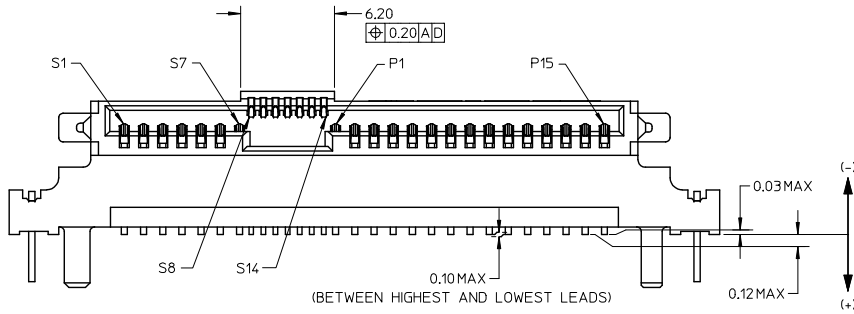
- NOTES:
1. MATERIAL  
HOUSING: NYLON 9T, GLASS FILLED, UL 94V-0, BLACK  
CAP: LCP, GLASS FILLED, UL 94V-0, BLACK  
TERMINAL: COPPER ALLOY  
FORK LOCK/BLADE: COPPER ALLOY
  2. PLATING:  
TERMINAL:  
CONTACT: 0.764μm MIN. SELECTIVE GOLD OVER 1.274μm MIN. NICKEL UNDERPLATE  
SOLDERTAIL: 2.544μm MIN. TIN OVER 1.274μm MIN. NICKEL UNDERPLATE  
FORK LOCK/BLADE:  
2.544μm MIN. TIN OVER 1.274μm MIN. NICKEL UNDERPLATE
  3. MOLEX LOGO AND DATE CODE LOCATED APPROXIMATELY AS SHOWN.
  4. NON FUNCTIONAL CORE HOLE MAY VARY.
  5. THIS PRODUCT IS COMPLIANT TO RoHS DIRECTIVE WITH THE FOLLOWING BANNED SUBSTANCES - LEAD, MERCURY, CADMIUM, HEXAVALENT CHROMIUM, POLYBROMINATED BIPHENYLS AND POLYBROMINATED DIPHENYL ETHERS.
  6. PRODUCT SPECIFICATION PS-87945-034 APPLIES.
  7. MATES WITH : SFF-8482 PLUG  
SATA PLUG SERIES 87679, 87703 AND 87799
  8. PACKAGING SPECIFICATION : TRAY : PK-87945-001  
TAPE & REEL : PK-87945-002



ADD CAP OPTION EC NO: S2014-0218 DRAWNSKANG CHK:RLONG APPR:RLONG 2013/08/29 2014/07/03 2014/07/03	QUALITY SYMBOLS	GENERAL TOLERANCES (UNLESS SPECIFIED)	DIMENSION STYLE	SCALE	DESIGN UNITS	THIRD ANGLE PROJECTION
	√=0 ∇=0 ∇=0	mm INCH 4 PLACES ± --- ± --- 3 PLACES ± --- ± --- 2 PLACES ± 0.20 ± --- 1 PLACE ± --- ± --- 0 PLACE ± --- ± ---	MM ONLY	NTS	METRIC	
	ANGULAR ± 3° DRAFT WHERE APPLICABLE WITHIN DIMENSIONS	DRAWN BY DATE KCHO 2005/02/22 CHECKED BY DATE DKOH 2005/03/23 APPROVED BY DATE SKTOH 2005/03/23	TITLE	SERIAL ATTACH SCSI RECEPTACLE, RIGHT-ANGLE SMT, 7.07MM HEIGHT		
	MATERIAL NO. SEE TABLE	DOCUMENT NO. SD-87945-001	SHEET NO. 1 OF 6			

9 8 7 6 5 4 3 2 1

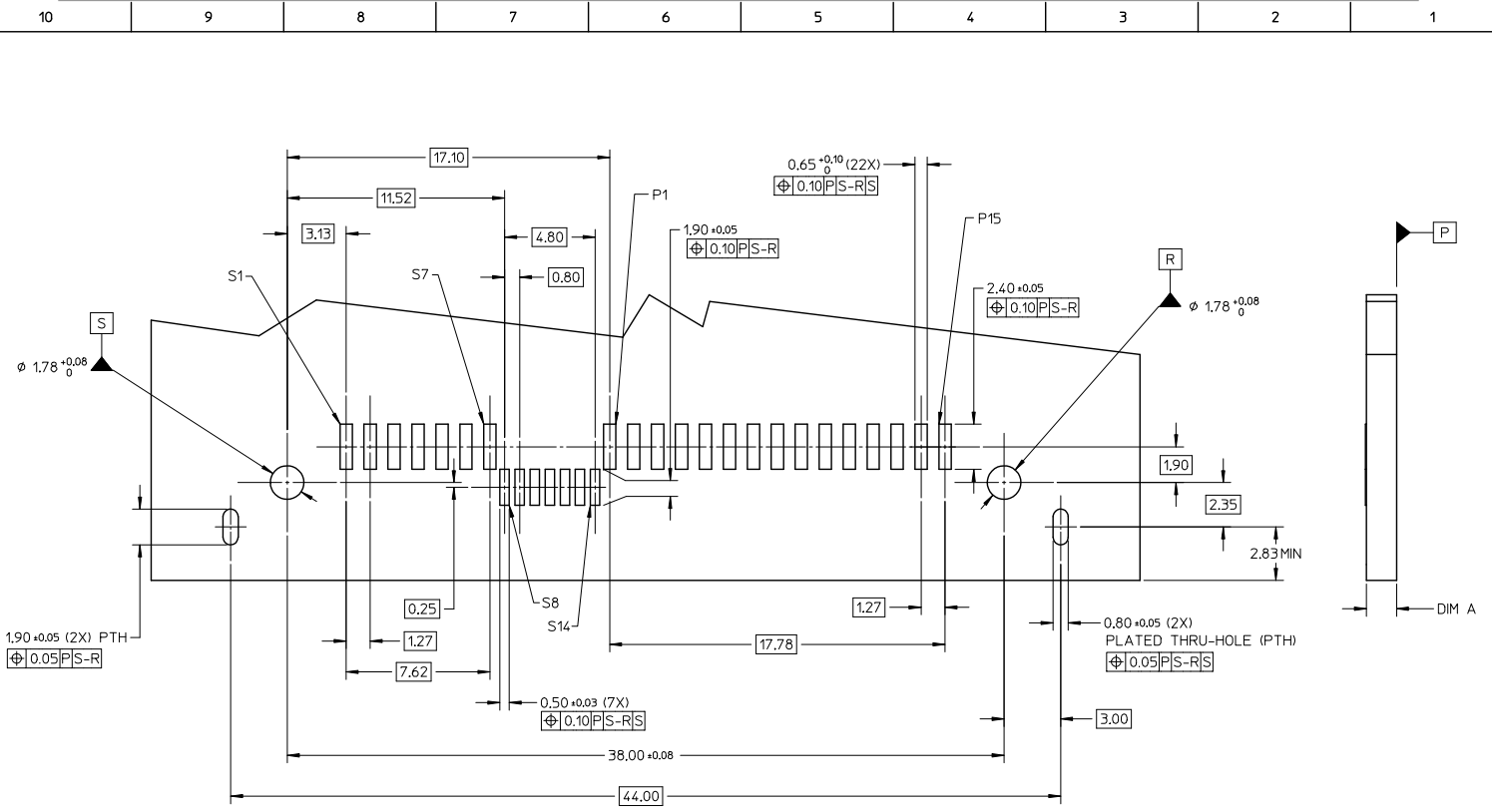
10 9 8 7 6 5 4 3 2 1



SECTION A-A

ADD CAP OPTION EC NO. S2014-0218 DRAWNSKANG 2013/08/29 CHYKCHILONG 2014/03/03 APPR:HLONG 2014/01/03	QUALITY SYMBOLS √=0 √=0 √=0	GENERAL TOLERANCES (UNLESS SPECIFIED)		DIMENSION STYLE		SCALE	DESIGN UNITS	THIRD ANGLE PROJECTION
				MM ONLY		NTS	METRIC	
				DRAWN BY	DATE	TITLE		
				CHECKED BY	DATE	SERIAL ATTACH SCSI RECEPTACLE, RIGHT-ANGLE SMT, 7.07MM HEIGHT		
		APPROVED BY		DATE	DOCUMENT NO.		SHEET NO.	
		SKTOH		2005/03/23	SD-87945-001		2 OF 6	
		MATERIAL NO.		SEE TABLE		THIS DRAWING CONTAINS INFORMATION THAT IS PROPRIETARY TO MOLEX INCORPORATED AND SHOULD NOT BE USED WITHOUT WRITTEN PERMISSION		
		ANGULAR ± 3 °		SIZE				
		DRAFT WHERE APPLICABLE MUST REMAIN WITHIN DIMENSIONS		A3				

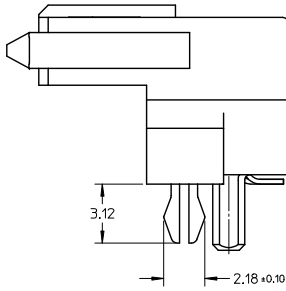
9 8 7 6 5 4 3 2 1



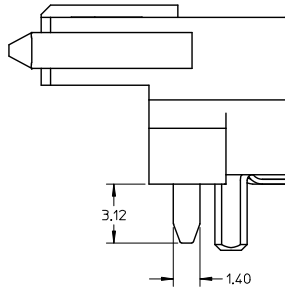
RECOMMENDED PCB LAYOUT

ADD CAP OPTION EC No: S2014-0218 DRAWN: SKANG CHK: CHILONG APPR: MULONG	2013/08/29 2014/01/03 2014/01/03	QUALITY SYMBOLS ∇=0 ∇=0 ∇=0	GENERAL TOLERANCES (UNLESS SPECIFIED) 4 PLACES ± --- ± --- 3 PLACES ± --- ± --- 2 PLACES ± 0.20 ± --- 1 PLACE ± --- ± --- 0 PLACE ± ±	DIMENSION STYLE MM ONLY	SCALE NTS	DESIGN UNITS METRIC	THIRD ANGLE PROJECTION	
	REV C	DESCRIPTION	ANGULAR ± 3° DRAFT WHERE APPLICABLE MUST REMAIN WITHIN DIMENSIONS	DRAWN BY KCHO DATE 2005/02/22	CHECKED BY DKOH DATE 2005/03/23	APPROVED BY SKTOH DATE 2005/03/23	TITLE SERIAL ATTACH SCSI RECEPTACLE, RIGHT-ANGLE SMT, 7.07MM HEIGHT	MATERIAL NO. SEE TABLE
	SIZE A3	DOCUMENT NO. SD-87945-001	SHEET NO. 3 OF 6	THIS DRAWING CONTAINS INFORMATION THAT IS PROPRIETARY TO MOLEX INCORPORATED AND SHOULD NOT BE USED WITHOUT WRITTEN PERMISSION				
	molex							

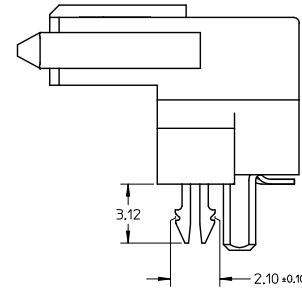
10	9	8	7	6	5	4	3	2	1
				PART NUMBER WITHOUT CAP IN TRAY	PART NUMBER WITH CAP IN T&R	HOLD DOWN	DIM A (PCB THICKNESS)		DIM B
				87945-0001	-	FORKLOCK	1.60±0.10		(2.18)
				87945-0002	87945-0202	BLADE	-		(1.40)
				87945-1001	87945-1201	FORKLOCK	1.834±0.183 TO 2.20±0.22 PCB FORKLOCK HOLE MUST BE PLATED THRU-HOLE (PTH) REGARDLESS WHETHER FORKLOCK IS SOLDERED OR NOT		(2.10)



87945-0001



87945-0002 (WITHOUT CAP)  
87945-0202 (WITH CAP)

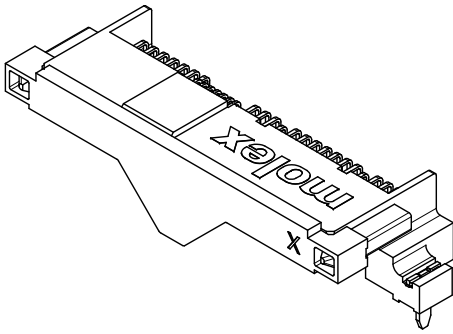
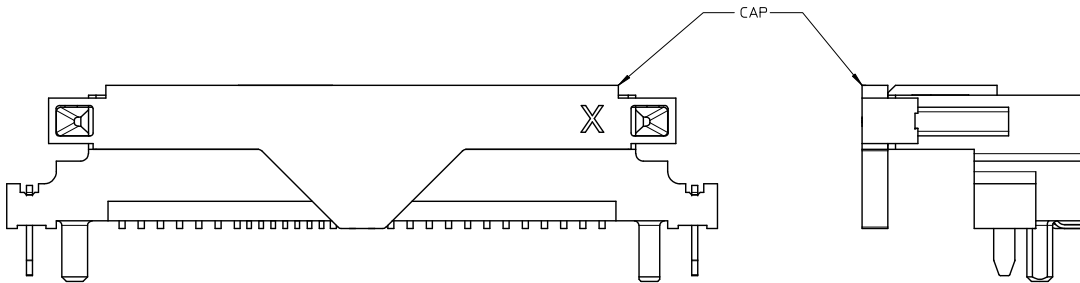


87945-1001 (WITHOUT CAP)  
87945-1201 (WITH CAP)

ADD CAP OPTION EC NO: S2014-0218 DRAWN: SKANG CHECKED: LONG APPROVED: LONG 2013/08/29 2014/01/03 2014/01/03	QUALITY SYMBOLS	GENERAL TOLERANCES (UNLESS SPECIFIED)	DIMENSION STYLE	SCALE	DESIGN UNITS	THIRD ANGLE PROJECTION																		
	$\nabla=0$ $\nabla=0$ $\nabla=0$	<table border="1"> <tr> <th></th> <th>mm</th> <th>INCH</th> </tr> <tr> <td>4 PLACES</td> <td>±---</td> <td>±---</td> </tr> <tr> <td>3 PLACES</td> <td>±---</td> <td>±---</td> </tr> <tr> <td>2 PLACES</td> <td>±0.20</td> <td>±---</td> </tr> <tr> <td>1 PLACE</td> <td>±---</td> <td>±---</td> </tr> <tr> <td>0 PLACE</td> <td>±</td> <td>±</td> </tr> </table>		mm	INCH	4 PLACES	±---	±---	3 PLACES	±---	±---	2 PLACES	±0.20	±---	1 PLACE	±---	±---	0 PLACE	±	±	MM ONLY	NTS	METRIC	
		mm	INCH																					
	4 PLACES	±---	±---																					
3 PLACES	±---	±---																						
2 PLACES	±0.20	±---																						
1 PLACE	±---	±---																						
0 PLACE	±	±																						
DRAWN BY: KCHO CHECKED BY: DKOH APPROVED BY: SKTOH DATE: 2005/02/22 DATE: 2005/03/23 DATE: 2005/03/23	ANGULAR ± 3° DRAFT WHERE APPLICABLE MUST REMAIN WITHIN DIMENSIONS	MATERIAL NO. SEE TABLE	TITLE SERIAL ATTACH SCSI RECEPTACLE, RIGHT-ANGLE SMT, 7.07MM HEIGHT <b>molex</b>	DOCUMENT NO. SD-87945-001	SHEET NO. 4 OF 6	THIS DRAWING CONTAINS INFORMATION THAT IS PROPRIETARY TO MOLEX INCORPORATED AND SHOULD NOT BE USED WITHOUT WRITTEN PERMISSION																		

10 9 8 7 6 5 4 3 2 1

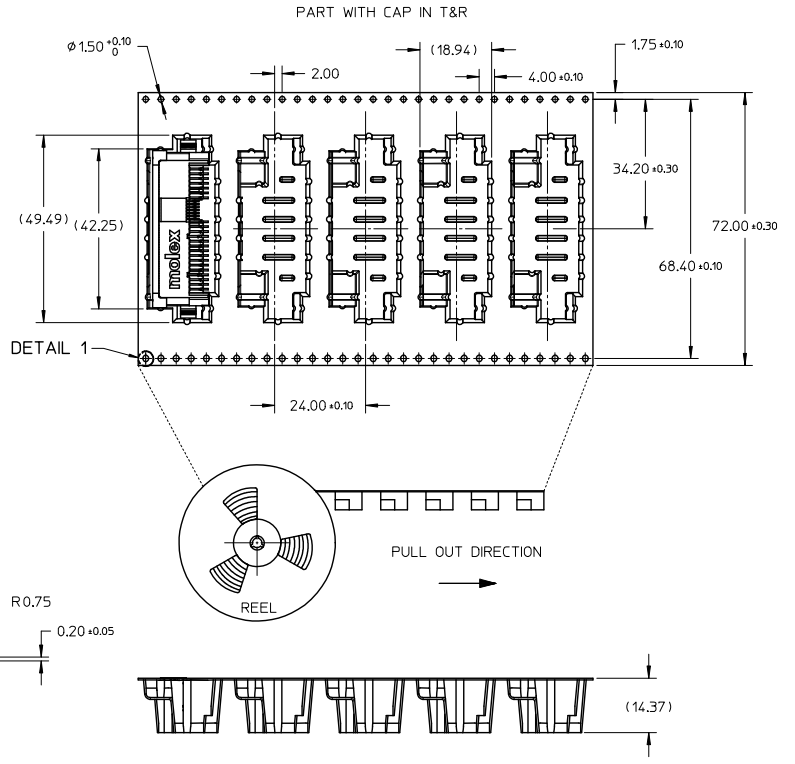
ILLUSTRATION FOR PART WITH CAP



<b>ADD CAP OPTION</b> EC NO: S2014-0218 DRAWN: SKANG CHECKED: LONG APPROVED: LONG 2013/08/29 2014/01/03 2014/01/03	QUALITY SYMBOLS $\sqrt{\text{A}}=0$ $\sqrt{\text{B}}=0$ $\sqrt{\text{C}}=0$	GENERAL TOLERANCES (UNLESS SPECIFIED)		DIMENSION STYLE <b>MM ONLY</b>		SCALE NTS	DESIGN UNITS METRIC	THIRD ANGLE PROJECTION	
		4 PLACES $\pm$ --- $\pm$ ---	mm INCH	DRAWN BY KCHO	DATE 2005/02/22	TITLE SERIAL ATTACH SCSI RECEPTACLE, RIGHT-ANGLE SMT, 7.07MM HEIGHT			
		3 PLACES $\pm$ --- $\pm$ ---	$\pm 0.20$ $\pm$ ---	CHECKED BY DKOH	DATE 2005/03/23	<b>molex</b>			
		2 PLACES $\pm$ --- $\pm$ ---	$\pm$ $\pm$	APPROVED BY SKTOH	DATE 2005/03/23	MATERIAL NO. SEE TABLE	DOCUMENT NO. SD-87945-001	SHEET NO. 5 OF 6	
1 PLACE $\pm$ --- $\pm$ ---		ANGULAR $\pm 3^\circ$		THIS DRAWING CONTAINS INFORMATION THAT IS PROPRIETARY TO MOLEX INCORPORATED AND SHOULD NOT BE USED WITHOUT WRITTEN PERMISSION					
0 PLACE $\pm$ --- $\pm$ ---		DRAFT WHERE APPLICABLE MUST REMAIN WITHIN DIMENSIONS							

9 8 7 6 5 4 3 2 1

10 9 8 7 6 5 4 3 2 1



- NOTES:
- LEADER AND TRAILER TAPE
  - PEELING OFF FORCE OF THE TOP TAPE: 20 - 80gf.  
 (PEELING DIRECTION AS SHOWN IN FOLLOWING FIGURE)
  - TAPE AND REEL SPECIFICATION IS AS PER EIA-481.
  - TAPE AND REEL QUANTITY : 150PCS
  - THE TAPE IS TREATED FOR ANTI-STATIC.

ADD CAP OPTION EC NO.: S2014-0218 DRAWN BY: CHYK-SIKANG CHECKED BY: CHYK-SIKANG APPROVED BY: CHYK-SIKANG DATE: 2013/08/29 DATE: 2014/01/03 DATE: 2014/01/03	QUALITY SYMBOLS	GENERAL TOLERANCES (UNLESS SPECIFIED)	DIMENSION STYLE	SCALE	DESIGN UNITS	THIRD ANGLE PROJECTION																								
	$\nabla=0$ $\nabla=0$ $\nabla=0$	<table border="1"> <tr><th colspan="2">mm</th><th colspan="2">INCH</th></tr> <tr><td>4 PLACES</td><td>± ---</td><td>± ---</td><td>± ---</td></tr> <tr><td>3 PLACES</td><td>± ---</td><td>± ---</td><td>± ---</td></tr> <tr><td>2 PLACES</td><td>± 0.20</td><td>± ---</td><td>± ---</td></tr> <tr><td>1 PLACE</td><td>± ---</td><td>± ---</td><td>± ---</td></tr> <tr><td>0 PLACE</td><td>±</td><td>±</td><td>±</td></tr> </table>	mm		INCH		4 PLACES	± ---	± ---	± ---	3 PLACES	± ---	± ---	± ---	2 PLACES	± 0.20	± ---	± ---	1 PLACE	± ---	± ---	± ---	0 PLACE	±	±	±	MM ONLY	NTS	METRIC	
	mm		INCH																											
	4 PLACES	± ---	± ---	± ---																										
3 PLACES	± ---	± ---	± ---																											
2 PLACES	± 0.20	± ---	± ---																											
1 PLACE	± ---	± ---	± ---																											
0 PLACE	±	±	±																											
DESCRIPTION	ANGULAR ± 3°	DRAWN BY: KCHO	DATE: 2005/02/22	TITLE: SERIAL ATTACH SCSI RECEPTACLE, RIGHT-ANGLE SMT, 7.07MM HEIGHT																										
REV	DRAFT WHERE APPLICABLE MUST REMAIN WITHIN DIMENSIONS	CHECKED BY: DKOH	DATE: 2005/03/23	DOCUMENT NO. SD-87945-001																										
		APPROVED BY: SKTOH	DATE: 2005/03/23	SHEET NO. 6 OF 6																										
		MATERIAL NO. SEE TABLE		THIS DRAWING CONTAINS INFORMATION THAT IS PROPRIETARY TO MOLEX INCORPORATED AND SHOULD NOT BE USED WITHOUT WRITTEN PERMISSION																										

9 8 7 6 5 4 3 2 1