

## Excellent Integrated System Limited

Stocking Distributor

Click to view price, real time Inventory, Delivery & Lifecycle Information:

[Molex Connector Corporation](#)  
[0879770021](#)

For any questions, you can email us directly:

[sales@integrated-circuit.com](mailto:sales@integrated-circuit.com)

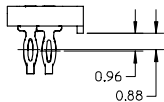
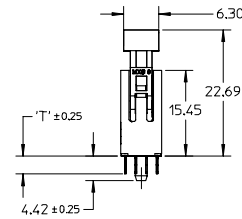
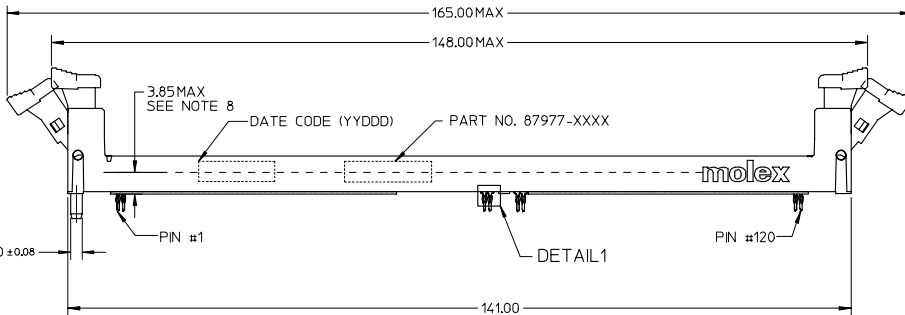
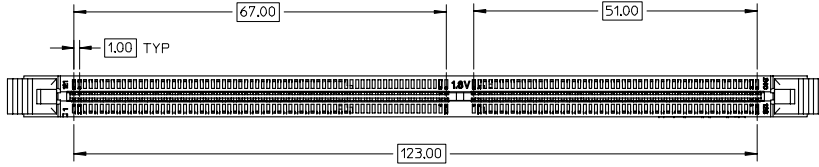
10 9 8 7 6 5 4 3 2 1

F  
E  
D  
C  
B  
A

F  
E  
D  
C  
B  
A

**NOTES:**

1. MATERIALS  
HOUSING - HIGH TEMP. NYLON, GLASS FILLED, UL 94V-0, BLACK  
EJECTOR - HIGH TEMP. NYLON, GLASS FILLED, UL 94V-0, NATURAL  
BASE PLATE - HIGH TEMP. NYLON, GLASS FILLED, UL 94V-0  
TERMINAL - COPPER ALLOY
2. PLATING - SEE TABLE IN SHEET 5.
3. CARD SLOT ACCEPTS 1.27±0.10 MM MODULE THICKNESS.  
(MEASURED OVER P.C. PADS)
4. RECOMMENDED MODULE LAYOUT SHALL BE AS PER JEDEC MO-14-066.
5. REFER TO PRODUCT SPEC. PS-87977-030 FOR PERFORMANCE SPECIFICATIONS.
6. PRODUCT SHALL BE PACKED IN TRAY.
7. PRODUCT SHALL HAVE DATE CODE STAMPED ON SIDE OF HOUSING.
8. PRODUCT IS SUITABLE FOR WAVE SOLDERING ONLY.
9. KEEP OUT AREA IS THE AREA WHERE THE CONNECTOR IS MOUNTED ONTO THE PCB WHICH DOES NOT INCLUDE THE LATCH.
10. REFER TO CRITICAL JEDEC INFORMATION FOR SOCKET OUTLINE PER SO-001.
11. DIMM MODULE SEATING PLANE FROM TOP OF PCB.
12. CONTACT MOLEX FOR AVAILABILITY OF PRODUCT OPTIONS.

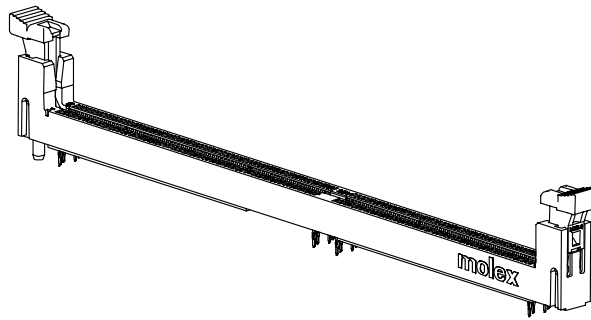
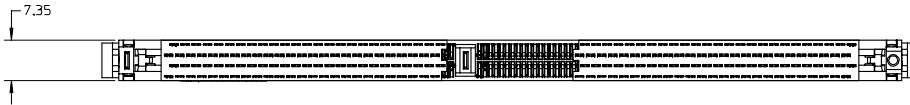


DETAIL 1

EC NO: S2006-0241 DRAWN BY: CCTEH CHKD BY: SRRAMESH APPR: GGLEE	DESCRIPTION	QUALITY SYMBOLS	GENERAL TOLERANCES (UNLESS SPECIFIED)	DIMENSION STYLE		SCALE	DESIGN UNITS	THIRD ANGLE PROJECTION
		▽=0 ▽=0		MM ONLY	NTS	METRIC		
REV: A			4 PLACES ± --- ± --- 3 PLACES ± --- ± --- 2 PLACES ± 0.20 ± --- 1 PLACE ± --- ± --- ANGULAR ± 5 °	DRAWN BY: CCTEH DATE: 2005/01/10	TITLE: SALES DRAWING DDR FB DIMM 1.00MM PITCH 240 CKTS VERT. PRESS-FIT			
			DRAFT WHERE APPLICABLE MUST REMAIN WITHIN DIMENSIONS	CHECKED BY: SRRAMESH DATE: 2005/08/30	MATERIAL NO. SEE TABLE DOCUMENT NO. SD-87977-020			
				APPROVED BY: GGLEE DATE: 2005/08/30	MOLEX INCORPORATED			
				SIZE: A3	THIS DRAWING CONTAINS INFORMATION THAT IS PROPRIETARY TO MOLEX INCORPORATED AND SHOULD NOT BE USED WITHOUT WRITTEN PERMISSION			

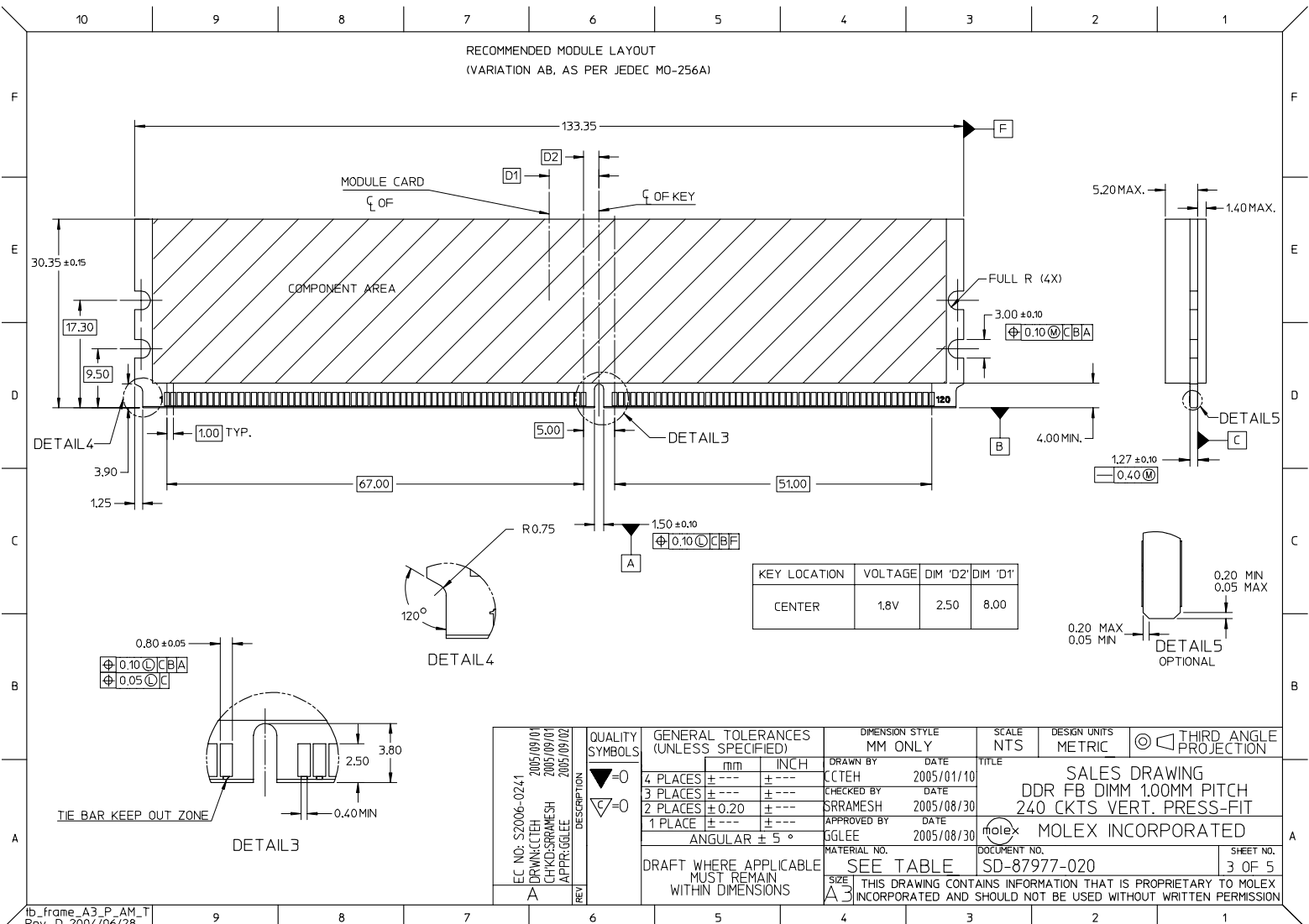
9 8 7 6 5 4 3 2 1

10 9 8 7 6 5 4 3 2 1



EC NO: S2006-0214 DRAWN: CTEH 2005/09/01 CHKD: SRRAMESH 2005/09/01 APPR: GGLEE 2005/09/02	QUALITY SYMBOLS ▽=0 ▽=0	GENERAL TOLERANCES (UNLESS SPECIFIED)		DIMENSION STYLE MM ONLY		SCALE NTS	DESIGN UNITS METRIC	THIRD ANGLE PROJECTION	
		4 PLACES ± --- ± ---	3 PLACES ± --- ± ---	DRAWN BY CCTEH	DATE 2005/01/10	TITLE SALES DRAWING			
		2 PLACES ± 0.20 ± ---	1 PLACE ± --- ± ---	CHECKED BY SRRAMESH	DATE 2005/08/30	DDR FB DIMM 1.00MM PITCH 240 CKTS VERT. PRESS-FIT			
		ANGULAR ± 5 °		APPROVED BY GGLEE	DATE 2005/08/30	MOLEX INCORPORATED			
DRAFT WHERE APPLICABLE MUST REMAIN WITHIN DIMENSIONS		MATERIAL NO. SEE TABLE		DOCUMENT NO. SD-87977-020			SHEET NO. 2 OF 5		

9 8 7 6 5 4 3 2 1

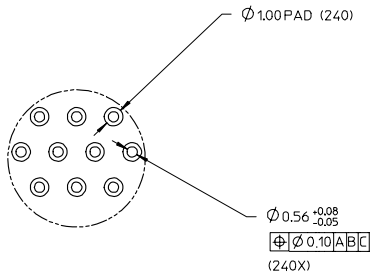
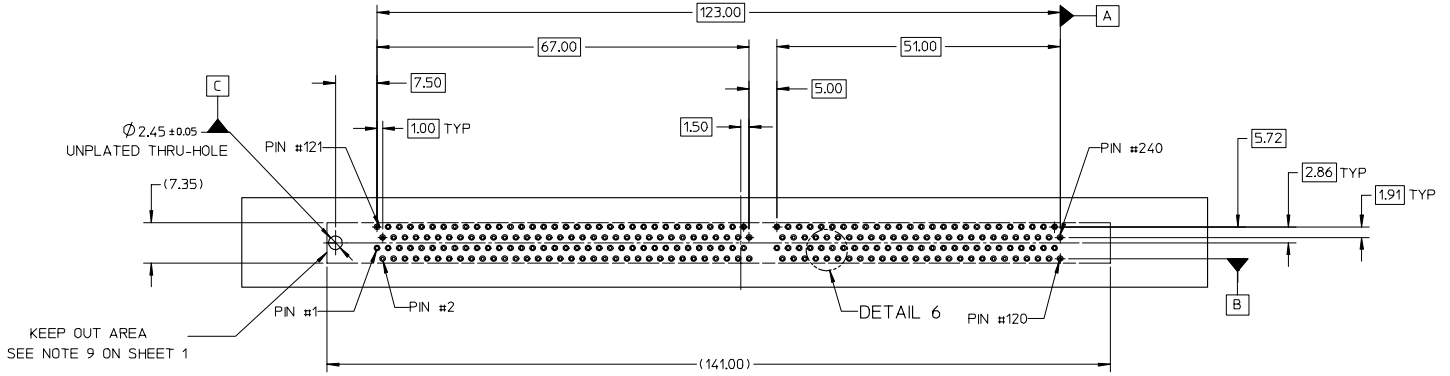


KEY LOCATION	VOLTAGE	DM 'D2'	DM 'D1'
CENTER	1.8V	2.50	8.00

EC NO: S2006-0241 DRAWN BY: CCTEH CHKD: SRRAMESH APPR: GGLEE	QUALITY SYMBOLS	GENERAL TOLERANCES (UNLESS SPECIFIED) mm INCH 4 PLACES ± --- ± --- 3 PLACES ± --- ± --- 2 PLACES ± 0.20 ± --- 1 PLACE ± --- ± --- ANGULAR ± 5 °	DIMENSION STYLE	SCALE	DESIGN UNITS	THIRD ANGLE PROJECTION
	DESCRIPTION		MM ONLY	NTS	METRIC	
	REV		DRAWN BY	DATE	TITLE	
	A		CCTEH	2005/01/10	SALES DRAWING	
		CHECKED BY	DATE	DDR FB DIMM 1.00MM PITCH 240 CKTS VERT. PRESS-FIT		
		SRRAMESH	2005/08/30	MOLEX INCORPORATED		
		APPROVED BY	DATE	MATERIAL NO.	DOCUMENT NO.	SHEET NO.
		GGLEE	2005/08/30	SEE TABLE	SD-87977-020	3 OF 5
DRAFT WHERE APPLICABLE MUST REMAIN WITHIN DIMENSIONS				THIS DRAWING CONTAINS INFORMATION THAT IS PROPRIETARY TO MOLEX INCORPORATED AND SHOULD NOT BE USED WITHOUT WRITTEN PERMISSION		

10 9 8 7 6 5 4 3 2 1

RECOMMENDED PCB HOLE PATTERN  
SEE TABLE IN SHEET 5 FOR  
RECOMMENDED PCB THICKNESS



DETAIL 6

EC NO: S2006-0241 DRAWN BY: CCTEH CHKD: SRRAMESH APPR: GGLEE	DESCRIPTION	QUALITY SYMBOLS	GENERAL TOLERANCES (UNLESS SPECIFIED)		DIMENSION STYLE		SCALE	DESIGN UNITS	THIRD ANGLE PROJECTION
		$\nabla=0$ $\nabla=0$	mm	INCH	MM ONLY	NTS	METRIC		
REV: A	DRAFT WHERE APPLICABLE MUST REMAIN WITHIN DIMENSIONS	4 PLACES	± ---	± ---	DRAWN BY: CCTEH	DATE: 2005/01/10	TITLE: SALES DRAWING		
		3 PLACES	± ---	± ---	CHECKED BY: SRRAMESH	DATE: 2005/08/30	DDR FB DIMM 1.00MM PITCH		
		2 PLACES	± 0.20	± ---	APPROVED BY: GGLEE	DATE: 2005/08/30	240 CKTS VERT. PRESS-FIT		
		1 PLACE	± ---	± ---	MATERIAL NO. SEE TABLE		DOCUMENT NO. SD-87977-020		SHEET NO. 4 OF 5

9 8 7 6 5 4 3 2 1

10 9 8 7 6 5 4 3 2 1

PART NO.	KEY POS.	DIM 'T'	RECOMENDED PCB THICKNESS	PLATING OPTION	LATCH COLOR
87977-0021	CENTER (1.8V)	3.15	3.30	0.38µM / 15 µIN MIN. GOLD ON CONTACT, 1.52µM/ 60µIN MIN. PURE TIN ON SOLDER TAILS, 1.27µM/ 50µIN MIN. NICKEL UNDERPLATE	NATURAL
87977-0051				0.76µM / 30 µIN MIN. GOLD ON CONTACT, 1.52µM/ 60µIN MIN. PURE TIN ON SOLDER TAILS, 1.27µM/ 50µIN MIN. NICKEL UNDERPLATE	
87977-9001				0.38µM / 15 µIN MIN. GOLD ON CONTACT, 1.52µM/ 60µIN MIN. PURE TIN ON SOLDER TAILS, 1.27µM/ 50µIN MIN. NICKEL UNDERPLATE	BLACK

EC NO: S2006-0241 DRAWN BY: CCTEH CHKD BY: SRRAMESH APPR: GGLEE	2005/09/01 2005/09/01 2005/09/02	QUALITY SYMBOLS = 0 = 0	DESCRIPTION REV: A	GENERAL TOLERANCES (UNLESS SPECIFIED)		DIMENSION STYLE MM ONLY		SCALE	DESIGN UNITS	THIRD ANGLE PROJECTION		
				4 PLACES	± ---	± ---	DRAWN BY	DATE	TITLE			
				3 PLACES	± ---	± ---	CCTEH	2005/01/10	SALES DRAWING			
2 PLACES	± 0.20	± ---	CHECKED BY	DATE	DDR FB DIMM 1.00MM PITCH							
1 PLACE	± ---	± ---	SRRAMESH	2005/08/30	240 CKTS VERT. PRESS-FIT							
ANGULAR ± 5 °			APPROVED BY	DATE	MOLEX INCORPORATED							
DRAFT WHERE APPLICABLE MUST REMAIN WITHIN DIMENSIONS			GGLEE	2005/08/30	MOLEX INCORPORATED							
			MATERIAL NO.	SEE TABLE	DOCUMENT NO.	SD-87977-020		SHEET NO.				
			SIZE	A3	THIS DRAWING CONTAINS INFORMATION THAT IS PROPRIETARY TO MOLEX INCORPORATED AND SHOULD NOT BE USED WITHOUT WRITTEN PERMISSION		5 OF 5					

9 8 7 6 5 4 3 2 1