

## Excellent Integrated System Limited

Stocking Distributor

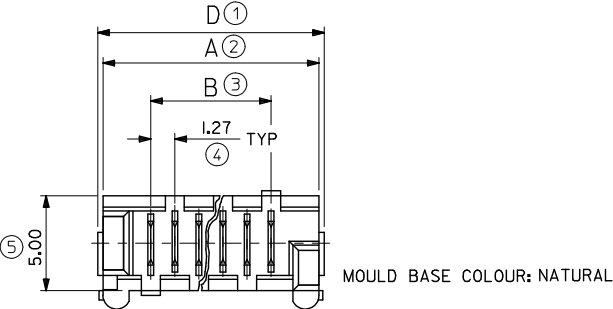
Click to view price, real time Inventory, Delivery & Lifecycle Information:

[Molex Connector Corporation](#)  
[0907790005](#)

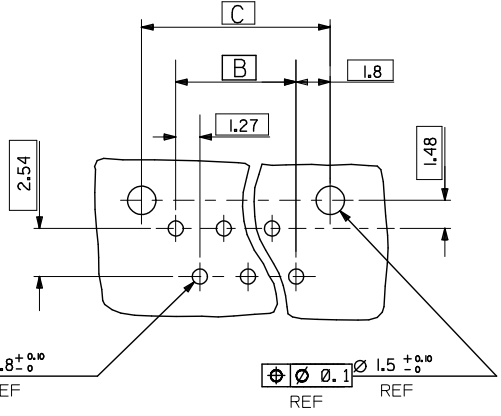
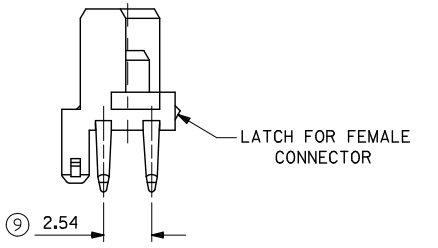
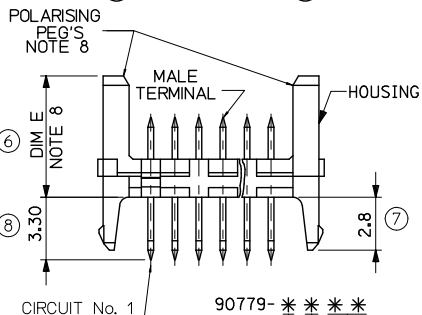
For any questions, you can email us directly:

[sales@integrated-circuit.com](mailto:sales@integrated-circuit.com)

10 9 8 7 6 5 4 3 2 1



90779-***13	26	36.80	3.175	35.35	37.26
↑ -**12	24	34.26	29.21	32.81	34.72
-**11	22	31.72	26.67	30.27	32.18
-**10	20	29.18	24.13	27.73	29.64
-**08	18	26.64	21.59	25.19	27.10
-**07	16	24.10	19.05	22.65	24.56
-**06	14	21.56	16.51	20.11	22.02
-**05	12	19.02	13.97	17.57	19.48
-**04	10	16.48	11.43	15.03	16.94
-**03	8	13.94	8.89	12.49	14.40
↓ -**02	6	11.40	6.35	9.95	11.86
90779-***01	4	8.86	3.81	7.41	9.32
PART NO.	NO. OF CKTS	DIM. A	DIM. B	DIM. C	DIM. D



CIRCUIT No. 1 90779-\*\*\*

CIRCUIT SIZE 04CKT TO 26CKT  
-SEE TABLE ABOVE FOR PART CODE

0 - STANDARD  
9 - SHORT VERSION

- 0= 4-6µm TIN ASSY
- 3= 0.6µm PALLADIUM NICKEL ASSY
- 7= 0.6µm PALLADIUM NICKEL, TUBED
- 9= 4-6µm TIN ASSY TUBED

- NOTES
- HOUSING: NYLON 46, GLASS FILLED UL 94 V-0, NATURAL (WHITE).
  - TERMINAL: BRASS
  - PLATING: TIN: 127 MICROMETRE MIN NICKEL UNDER 4-6 MICROMETRE TIN

- APPLICATION GLASS TO DIN 40040 HME (-25°C/+100°C)
  - COMPATIBLE WITH MOLEX PART 90327
  - PRODUCT SPECIFICATION: PS-99020-0011
  - POLARISING PEG AVAILABLE IN 2 OPTIONS
  - DIM E: STANDARD 6.40mm
  - DIM E: SHORT VERSION 4.10mm
  - PACKAGING SPECIFICATION: PK-90325-002
- LAST INSPECTION NUMBER USED: 9

REV	DESCRIPTION
1	REMOVED GOLD OPTION FROM PACKAGING
2	DRW:BY:BNES 2012/03/27
3	CHKD:SGNGREEVY 2012/03/29
4	APPR:EFOLAN 2012/07/17

QUALITY SYMBOLS	GENERAL TOLERANCES (UNLESS SPECIFIED)
▽=0	4 PLACES ± --- ± ---
▽=0	3 PLACES ± 0.20 ± ---
	2 PLACES ± 0.20 ± ---
	1 PLACE ± --- ± ---
	ANGULAR ± --- °
	DRAFT WHERE APPLICABLE MUST REMAIN WITHIN DIMENSIONS

DIMENSION STYLE	SCALE	DESIGN UNITS	THIRD ANGLE PROJECTION
MM ONLY	5:1	METRIC	☉
DRAWN BY	DATE	TITLE	
BGB	1992/08/21	HEADER ASSEMBLY	
CHECKED BY	DATE		
DMORJARTY	2004/12/03		
APPROVED BY	DATE		
JDENNEHY	2004/12/03		

MATERIAL NO.	DOCUMENT NO.	SHEET NO.
SEE CHART	SDA-90779	1 OF 1
THIS DRAWING CONTAINS INFORMATION THAT IS PROPRIETARY TO MOLEX INCORPORATED AND SHOULD NOT BE USED WITHOUT WRITTEN PERMISSION		

9 8 7 6 5 4 3 2 1