



Excellent Integrated System Limited

Stocking Distributor

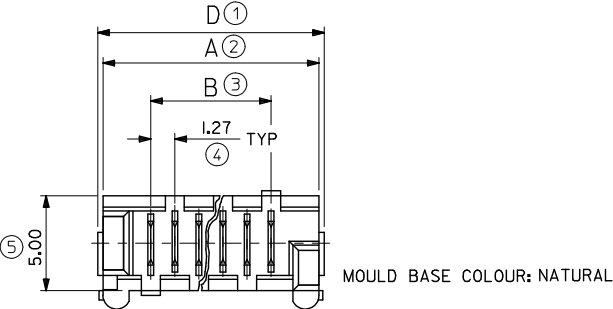
Click to view price, real time Inventory, Delivery & Lifecycle Information:

[Molex Connector Corporation](#)
[0907793012](#)

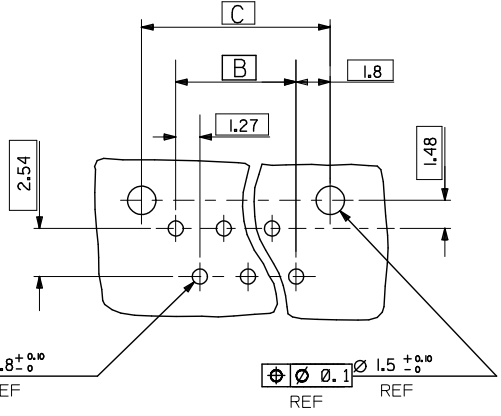
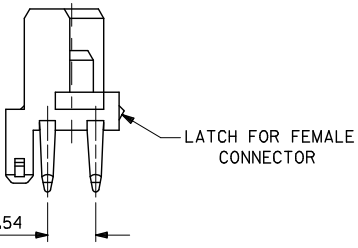
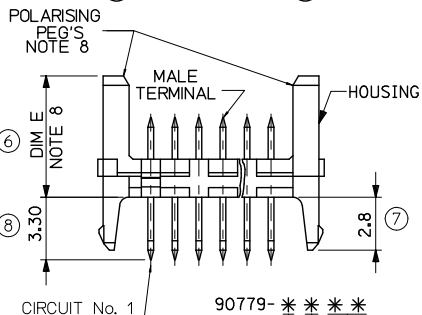
For any questions, you can email us directly:

sales@integrated-circuit.com

10 9 8 7 6 5 4 3 2 1



90779-***13	26	36.80	31.75	35.35	37.26
↑ -**12	24	34.26	29.21	32.81	34.72
-**11	22	31.72	26.67	30.27	32.18
-**10	20	29.18	24.13	27.73	29.64
-**08	18	26.64	21.59	25.19	27.10
-**07	16	24.10	19.05	22.65	24.56
-**06	14	21.56	16.51	20.11	22.02
-**05	12	19.02	13.97	17.57	19.48
-**04	10	16.48	11.43	15.03	16.94
-**03	8	13.94	8.89	12.49	14.40
↓ -**02	6	11.40	6.35	9.95	11.86
90779-***01	4	8.86	3.81	7.41	9.32
PART NO.	NO. OF CKTS	DIM. A	DIM. B	DIM. C	DIM. D



PCB LAYOUT VIEWED FROM SOLDER SIDE. BOARD 1.60±0.14 THK

CIRCUIT No. 1 90779-***

- 0= 4-6µm TIN ASSY
- 3= 0.6µm PALLADIUM NICKEL ASSY
- 7= 0.6µm PALLADIUM NICKEL, TUBED
- 9= 4-6µm TIN ASSY TUBED

- 0 - STANDARD
- 9 - SHORT VERSION

- NOTES
- HOUSING: NYLON 46, GLASS FILLED UL 94 V-0, NATURAL (WHITE).
 - TERMINAL: BRASS
 - PLATING: TIN: 127 MICROMETRE MIN NICKEL UNDER 4-6 MICROMETRE TIN

- APPLICATION GLASS TO DIN 40040 HME (-25°C/+100°C)
 - PIN PUSH FORCE 7N
 - TEST VOLTAGE: 750V.A.C./1 MIN
 - COMPATIBLE WITH MOLEX PART 90327
 - PRODUCT SPECIFICATION: PS-99020-0011
 - POLARISING PEG AVAILABLE IN 2 OPTIONS
 - DIM E: STANDARD 6.40mm
 - DIM E: SHORT VERSION 4.10mm
 - PACKAGING SPECIFICATION: PK-90325-002
- LAST INSPECTION NUMBER USED: 9

REMOVED GOLD OPTION	2012/03/27	QUALITY SYMBOLS
REMOVED GOLD OPTION	2012/03/27	▽=0
REMOVED GOLD OPTION	2012/03/27	▽=0
REMOVED GOLD OPTION	2012/03/27	

GENERAL TOLERANCES (UNLESS SPECIFIED)	
	mm INCH
4 PLACES	± --- ± ---
3 PLACES	± 0.20 ± ---
2 PLACES	± 0.20 ± ---
1 PLACE	± --- ± ---
ANGULAR ± --- °	

DIMENSION STYLE	
MM ONLY	
DRAWN BY	DATE
BGB	1992/08/21
CHECKED BY	DATE
DMORJARTY	2004/12/03
APPROVED BY	DATE
JDENNEHY	2004/12/03

SCALE	DESIGN UNITS	THIRD ANGLE PROJECTION
5:1	METRIC	☉
HEADER ASSEMBLY		
MATERIAL NO.		DOCUMENT NO.
SEE CHART		SDA-90779
SIZE		SHEET NO.
A3		1 OF 1

9 8 7 6 5 4 3 2 1