

Excellent Integrated System Limited

Stocking Distributor

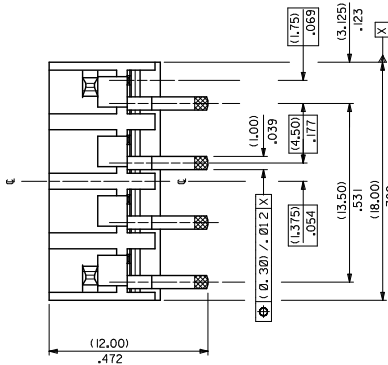
Click to view price, real time Inventory, Delivery & Lifecycle Information:

[Molex Connector Corporation](#)
[0908031001](#)

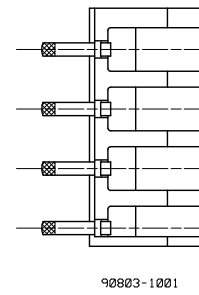
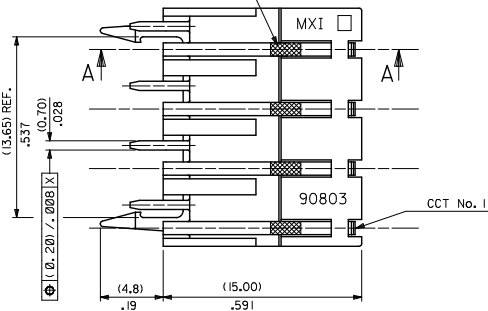
For any questions, you can email us directly:

sales@integrated-circuit.com

10 9 8 7 6 5 4 3 2 1

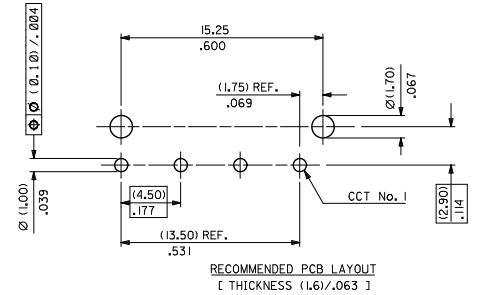
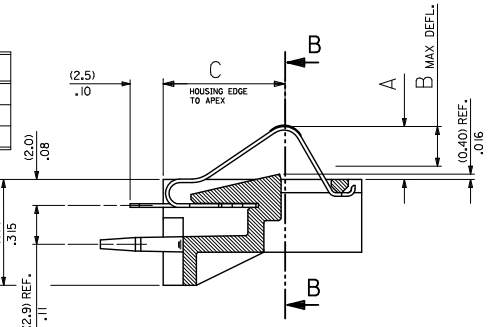


CONTACT AREA - SEE NOTE 2



PART NUMBER	CCT TYPE	A DIM.	B DIM.	C DIM.
90803-1001	STANDARD	(4.0) / .16	(3.0) / .12	(9.2) / .36

PART NUMBER	CCTS.	LATE-MATE CCT.	QTY PER TUBE
90803-1001	4	NONE	27

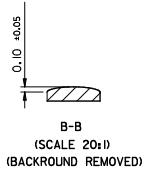


SECTION A-A

90803-1001 DRAWN FOR CLARITY

NOTES:

- HOUSING: GLASS FILLED NYLON 46, RATED UL 94V-0 COLOUR - BLACK
- TERMINAL PLATING: (0.27)/.011 MIN. REF. THICK COPPER ALLOY (PHOS-BRONZE) (0.125)/.50 INCH MIN. GOLD FLASH ON (1.0)/.40 INCH MIN. PALLADIUM NICKEL, WITH (1.75)/.70 INCH MIN NICKEL UNDERPLATE, (3-5)/.120-200 INCH TIN IN SOLDER TAIL AREA WITH (1.27)/.50 INCH MIN NICKEL OVERALL
- PRODUCTS ARE TO BE SUPPLIED IN TUBES



REV	DESCRIPTION	QUALITY SYMBOLS	GENERAL TOLERANCES (UNLESS SPECIFIED)		DIMENSION STYLE		SCALE	DESIGN UNITS	THIRD ANGLE PROJECTION
			mm	INCH	MM ONLY	DATE			
0	4 PLACES	± ---	± ---	BGB	1993/03/12	DATE	TITLE	BATTERY CONNECTOR ASSEMBLY	
1	3 PLACES	± ---	± ---	BGB	1993/03/12	DATE	TITLE	4.50 CENTRES	
2	2 PLACES	± 0.10	± ---	BGB	1993/03/12	DATE	TITLE	MOLEX INCORPORATED	
3	1 PLACE	± 0.20	± ---	BGB	1993/03/12	DATE	TITLE	MOLEX INCORPORATED	
			ANGULAR ± 3°						
			DRAFT WHERE APPLICABLE MUST REMAIN WITHIN DIMENSIONS		MATERIAL NO. SEE TABLE		DOCUMENT NO.	SDA-90803	SHEET NO. 1 OF 1

9 8 7 6 5 4 3 2 1