

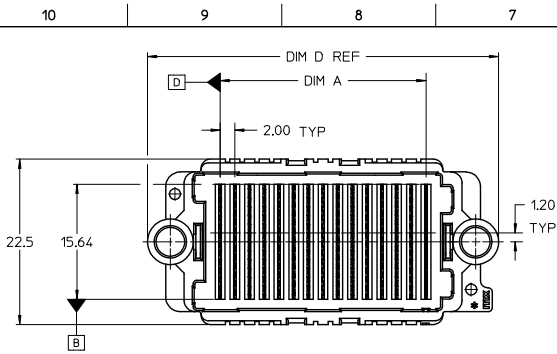
Excellent Integrated System Limited

Stocking Distributor

Click to view price, real time Inventory, Delivery & Lifecycle Information:

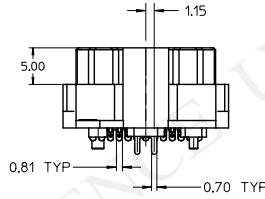
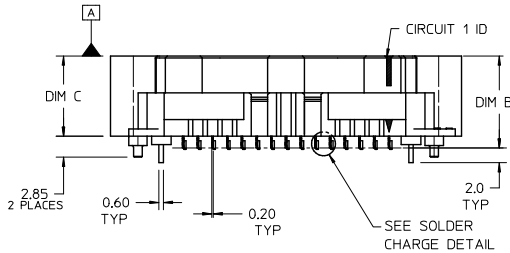
[Molex Connector Corporation](#)
[0458022007](#)

For any questions, you can email us directly:
sales@integrated-circuit.com

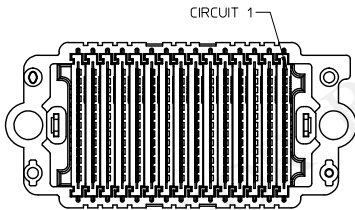
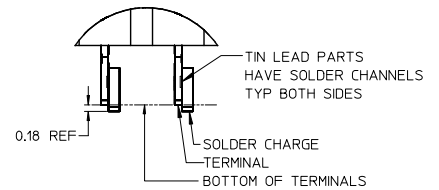


NOTES:

- HOUSING MATERIAL: LIQUID CRYSTAL POLYMER, GLASS FILLED, UL 94V-0, BLACK
CONTACT MATERIAL: HIGH PERFORMANCE COPPER ALLOY
SOLDER NAIL MATL: STAINLESS STEEL
SOLDER CHARGE MATL: 63% TIN, 37% LEAD
- FINISH:
CONTACT AREA: 0.76 MICROMETER (30 MICROINCH) MINIMUM GOLD
TAIL AREA: 2.54 MICROMETER (100 MICROINCH) MINIMUM 90/10 TIN-LEAD
ENTIRE TERMINAL: NICKEL UNDERPLATE
- PRODUCT SPEC: PS-45802-001
- COSMETIC SPEC: PS-45499-002 CLASS B
- PACKAGING SPEC: PK-45802-001 MOLEX STANDARD TRAYS
- DATUM -D- IS THE CENTERLINE OF THE 2 END SLOTS, END SLOT CENTERLINES ARE ESTABLISHED USING 2 MEASUREMENTS FOR EACH SLOT TAKEN 7.20 EITHER SIDE OF DATUM -B-.
- THERE ARE 13 CIRCUITS PER ROW

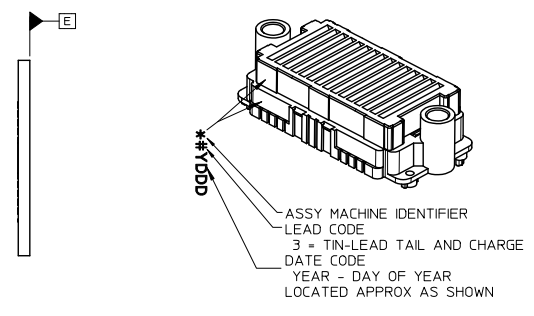
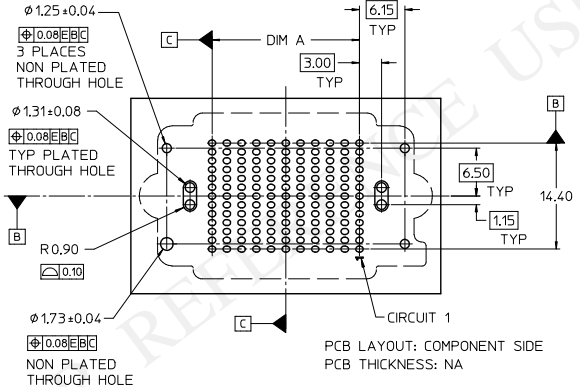
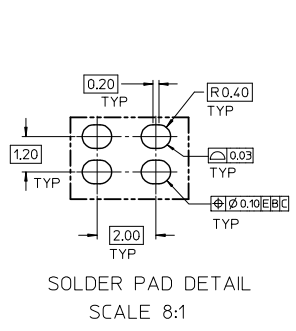
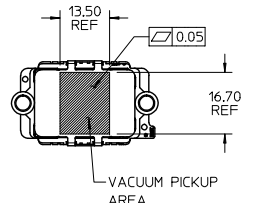


SOLDER CHARGE DETAIL



| | | | | | | | | |
|--|--------------------------------------|---|------------|----------------------------|--------------------------------|---|------------------------|---------------------------|
| INITIAL RELEASE EC NO: LCP/2016-2554 DRAWN BY: TIBARRA 2015/12/21 CHECKED BY: BBARKER 2015/12/21 APPROVED BY: TIBARRA 2016/01/27 | QUALITY SYMBOLS ▽=0 ▽=0 ▽=0 | GENERAL TOLERANCES (UNLESS SPECIFIED) | | DIMENSION STYLE MM ONLY | | SCALE 2:1 | DESIGN UNITS METRIC | THIRD ANGLE PROJECTION |
| | | 4 PLACES ± --- ± --- 3 PLACES ± 0.050 ± --- 2 PLACES ± 0.15 ± --- 1 PLACE ± 0.3 ± --- 0 PLACE ± ± | mm INCH | DRAWN BY TIBARRA | DATE 2015/12/21 | TITLE HIGH DENSITY MEZZANINE RECEPTACLE ASSEMBLY TIN-LEAD TAILS, CHARGES | | molex |
| DRAFT WHERE APPLICABLE MUST REMAIN WITHIN DIMENSIONS | ANGULAR ±1/2° | SEE TABLE | | MATERIAL NO. | DOCUMENT NO. RSD-45802-0001 | | | |
| THIS DRAWING CONTAINS INFORMATION THAT IS PROPRIETARY TO MOLEX INCORPORATED AND SHOULD NOT BE USED WITHOUT WRITTEN PERMISSION | | | | SIZE B | | | | |

| 10 | 9 | 8 | 7 | 6 | 5 | 4 | 3 | 2 | 1 | |
|---------------|-------|-------|-------------|-------------|-------------|-------------|-------------|-------------|-------------|-------------|
| STACK HEIGHT: | 8 mm | 9 mm | 10 mm | 11 mm | 12 mm | 13 mm | 14 mm | 15 mm | 17 mm | 18 mm |
| DIM B: | 10,51 | 11,51 | 12,51 | 13,51 | 14,51 | 15,51 | 16,51 | 17,51 | 19,51 | 20,51 |
| DIM C: | 8,90 | 9,90 | 10,90 | 11,90 | 12,90 | 13,90 | 14,90 | 15,90 | 17,90 | 18,90 |
| ROWS | DIM A | DIM D | MATERIAL No | MATERIAL No | MATERIAL No | MATERIAL No | MATERIAL No | MATERIAL No | MATERIAL No | MATERIAL No |
| 07 | 12,00 | 31,89 | | | | | | | | |
| 09 | 16,00 | 35,89 | | | | | | | | |
| 11 | 20,00 | 39,89 | 45802-0111 | | | | | | | |
| 13 | 24,00 | 43,89 | | | | | | | | |
| 15 | 28,00 | 47,89 | | | | | | | | |
| 17 | 32,00 | 51,89 | | | | | | | | |
| 19 | 36,00 | 55,89 | | | | | | | | |
| 21 | 40,00 | 59,89 | | | | | | | | |
| 23 | 44,00 | 63,89 | | | | | | | | |
| 25 | 48,00 | 67,89 | | | | | | | | |
| 27 | 52,00 | 71,89 | | | | | | | | |



| QUALITY SYMBOLS | GENERAL TOLERANCES (UNLESS SPECIFIED) | | DIMENSION STYLE | | SCALE | DESIGN UNITS | THIRD ANGLE PROJECTION |
|-----------------|---------------------------------------|------|-----------------|------------|---|--------------|--|
| | mm | INCH | MM ONLY | DATE | | | |
| ▽=0 | 4 PLACES ± | ± | TIBARRA | 2015/12/21 | 2:1 | METRIC | HIGH DENSITY MEZZANINE RECEPTACLE ASSEMBLY TIN-LEAD TAILS, CHARGES |
| ▽=0 | 3 PLACES ±0.050 | ± | CHECKED BY | DATE | | | |
| ▽=0 | 2 PLACES ±0.15 | ± | BBARKER | 2015/12/21 | molex DOCUMENT NO. RSD-45802-0001 SHEET NO. 2 OF 2 | | |
| ▽=0 | 1 PLACE ±0.3 | ± | APPROVED BY | DATE | | | |
| ▽=0 | 0 PLACE ± | ± | TIBARRA | 2016/01/27 | MATERIAL NO. SEE TABLE THIS DRAWING CONTAINS INFORMATION THAT IS PROPRIETARY TO MOLEX INCORPORATED AND SHOULD NOT BE USED WITHOUT WRITTEN PERMISSION | | |