

Excellent Integrated System Limited

Stocking Distributor

Click to view price, real time Inventory, Delivery & Lifecycle Information:

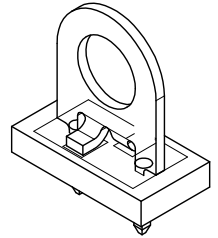
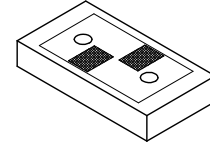
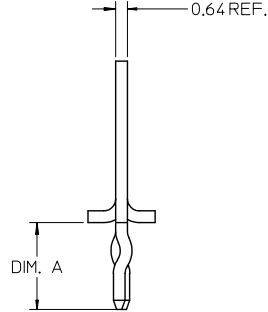
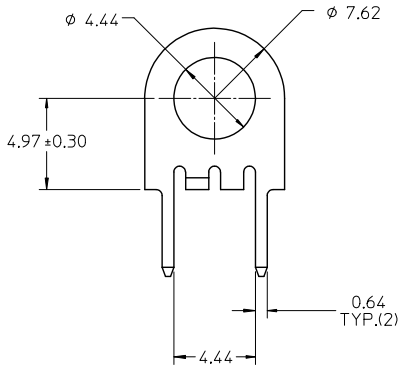
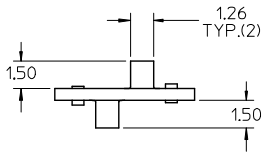
[Molex Connector Corporation](#)
[0465480001](#)

For any questions, you can email us directly:

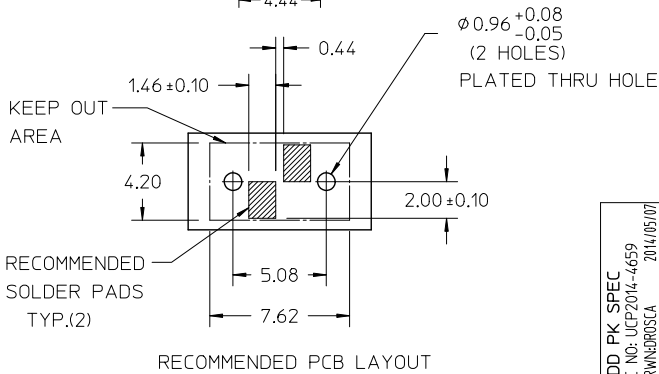
sales@integrated-circuit.com

46548

MATERIAL P/N	PCB THK.	DIM. A
46548-0001	---	3.60
46548-0002	---	4.18
46548-0003	---	4.57



HEATSINK HOOK, INSTALLATION PROCESS



- NOTES:
1. MATERIAL: ALLOY 260 BRASS
 2. PLATING: TIN 2.54μ OVER NICKEL 127μ
 3. THIS PART CONFORMS TO CLASS B REQUIREMENTS OF COSMETIC SPEC PS-45499-002
 4. PACKAGING SPECIFICATION PK-46548-0001

ADD PK SPEC EC NO: IUCP2014-4659 DRAWN: DROSCA 2014/05/07 CHKD: JCOMERC APPR: JCOMERC 2014/05/30	QUALITY SYMBOLS ▽=0 ▽=0	GENERAL TOLERANCES (UNLESS SPECIFIED)		DIMENSION STYLE MM ONLY		SCALE 5:1	DESIGN UNITS METRIC	THIRD ANGLE PROJECTION
		4 PLACES ± --- ± ---	DRAWN BY DROSCA	DATE 04/26/2007	TITLE HEATSINK HOOK			
		3 PLACES ± --- ± ---	CHECKED BY JCOMERC I	DATE 04/26/2007	MOLEX INCORPORATED			
		2 PLACES ± 0.25 ± --- 1 PLACE ± 0.5 ± --- ANGULAR ± 1/2°	APPROVED BY JCOMERC I	DATE 04/26/2007	MATERIAL NO. SEE TABLE	DOCUMENT NO. SD-46548-001	SHEET NO. 1 OF 1	
DRAFT WHERE APPLICABLE MUST REMAIN WITHIN DIMENSIONS	SIZE B	THIS DRAWING CONTAINS INFORMATION THAT IS PROPRIETARY TO MOLEX INCORPORATED AND SHOULD NOT BE USED WITHOUT WRITTEN PERMISSION						