



## **Excellent Integrated System Limited**

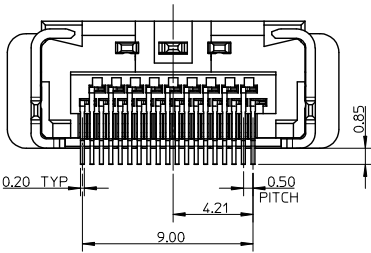
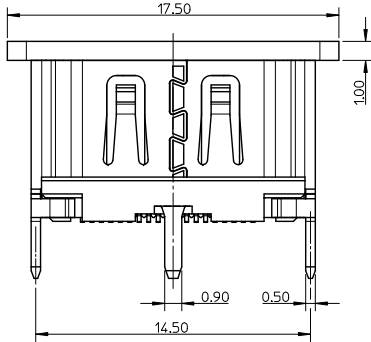
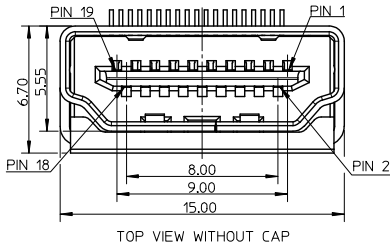
Stocking Distributor

Click to view price, real time Inventory, Delivery & Lifecycle Information:

[Molex Connector Corporation](#)  
[0476591002](#)

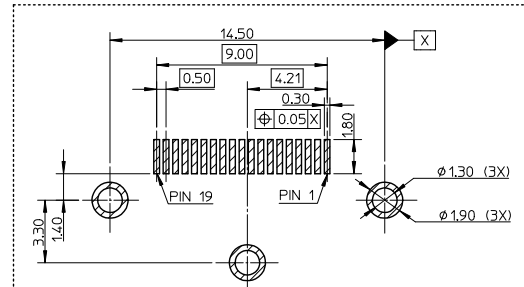
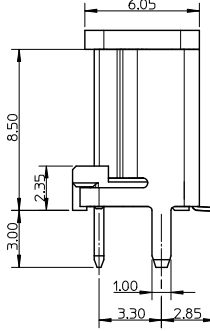
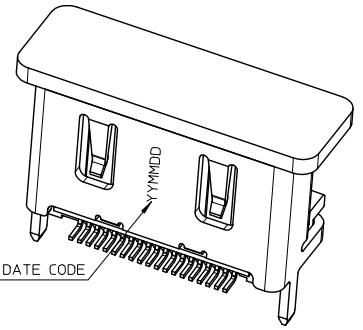
For any questions, you can email us directly:

[sales@integrated-circuit.com](mailto:sales@integrated-circuit.com)



NOTES:

- MATERIAL:  
HOUSING: HIGH TEMPERATURE THERMAL PLASTIC, COLOR: BLACK;  
SHELL: COPPER ALLOY;  
TERMINAL: COPPER ALLOY.
- PLATING:  
TERMINAL:  
CONTACT AREA: SEE TABLE;  
SOLDER AREA: 1 MICROMETER MIN. TIN-BISMUTH ALLOY PLATED;  
UNDER PLATE: 1.27 MICROMETER MIN. NICKEL.  
SHELL: 1 MICROMETER MIN. SOLDERABLE NICKEL PLATING OVERALL.
- COPLANARITY: 0.10mm MAX.
- PRODUCT SPECIFICATION REFER TO PS-47152-001, TBA FOR PD/NI OPTION.
- PACKAGE SPECIFICATION REFER TO PK-47659-001.
- PRODUCT COMPLIANT TO RoHS DIRECTIVE 2011/65/EU AND ELV DIRECTIVE 2000/53/EC.



47659-1003	0.05 MICROMETER MIN. GOLD PLATING OVER 0.70 MICROMETER MIN. PD/NI PLATING
47659-1002	GOLD FLASH
47659-1001	0.38 MICROMETER MIN GOLD PLATING
47659-1000	0.76 MICROMETER MIN GOLD PLATING
P/N	CONTACT AREA PLATING

ADD NEW P/N EC NO: S2014-0433 DRAWN: HWANG06 CHKD: JZENG APPR: KILLIM	2013/07/26 2014/01/21 2014/01/21	DESCRIPTION REV	QUALITY SYMBOLS ▽=0 ▽=0	GENERAL TOLERANCES (UNLESS SPECIFIED)		DIMENSION STYLE	SCALE	DESIGN UNITS	THIRD ANGLE PROJECTION
				mm	INCH	MM ONLY	5:1	METRIC	☉
DRAWN BY CWTANG				DATE 2008/09/03		TITLE SALED DRAWING FOR HDMI RECEPTACLE VERTICAL SMT TYPE WITH HEIGHT 8.5			
CHECKED BY XJSONG				DATE 2008/09/03		APPROVED BY HARVEY			
APPROVED BY HARVEY				DATE 2008/09/03		MATERIAL NO. SEE TABLE			
DRAFT WHERE APPLICABLE MUST REMAIN WITHIN DIMENSIONS				SIZE A3		DOCUMENT NO. SD-47659-100			
THIS DRAWING CONTAINS INFORMATION THAT IS PROPRIETARY TO MOLEX INCORPORATED AND SHOULD NOT BE USED WITHOUT WRITTEN PERMISSION				SHEET NO. 1 OF 1					