

Excellent Integrated System Limited

Stocking Distributor

Click to view price, real time Inventory, Delivery & Lifecycle Information:

[Molex Connector Corporation](#)

[0621001000](#)

For any questions, you can email us directly:

sales@integrated-circuit.com

Knockout Tool for Single Contacts

Single Contact Knockout Tool		
	Application Tooling Specification Sheet	
		Order No. 62100-1000

FEATURES

- This tool is used for the remove a single backplane contact from a connector and printed circuit board, which reduces connector replacement costs
- Lightweight manual tool that is easy to use
- High quality construction that will provide longevity with proper care of hand tool

SCOPE

Products: *HDM® Backplane and EXTreme PowerMass™ Signal Contact. See Product List below for specific part numbers. *HDM® is a registered trademark of Teradyne, Inc.

Product List

The following is a partial list of the product order numbers and their specifications this tool is designed to run. Updates to this list are available on www.molex.com.

Connector Series Number	Style	Assembly Order Number					
73642	Open End	73642-0000	73642-0100	73642-0200	73642-1000	73642-1100	73642-1200
		73642-2000	73642-2009	73642-2100	73642-2109	73642-2200	73642-2209
		73642-3000	73642-3009	73642-3100	73642-3109	73642-3200	73642-3209
73643	Closed End	73643-0000	73643-0100	73643-0200	73643-1000	73643-1100	73643-1200
		73643-2000	73643-2009	73643-2100	73643-2109	73643-2200	73643-2209
		73643-3000	73643-3009	73643-3100	73643-3109	73643-3200	73643-3209
73644	Polar Guide Option	73644-0000	73644-0001	73644-0002	73644-0003	73644-0004	73644-0005
		73644-0006	73644-0007	73644-0008	73644-0009	73644-0010	73644-0011
		73644-0012	73644-0013	73644-0014	73644-0015	73644-0016	73644-0017
		73644-0018	73644-0100	73644-0101	73644-0102	73644-0103	73644-0104
		73644-0105	73644-0106	73644-0107	73644-0108	73644-0109	73644-0110
		73644-0111	73644-0112	73644-0113	73644-0114	73644-0115	73644-0116
		73644-0117	73644-0118	73644-0200	73644-0201	73644-0202	73644-0203
		73644-0204	73644-0205	73644-0206	73644-0207	73644-0208	73644-0209
		73644-0210	73644-0211	73644-0212	73644-0213	73644-0214	73644-0215
		73644-0216	73644-0217	73644-0218			
		73644-1000	73644-1001	73644-1002	73644-1003	73644-1004	73644-1005
		73644-1006	73644-1007	73644-1008	73644-1009	73644-1010	73644-1011
		73644-1012	73644-1013	73644-1014	73644-1015	73644-1016	73644-1017
		73644-1018	73644-1100	73644-1101	73644-1102	73644-1103	73644-1104
		73644-1105	73644-1106	73644-1107	73644-1108	73644-1109	73644-1110
		73644-1111	73644-1112	73644-1113	73644-1114	73644-1115	73644-1116
		73644-1117	73644-1118	73644-1200	73644-1201	73644-1202	73644-1203
		73644-1204	73644-1205	73644-1206	73644-1207	73644-1208	73644-1209
		73644-1210	73644-1211	73644-1212	73644-1213	73644-1214	73644-1215
		73644-1216	73644-1217	73644-1218			

Knockout Tool for Single Contacts

Connector Series Number	Style	Assembly Order Number							
73644	Polar Guide Option	73644-2000	73644-2001	73644-2002	73644-2003	73644-2004	73644-2005		
		73644-2006	73644-2007	73644-2008	73644-2009	73644-2010	73644-2011		
		73644-2012	73644-2013	73644-2014	73644-2015	73644-2016	73644-2017		
		73644-2018	73644-2100	73644-2101	73644-2102	73644-2103	73644-2104		
		73644-2105	73644-2106	73644-2107	73644-2108	73644-2109	73644-2110		
		73644-2111	73644-2112	73644-2113	73644-2114	73644-2115	73644-2116		
		73644-2117	73644-2118	73644-2200	73644-2201	73644-2202	73644-2203		
		73644-2204	73644-2205	73644-2206	73644-2207	73644-2208	73644-2209		
		73644-2210	73644-2211	73644-2212	73644-2213	73644-2214	73644-2215		
		73644-2216	73644-2217	73644-2218					
		73644-3000	73644-3001	73644-3002	73644-3003	73644-3004	73644-3005		
		73644-3006	73644-3007	73644-3008	73644-3009	73644-3010	73644-3011		
		73644-3012	73644-3013	73644-3014	73644-3015	73644-3016	73644-3017		
		73644-3018	73644-3100	73644-3101	73644-3102	73644-3103	73644-3104		
		73644-3105	73644-3106	73644-3107	73644-3108	73644-3109	73644-3110		
		73644-3111	73644-3112	73644-3113	73644-3114	73644-3115	73644-3116		
		73644-3117	73644-3118	73644-3200	73644-3201	73644-3202	73644-3203		
		73644-3204	73644-3205	73644-3206	73644-3207	73644-3208	73644-3209		
		73644-3210	73644-3211	73644-3212	73644-3213	73644-3214	73644-3215		
		73644-3216	73644-3217	73644-3218					
		73650	Keyed Option	73644-6000	73644-6001	73644-6002	73644-6003	73644-6004	73644-6005
				73644-6006	73644-6007	73644-6008	73644-6009	73644-6010	73644-6011
				73644-6012	73644-6013	73644-6014	73644-6015	73644-6016	73644-6017
				73644-6018	73644-6100	73644-6101	73644-6102	73644-6103	73644-6104
	73644-6105			73644-6106	73644-6107	73644-6108	73644-6109	73644-6110	
	73644-6111			73644-6112	73644-6113	73644-6114	73644-6115	73644-6116	
	73644-6117			73644-6118	73644-6200	73644-6201	73644-6202	73644-6203	
	73644-6204			73644-6205	73644-6206	73644-6207	73644-6208	73644-6209	
	73644-6210			73644-6211	73644-6212	73644-6213	73644-6214	73644-6215	
	73644-6216			73644-6217	73644-6218				
	73644-7000			73644-7001	73644-7002	73644-7003	73644-7004	73644-7005	
	73644-7006			73644-7007	73644-7008	73644-7009	73644-7010	73644-7011	
	73644-7012			73644-7013	73644-7014	73644-7015	73644-7016	73644-7017	
	73644-7018			73644-7100	73644-7101	73644-7102	73644-7103	73644-7104	
	73644-7105			73644-7106	73644-7107	73644-7108	73644-7109	73644-7110	
	73644-7111			73644-7112	73644-7113	73644-7114	73644-7115	73644-7116	
73644-7117	73644-7118			73644-7200	73644-7201	73644-7202	73644-7203		
73644-7204	73644-7205			73644-7206	73644-7207	73644-7208	73644-7209		
73644-7210	73644-7211			73644-7212	73644-7213	73644-7214	73644-7215		
73644-7216	73644-7217			73644-7218					
73650	Custom	73650-0001	73650-0002	73650-0003	73650-0004	73650-0005	73650-0006		
		73650-0007	73650-0008	73650-0009	73650-0010	73650-0011	73650-0012		
		73650-0013	73650-0014	73650-0015	73650-0016	73650-0017	73650-0018		
		73650-0019	73650-0020	73650-0021	73650-0022	73650-0023	73650-0024		
		73650-0025	73650-0026	73650-0027	73650-0028	73650-0029	73650-0030		
		73650-0031	73650-0032	73650-0033	73650-0034	73650-0035	73650-0036		
		73650-0037	73650-0038	73650-0039	73650-0040	73650-0041	73650-0042		
		73650-0043	73650-0044	73650-0045	73650-0046	73650-0047	73650-0048		
		73650-0049	73650-0050	73650-0051	73650-0052	73650-0053	73650-0054		
		73650-0055	73650-0056	73650-0057	73650-0058	73650-0059	73650-0060		
		73650-0061	73650-0062	73650-0063	73650-0064	73650-0065	73650-0066		
		73650-0067	73650-0068	73650-0069	73650-0070	73650-0071	73650-0072		
		73650-0073	73650-0074	73650-0075	73650-0076	73650-0077	73650-0078		
		73650-0079	73650-0080	73650-0081	73650-0082	73650-0083	73650-0084		

Knockout Tool for Single Contacts

Connector Series Number	Style	Assembly Order Number					
73650	Custom	73650-0085	73650-0086	73650-0087	73650-0088	73650-0089	73650-0090
		73650-0091	73650-0092	73650-0093	73650-0094	73650-0095	73650-0096
		73650-0097	73650-0098	73650-0099	73650-0100		
		73650-0101	73650-0102	73650-0103	73650-0104	73650-0105	73650-0106
		73650-0107	73650-0108	73650-0109	73650-0110	73650-0111	73650-0112
		73650-0113	73650-0114	73650-0115	73650-0116	73650-0117	73650-0118
		73650-0119	73650-0120	73650-0121	73650-0122	73650-0123	73650-0124
		73650-0125	73650-0126	73650-0127	73650-0128	73650-0129	73650-0130
		73650-0131	73650-0132	73650-0133	73650-0134	73650-0135	73650-0136
		73650-0137	73650-0138	73650-0139	73650-0140	73650-0141	73650-0142
		73650-0143	73650-0144	73650-0145	73650-0146	73650-0147	73650-0148
		73650-0149	73650-0150	73650-0151	73650-0152	73650-0153	73650-0154
		73650-0155	73650-0156	73650-0157	73650-0158	73650-0159	73650-0160
		73650-0161	73650-0162	73650-0163	73650-0164	73650-0165	73650-0166
		73650-0167	73650-0168	73650-0169	73650-0170	73650-0171	73650-0172
		73650-0173	73650-0174	73650-0175	73650-0176	73650-0177	73650-0178
		73650-0179	73650-0180	73650-0181	73650-0182	73650-0183	73650-0184
		73650-0185	73650-0186	73650-0187	73650-0188	73650-0189	73650-0190
		73650-0191	73650-0192	73650-0193	73650-0194	73650-0195	73650-0196
		73650-0197	73650-0198	73650-0199	73650-0200		
		73650-0201	73650-0202	73650-0203	73650-0204	73650-0205	73650-0206
		73650-0207	73650-0208	73650-0209	73650-0210	73650-0211	73650-0212
		73650-0213	73650-0214	73650-0215	73650-0216	73650-0217	73650-0218
		73650-0219	73650-0220	73650-0221	73650-0222	73650-0223	73650-0224
		73650-0225	73650-0226	73650-0227	73650-0228	73650-0229	73650-0230
		73650-0231	73650-0232	73650-0233	73650-0234	73650-0235	73650-0236
		73650-0237	73650-0238	73650-0239	73650-0240	73650-0242	73650-0243
		73650-0244	73650-0245	73650-0246	73650-0247	73650-0248	73650-0250
		73650-0251	73650-0252	73650-0253	73650-0254	73650-0255	73650-0257
		73650-0258	73650-0259	73650-0260	73650-0261	73650-0265	73650-0270
		73650-0271	73650-0272	73650-0275	73650-0276	73650-0277	73650-0279
		73650-0285	73650-0286	73650-0287	73650-0288	73650-0289	73650-0290
73650-0291	73650-0292	73650-0293	73650-0294	73650-0295	73650-0296		
73650-0297	73650-0298	73650-0299	73650-9950	73650-9959	73650-9960		
73650-9961	73650-9962	73650-9963	73650-9966	73650-9967	73650-9968		
73650-9969	73650-9970	73650-9971	73650-9972	73650-9973	73650-9974		
73650-9975	73650-9976	73650-9977	73650-9978	73650-9979	73650-9980		
73770	Closed End	73770-0100	73770-0109	73770-0200	73770-0209	73770-0300	73770-0309
		73770-1100	73770-1109	73770-1200	73770-1209	73770-1300	73770-1309
73771	Stacking Polar Guide Option	73771-0100	73771-0101	73771-0102	73771-0190	73771-0191	73771-0192
		73771-0200	73771-0201	73771-0202	73771-0290	73771-0291	73771-0292
		73771-0300	73771-0301	73771-0302	73771-0390	73771-0391	73771-0392
		73771-1100	73771-1101	73771-1102	73771-1190	73771-1191	73771-1192
		73771-1200	73771-1201	73771-1202	73771-1290	73771-1291	73771-1292
		73771-1300	73771-1301	73771-1302	73771-1390	73771-1391	73771-1392
		73771-0100	73771-0101	73771-0102	73771-0190	73771-0191	73771-0192
		73771-0200	73771-0201	73771-0202	73771-0290	73771-0291	73771-0292
		73771-0300	73771-0301	73771-0302	73771-0390	73771-0391	73771-0392
		73771-1100	73771-1101	73771-1102	73771-1190	73771-1191	73771-1192
		73771-1200	73771-1201	73771-1202	73771-1290	73771-1291	73771-1292
		73771-1300	73771-1301	73771-1302	73771-1390	73771-1391	73771-1392
73797	Open End Duck Pin	73797-0000	73797-0200	73797-2000	73797-2009	73797-2200	73797-2209
		73797-1000	73797-1200	73797-3000	73797-3009	73797-3200	73797-3209

Knockout Tool for Single Contacts

Connector Series Number	Style	Assembly Order Number					
		73798	Open End Duck Pin	73798-0000	73798-0200	73798-2000	73798-2009
		73798-1000	73798-1200	73798-3000	73798-3009	73798-3200	73798-3209
73799	Open End Duck Pin	73799-0000	73799-0001	73799-0002	73799-0003	73799-0004	73799-0005
		73799-0006	73799-0007	73799-0008	73799-0009	73799-0010	73799-0011
		73799-0012	73799-0013	73799-0014	73799-0015	73799-0016	73799-0017
		73799-0018	73799-0200	73799-0201	73799-0202	73799-0203	73799-0204
		73799-0205	73799-0206	73799-0207	73799-0208	73799-0209	73799-0210
		73799-0211	73799-0212	73799-0213	73799-0214	73799-0215	73799-0216
		73799-0217	73799-0218				
		73799-1000	73799-1001	73799-1002	73799-1003	73799-1004	73799-1005
		73799-1006	73799-1007	73799-1008	73799-1009	73799-1010	73799-1011
		73799-1012	73799-1013	73799-1014	73799-1015	73799-1016	73799-1017
		73799-1018	73799-1200	73799-1201	73799-1202	73799-1203	73799-1204
		73799-1205	73799-1206	73799-1207	73799-1208	73799-1209	73799-1210
		73799-1211	73799-1212	73799-1213	73799-1214	73799-1215	73799-1216
		73799-1217	73799-1218				
		73799-2000	73799-2001	73799-2002	73799-2003	73799-2004	73799-2005
		73799-2006	73799-2007	73799-2008	73799-2009	73799-2010	73799-2011
		73799-2012	73799-2013	73799-2014	73799-2015	73799-2016	73799-2017
		73799-2018	73799-2200	73799-2201	73799-2202	73799-2203	73799-2204
		73799-2205	73799-2206	73799-2207	73799-2208	73799-2209	73799-2210
		73799-2211	73799-2212	73799-2213	73799-2214	73799-2215	73799-2216
		73799-2217	73799-2218				
		73799-3000	73799-3001	73799-3002	73799-3003	73799-3004	73799-3005
		73799-3006	73799-3007	73799-3008	73799-3009	73799-3010	73799-3011
		73799-3012	73799-3013	73799-3014	73799-3015	73799-3016	73799-3017
		73799-3018	73799-3200	73799-3201	73799-3202	73799-3203	73799-3204
		73799-3205	73799-3206	73799-3207	73799-3208	73799-3209	73799-3210
		73799-3211	73799-3212	73799-3213	73799-3214	73799-3215	73799-3216
		73799-3217	73799-3218				
		73799-8000	73799-8001	73799-8002	73799-8003	73799-8004	73799-8005
		73799-8006	73799-8007	73799-8008	73799-8009	73799-8010	73799-8011
		73799-8012	73799-8013	73799-8014	73799-8015	73799-8016	73799-8017
		73799-8018	73799-8200	73799-8201	73799-8202	73799-8203	73799-8204
		73799-8205	73799-8206	73799-8207	73799-8208	73799-8209	73799-8210
		73799-8211	73799-8212	73799-8213	73799-8214	73799-8215	73799-8216
73799-8217	73799-8218						
73799-9000	73799-9001	73799-9002	73799-9003	73799-9004	73799-9005		
73799-9006	73799-9007	73799-9008	73799-9009	73799-9010	73799-9011		
73799-9012	73799-9013	73799-9014	73799-9015	73799-9016	73799-9017		
73799-9018	73799-9200	73799-9201	73799-9202	73799-9203	73799-9204		
73799-9205	73799-9206	73799-9207	73799-9208	73799-9209	73799-9210		
73799-9211	73799-9212	73799-9213	73799-9214	73799-9215	73799-9216		
73799-9217	73799-9218						
73942	Open End	73942-0000	73942-0100	73942-0200	73942-1000	73942-1100	73942-1200
		73942-2000	73942-2100	73942-2200	73942-3000	73942-3100	73942-3200
		73942-4000	73942-4100	73942-4200	73942-5000	73942-5100	73942-5200
		73942-6000	73942-6100	73942-6200	73942-7000	73942-7100	73942-7200
73943	Closed End	73943-0000	73943-0100	73943-0200	73943-1000	73943-1100	73943-1200
		73943-2000	73943-2100	73943-2200	73943-3000	73943-3100	73943-3200
		73943-4000	73943-4100	73943-4200	73943-5000	73943-5100	73943-5200
		73943-6000	73943-6100	73943-6200	73943-7000	73943-7100	73943-7200
73944		73944-0000	73944-0001	73944-0002	73944-0003	73944-0004	73944-0005

Knockout Tool for Single Contacts

Connector Series Number	Style	Assembly Order Number					
73944	Polar Guide Option	73944-0006	73944-0007	73944-0008	73944-0009	73944-0010	73944-0011
		73944-0012	73944-0013	73944-0014	73944-0015	73944-0016	73944-0017
		73944-0018	73944-0100	73944-0101	73944-0102	73944-0103	73944-0104
		73944-0105	73944-0106	73944-0107	73944-0108	73944-0109	73944-0110
		73944-0111	73944-0112	73944-0113	73944-0114	73944-0115	73944-0116
		73944-0117	73944-0118	73944-0200	73944-0201	73944-0202	73944-0203
		73944-0204	73944-0205	73944-0206	73944-0207	73944-0208	73944-0209
		73944-0210	73944-0211	73944-0212	73944-0213	73944-0214	73944-0215
		73944-0216	73944-0217	73944-0218			
		73944-1000	73944-1001	73944-1002	73944-1003	73944-1004	73944-1005
		73944-1006	73944-1007	73944-1008	73944-1009	73944-1010	73944-1011
		73944-1012	73944-1013	73944-1014	73944-1015	73944-1016	73944-1017
		73944-1018	73944-1100	73944-1101	73944-1102	73944-1103	73944-1104
		73944-1105	73944-1106	73944-1107	73944-1108	73944-1109	73944-1110
		73944-1111	73944-1112	73944-1113	73944-1114	73944-1115	73944-1116
		73944-1117	73944-1118	73944-1200	73944-1201	73944-1202	73944-1203
		73944-1204	73944-1205	73944-1206	73944-1207	73944-1208	73944-1209
		73944-1210	73944-1211	73944-1212	73944-1213	73944-1214	73944-1215
		73944-1216	73944-1217	73944-1218			
		73944-2000	73944-2001	73944-2002	73944-2003	73944-2004	73944-2005
		73944-2006	73944-2007	73944-2008	73944-2009	73944-2010	73944-2011
		73944-2012	73944-2013	73944-2014	73944-2015	73944-2016	73944-2017
		73944-2018	73944-2100	73944-2101	73944-2102	73944-2103	73944-2104
		73944-2105	73944-2106	73944-2107	73944-2108	73944-2109	73944-2110
		73944-2111	73944-2112	73944-2113	73944-2114	73944-2115	73944-2116
		73944-2117	73944-2118	73944-2200	73944-2201	73944-2202	73944-2203
		73944-2204	73944-2205	73944-2206	73944-2207	73944-2208	73944-2209
		73944-2210	73944-2211	73944-2212	73944-2213	73944-2214	73944-2215
		73944-2216	73944-2217	73944-2218			
		73944-3000	73944-3001	73944-3002	73944-3003	73944-3004	73944-3005
		73944-3006	73944-3007	73944-3008	73944-3009	73944-3010	73944-3011
		73944-3012	73944-3013	73944-3014	73944-3015	73944-3016	73944-3017
		73944-3018	73944-3100	73944-3101	73944-3102	73944-3103	73944-3104
		73944-3105	73944-3106	73944-3107	73944-3108	73944-3109	73944-3110
		73944-3111	73944-3112	73944-3113	73944-3114	73944-3115	73944-3116
		73944-3117	73944-3118	73944-3200	73944-3201	73944-3202	73944-3203
		73944-3204	73944-3205	73944-3206	73944-3207	73944-3208	73944-3209
		73944-3210	73944-3211	73944-3212	73944-3213	73944-3214	73944-3215
		73944-3216	73944-3217	73944-3218			
		73944-4000	73944-4001	73944-4002	73944-4003	73944-4004	73944-4005
		73944-4006	73944-4007	73944-4008	73944-4009	73944-4010	73944-4011
		73944-4012	73944-4013	73944-4014	73944-4015	73944-4016	73944-4017
		73944-4018	73944-4100	73944-4101	73944-4102	73944-4103	73944-4104
		73944-4105	73944-4106	73944-4107	73944-4108	73944-4109	73944-4110
		73944-4111	73944-4112	73944-4113	73944-4114	73944-4115	73944-4116
		73944-4117	73944-4118	73944-4200	73944-4201	73944-4202	73944-4203
		73944-4204	73944-4205	73944-4206	73944-4207	73944-4208	73944-4209
		73944-4210	73944-4211	73944-4212	73944-4213	73944-4214	73944-4215
		73944-4216	73944-4217	73944-4218			
		73944-5000	73944-5001	73944-5002	73944-5003	73944-5004	73944-5005
73944-5006	73944-5007	73944-5008	73944-5009	73944-5010	73944-5011		
73944-5012	73944-5013	73944-5014	73944-5015	73944-5016	73944-5017		
73944-5018	73944-5100	73944-5101	73944-5102	73944-5103	73944-5104		
73944-5105	73944-5106	73944-5107	73944-5108	73944-5109	73944-5110		

Knockout Tool for Single Contacts

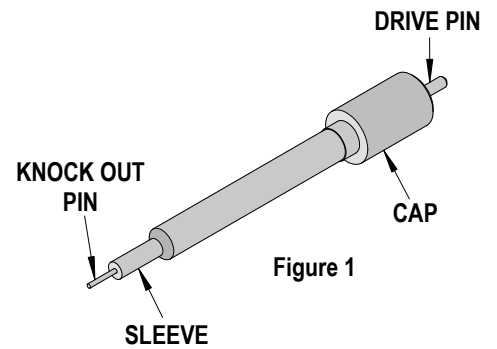
Connector Series Number	Style	Assembly Order Number					
73944	Polar Guide Option	73944-5111	73944-5112	73944-5113	73944-5114	73944-5115	73944-5116
		73944-5117	73944-5118	73944-5200	73944-5201	73944-5202	73944-5203
		73944-5204	73944-5205	73944-5206	73944-5207	73944-5208	73944-5209
		73944-5210	73944-5211	73944-5212	73944-5213	73944-5214	73944-5215
		73944-5216	73944-5217	73944-5218			
		73944-6000	73944-6001	73944-6002	73944-6003	73944-6004	73944-6005
		73944-6006	73944-6007	73944-6008	73944-6009	73944-6010	73944-6011
		73944-6012	73944-6013	73944-6014	73944-6015	73944-6016	73944-6017
		73944-6018	73944-6100	73944-6101	73944-6102	73944-6103	73944-6104
		73944-6105	73944-6106	73944-6107	73944-6108	73944-6109	73944-6110
		73944-6111	73944-6112	73944-6113	73944-6114	73944-6115	73944-6116
		73944-6117	73944-6118	73944-6200	73944-6201	73944-6202	73944-6203
		73944-6204	73944-6205	73944-6206	73944-6207	73944-6208	73944-6209
		73944-6210	73944-6211	73944-6212	73944-6213	73944-6214	73944-6215
		73944-6216	73944-6217	73944-6218			
		73944-7000	73944-7001	73944-7002	73944-7003	73944-7004	73944-7005
		73944-7006	73944-7007	73944-7008	73944-7009	73944-7010	73944-7011
		73944-7012	73944-7013	73944-7014	73944-7015	73944-7016	73944-7017
		73944-7018	73944-7100	73944-7101	73944-7102	73944-7103	73944-7104
		73944-7105	73944-7106	73944-7107	73944-7108	73944-7109	73944-7110
		73944-7111	73944-7112	73944-7113	73944-7114	73944-7115	73944-7116
		73944-7117	73944-7118	73944-7200	73944-7201	73944-7202	73944-7203
		73944-7204	73944-7205	73944-7206	73944-7207	73944-7208	73944-7209
		73944-7210	73944-7211	73944-7212	73944-7213	73944-7214	73944-7215
		73944-7216	73944-7217	73944-7218			
		74349	Double Ended Wall	74349-0000	74349-0010	74349-0100	74349-0110
74349-1010	74349-1011			74349-1012	74349-1013	74349-1110	74349-1111
74349-1112	74349-1113			74349-2010	74349-2011	74349-2012	74349-2013
74349-0090							
74992	Double Ended Wall	74992-0000	74992-0001	74992-0002	74992-0003	74992-0004	74992-0005
		74992-0010	74992-0011	74992-0012	74992-0013	74992-0014	74992-0015
		74992-0100	74992-0101	74992-0102	74992-0103	74992-0104	74992-0105
		74992-0110	74992-0111	74992-0112	74992-0113	74992-0114	74992-0115
		74992-0200	74992-0201	74992-0202	74992-0203	74992-0204	74992-0205
		74992-0210	74992-0211	74992-0212	74992-0213	74992-0214	74992-0215
		74992-1000	74992-1001	74992-1002	74992-1003	74992-1004	74992-1005
		74992-1010	74992-1011	74992-1012	74992-1013	74992-1014	74992-1015
		74992-1100	74992-1101	74992-1102	74992-1103	74992-1104	74992-1105
		74992-1110	74992-1111	74992-1112	74992-1113	74992-1114	74992-1115
		74992-1200	74992-1201	74992-1202	74992-1203	74992-1204	74992-1205
		74992-1210	74992-1211	74992-1212	74992-1213	74992-1214	74992-1215
		74992-2000	74992-2001	74992-2002	74992-2003	74992-2004	74992-2005
		74992-2010	74992-2011	74992-2012	74992-2013	74992-2014	74992-2015
		74992-2100	74992-2101	74992-2102	74992-2103	74992-2104	74992-2105
		74992-2110	74992-2111	74992-2112	74992-2113	74992-2114	74992-2115
		74992-2200	74992-2201	74992-2202	74992-2203	74992-2204	74992-2205
		74992-2210	74992-2211	74992-2212	74992-2213	74992-2214	74992-2215
		74992-3000	74992-3001	74992-3002	74992-3003	74992-3004	74992-3005
		74992-3010	74992-3011	74992-3012	74992-3013	74992-3014	74992-3015
		74992-3100	74992-3101	74992-3102	74992-3103	74992-3104	74992-3105
		74992-3110	74992-3111	74992-3112	74992-3113	74992-3114	74992-3115
		74992-3200	74992-3201	74992-3202	74992-3203	74992-3204	74992-3205
		74992-3210	74992-3211	74992-3212	74992-3213	74992-3214	74992-3215

Knockout Tool for Single Contacts

DESCRIPTION

The Single Contact Knockout Tool is designed to remove a single compliant contact from a connector and printed circuit board.

It is 66mm (2.6 in.) long by 8mm (.31 in.) diameter, and weights about 0.03kg (1 oz.). See Figure 1.



WARNING: Great care must be taken when removing contacts from a connector and printed circuit board. It is very easy to damage the plating on a through-plated hole.

OPERATION:

There are (4) different conditions when removing a single backplane contact from a connector. See Figure 2. Each condition requires a different removal technique. Some may require additional tooling.

Example No.1

If contact is intact use Removal Option No.1 or No.2.

Example No.2

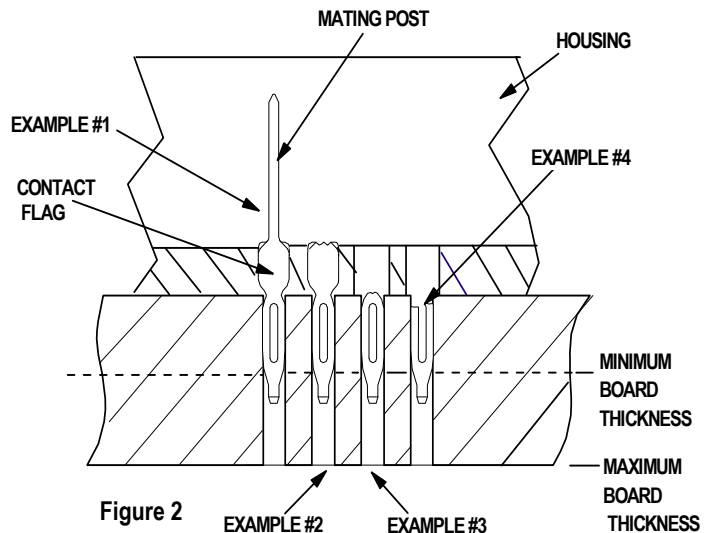
If contact mating post is broken off use Removal Option No.1 or No.2.

Example No.3

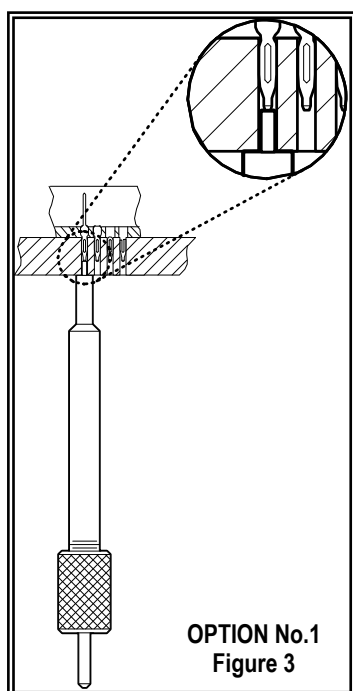
If contact flag is broken off, and part of the contact is above board surface, use Removal Option No.1 or No.2.

Example No.4

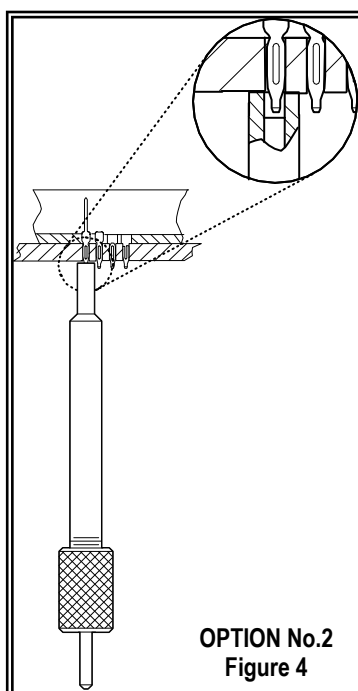
If contact flag is broken off, and remainder of contact is below the board surface, use Removal Option No.3.



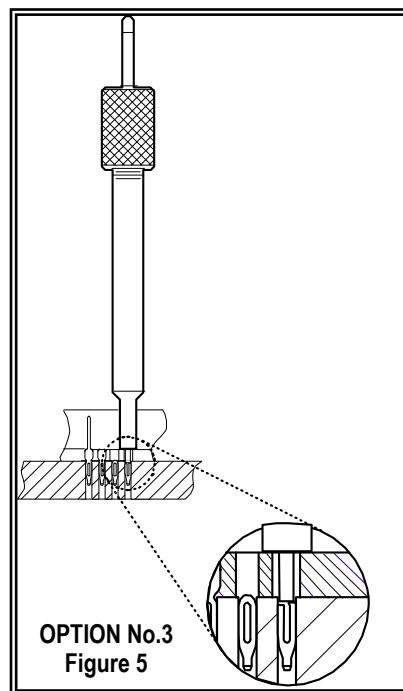
Knockout Tool for Single Contacts



OPTION No.1
Figure 3



OPTION No.2
Figure 4



OPTION No.3
Figure 5

Removing a Contact Pin (See Figure 1)

Option No.1

If the printed circuit board is too thick and the contact pin does not protrude from the back, use the Knockout Tool by placing it into the contact hole of the damaged contact pin from the back of the printed circuit board. Gently tap the drive pin of the knockout tool with a small hammer until the contact becomes loose. Then gently pull it out. See Figure 3.

WARNING: Eye protection should be worn when using a hammer.

Option No.2

If the printed circuit board is too thin and the contact pin sticks out the back, use the Knockout Tool by placing the sleeve over the damaged contact pin from the back of the printed circuit board. Gently tap the drive pin of the knockout tool with a small hammer until the contact becomes loose. Then gently pull it out. See Figure 4.

Option No.3

To use the Knockout Tool from the top of the printed circuit board, place it into the contact hole where the damaged pin is located. Gently tap the drive pin of the knockout tool with a small hammer until the contact becomes loose. Then gently pull it out. See Figure 5.

Molex does not offer repair parts for the Knockout Tool due to the inexpensive nature of these tools.

<http://www.molex.com>