

Excellent Integrated System Limited

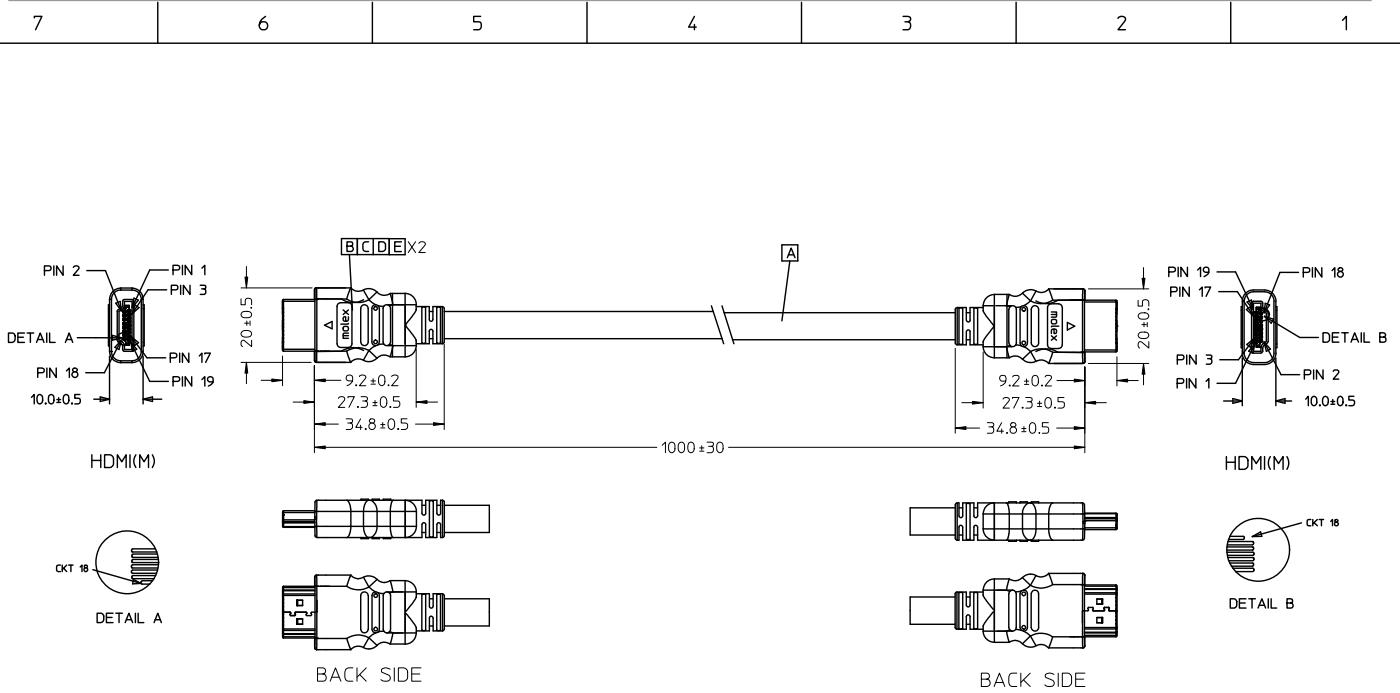
Stocking Distributor

Click to view price, real time Inventory, Delivery & Lifecycle Information:

[Molex Connector Corporation](#)
[0687670018](#)

For any questions, you can email us directly:

sales@integrated-circuit.com



ENTER DESCRIPTION EC NO: DG2011-0440 DRW: FZHANG01 CHKD: LIU13 APPR: ZXDENG 2011/05/04 2011/05/04 2011/05/11	QUALITY SYMBOLS ▽=0 ▽=0	GENERAL TOLERANCES (UNLESS SPECIFIED)		DIMENSION STYLE MM ONLY		SCALE	DESIGN UNITS METRIC	THIRD ANGLE PROJECTION
		4 PLACES ± --- ± ---	DRAWN BY FZHANG01	DATE 2011/04/29	TITLE HDMI (M) TO HDMI (M) CABLE ASSY			
		3 PLACES ± --- ± ---	CHECKED BY JFZHENG	DATE 2011/04/29				
		2 PLACES ± --- ± --- 1 PLACE ± --- ± ---	APPROVED BY ZXDENG	DATE 2011/05/11	MOLEX INCORPORATED			
ANGULAR ± --- °	MATERIAL NO. 687670018	DOCUMENT NO. SD-68767-0018	SHEET NO. 1 OF 2					
DRAFT WHERE APPLICABLE MUST REMAIN WITHIN DIMENSIONS			SIZE A4	THIS DRAWING CONTAINS INFORMATION THAT IS PROPRIETARY TO MOLEX INCORPORATED AND SHOULD NOT BE USED WITHOUT WRITTEN PERMISSION				

7 6 5 4 3 2 1

WIRE DIAGRAM:

SHIELD	SHIELD	OVERALL SHIELD	GROUND
PIN 19	PIN 19	PINK	HOT PLUG DETECT
PIN 18	PIN 18	ORANGE	+5V POWER
PIN 17	PIN 17	YELLOW	DDC/CEC GROUND
PIN 16	PIN 16	WHITE	SDA
PIN 15	PIN 15	RED	SCL
PIN 14	PIN 14	VIOLET	RESERVED
PIN 13	PIN 13	GRAY	CEC
PIN 12	PIN 12	WHITE	TMDS CLOCK-
PIN 11	PIN 11	BRAID	TMDS CLOCK SHIELD
PIN 10	PIN 10	BLACK	TMDS CLOCK+
PIN 9	PIN 9	WHITE	TMDS DATA 0-
PIN 8	PIN 8	BRAID	TMDS DATA 0 SHIELD
PIN 7	PIN 7	BLUE	TMDS DATA 0+
PIN 6	PIN 6	WHITE	TMDS DATA 1-
PIN 5	PIN 5	BRAID	TMDS DATA 1 SHIELD
PIN 4	PIN 4	GREEN	TMDS DATA 1+
PIN 3	PIN 3	WHITE	TMDS DATA 2-
PIN 2	PIN 2	BRAID	TMDS DATA 2 SHIELD
PIN 1	PIN 1	RED	TMDS DATA 2+
HDMI	HDMI	COLOR	CABLE FUNCTION

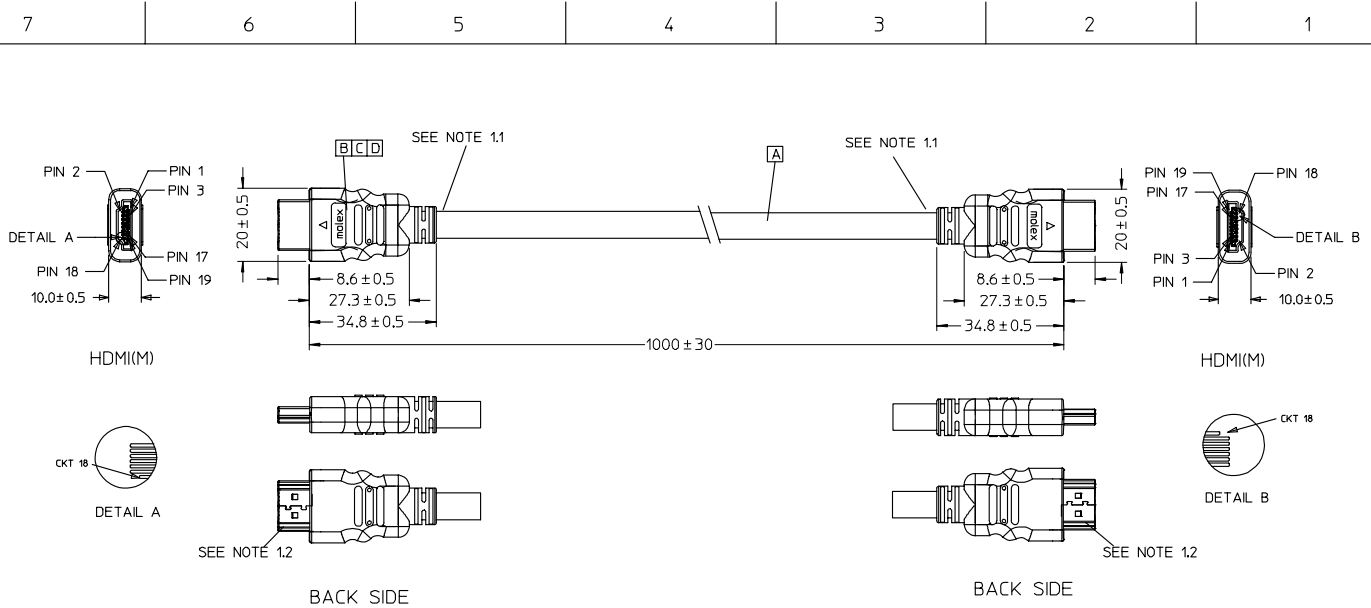
NOTE:

- OVERMOLD SPECIFICATION:
 - HDMI INNERMOLD WITH BK PVC
 - HDMI OVERMOLD WITH PVC
 - HDMI DUST COVER WITH PE
- PRODUCT ELECTRICAL SPECIFICATION: REFER TO HDMI SPECIFICATION FOR DETAILS.
- THIS PRODUCT MUST MEET ROHS COMPLIANCE.

E	PRE-CUT C.Foil 47X23mm T=25U		2
D	COPPER FOLIL		2
C	HDMI 19P MALE,30U"Au Solder Type		2
B	Metal Shell For HDMI 19P Male,Gold flash		2
A	(4P+1P)X28+5CX28,ALSH,PVC,BK,7.3JUL20276	1000 ref.	1
ITEM	DESCRIPTION	LENGTH	QTY.

ENTER DESCRIPTION EC NO: DG2011-0440 DRW:FZHANG01 2011/05/04 CHKD:LLU13 2011/05/04 APPR:ZXDENG 2011/05/11 A	QUALITY SYMBOLS 	GENERAL TOLERANCES (UNLESS SPECIFIED)		DIMENSION STYLE MM ONLY		SCALE - - - -	DESIGN UNITS METRIC	THIRD ANGLE PROJECTION
		4 PLACES ± --- ± ---	DRAWN BY FZHANG01	DATE 2011/04/29	TITLE HDMI (M) TO HDMI (M) CABLE ASSY			
		3 PLACES ± --- ± ---	CHECKED BY JFZHENG	DATE 2011/04/29				
		2 PLACES ± --- ± ---	APPROVED BY ZXDENG		DATE 2011/05/11	MOLEX INCORPORATED		
1 PLACE ± --- ± ---	MATERIAL NO. 687670018		DOCUMENT NO. SD-68767-0018	SHEET NO. 2 OF 2				
DRAFT WHERE APPLICABLE MUST REMAIN WITHIN DIMENSIONS				SIZE A 4	THIS DRAWING CONTAINS INFORMATION THAT IS PROPRIETARY TO MOLEX INCORPORATED AND SHOULD NOT BE USED WITHOUT WRITTEN PERMISSION			

6 5 4 3 2 1



Released EC NO: DG2007-0027 2006/09/02 DRWN: JFZHENG 2006/09/04 CHKD: JFZHENG 2006/09/04 APPR: DQ LUO 2006/09/04	DESCRIPTION HDM(M) TO HDM(M) GOLD 1M CABLE, 28#AWG	QUALITY SYMBOLS ▽=0 ▽=0	GENERAL TOLERANCES (UNLESS SPECIFIED)		DIMENSION STYLE MM ONLY		SCALE ---	DESIGN UNITS METRIC	THIRD ANGLE PROJECTION																	
		<table border="1"> <thead> <tr> <th></th> <th>mm</th> <th>INCH</th> </tr> </thead> <tbody> <tr> <td>4 PLACES</td> <td>±---</td> <td>±---</td> </tr> <tr> <td>3 PLACES</td> <td>±---</td> <td>±---</td> </tr> <tr> <td>2 PLACES</td> <td>±---</td> <td>±---</td> </tr> <tr> <td>1 PLACE</td> <td>±---</td> <td>±---</td> </tr> </tbody> </table>			mm	INCH	4 PLACES	±---	±---	3 PLACES	±---	±---	2 PLACES	±---	±---	1 PLACE	±---	±---	DRAWN BY JFZHENG		DATE 2006/08/26		TITLE HDM(M) TO HDM(M) GOLD 1M CABLE, 28#AWG			
			mm	INCH																						
		4 PLACES	±---	±---																						
3 PLACES	±---	±---																								
2 PLACES	±---	±---																								
1 PLACE	±---	±---																								
DRAFT WHERE APPLICABLE MUST REMAIN WITHIN DIMENSIONS			CHECKED BY JF ZHNENG		DATE 2006/08/26		MOLEX INCORPORATED																			
APPROVED BY DQ LUO		DATE 2006/08/26		MATERIAL NO. 687670018		DOCUMENT NO. SD-68767-018		SHEET NO. 1 OF 2																		

7 6 5 4 3 2 1

WIRE DIAGRAM:

SHIELD	SHIELD	OVERALL SHIELD	GROUND
PIN 19	PIN 19	PINK	HOT PLUG DETECT
PIN 18	PIN 18	ORANGE	+5V POWER
PIN 17	PIN 17	YELLOW	DDC/CEC GROUND
PIN 16	PIN 16	WHITE	SDA
PIN 15	PIN 15	RED	SCL
PIN 14	PIN 14	VIOLET	RESERVED
PIN 13	PIN 13	GRAY	CEC
PIN 12	PIN 12	WHITE	TMDS CLOCK-
PIN 11	PIN 11	BRAID	TMDS CLOCK SHIELD
PIN 10	PIN 10	WHITE/BLACK	TMDS CLOCK+
PIN 9	PIN 9	WHITE	TMDS DATA 0-
PIN 8	PIN 8	BRAID	TMDS DATA 0 SHIELD
PIN 7	PIN 7	WHITE/BLUE	TMDS DATA 0+
PIN 6	PIN 6	WHITE	TMDS DATA 1-
PIN 5	PIN 5	BRAID	TMDS DATA 1 SHIELD
PIN 4	PIN 4	WHITE/GREEN	TMDS DATA 1+
PIN 3	PIN 3	WHITE	TMDS DATA 2-
PIN 2	PIN 2	BRAID	TMDS DATA 2 SHIELD
PIN 1	PIN 1	WHITE/RED	TMDS DATA 2+
HDMI	HDMI	COLOR	CABLE FUNCTION

NOTE:

- OVERMOLD SPECIFICATION:
 - HDMI INNERMOLD WITH BK PVC 887800019.
 - HDMI OVERMOLD WITH PVC 887800150.
 - HDMI DUST COVER WITH PE 887800008.
 - MECHANICAL SPECIFICATION:

CABLE SHOULD STAND THE PULL FORCE 89-111N FOR 30 SECONDS WITH NO VISIBLE TERMINATION DAMAGE.
 - PRODUCT ELECTRICAL SPECIFICATION:
 - DIELECTRIC STRENGTH.
 - INSULATION RESISTANCE.
 - CONDUCTIVE RESISTANCE.
 - TMDS Signals Time Domain Impedence
 - TMDS Signals Time Domain Crosstalk:FEXT
 - TMDS Signals Skew
 - Attenuation
- REFER TO ES-002 ELECTRICAL SPECIFICATION FOR DETAILS.
- CABLE CONSTRUCTION:

(4P+1P+5)*28AWG;SHLD;PVC,BK;7.30MM;HDMI
 - THIS PRODUCT MUST MEET ROHS COMPLIANCE.

D	HDMI METAL PLATE 47152-6009		2
C	HDMI METAL CAN GOLD FLASH 47152-4002		2
B	HDMI HOUSING ASSY BLACK 47152-1000		2
A	HDMI SINGLE LINK CABLE,OD=7.3MM,172000455	1000 ref.	1
ITEM	DESCRIPTION	LENGTH	QTY.

Released EC NO: DG2007-0027 2006/09/02 DRAWN: JFZHENG 2006/09/04 CHKD: JFZHENG 2006/09/04 APPR: DQ LUO 2006/09/04	QUALITY SYMBOLS ▽=0 ▽=0	GENERAL TOLERANCES (UNLESS SPECIFIED)		DIMENSION STYLE	SCALE	DESIGN UNITS	THIRD ANGLE PROJECTION	
				MM ONLY	---	METRIC		
		4 PLACES	±---	±---	DRAWN BY	DATE	TITLE	
		3 PLACES	±---	±---	JFZHENG	2006/08/26	HDMI(M) TO HDMI(M) GOLD 1M CABLE,28#AWG	
		2 PLACES	±---	±---	CHECKED BY	DATE		
		1 PLACE	±---	±---	JF ZHNENG	2006/08/26		
		ANGULAR ±---°		APPROVED BY	DATE	MOLEX MOLEX INCORPORATED		
		DRAFT WHERE APPLICABLE MUST REMAIN WITHIN DIMENSIONS		MATERIAL NO.	DOCUMENT NO.	SHEET NO.		
				687670018	SD-68767-018	2 OF 2		
		THIS DRAWING CONTAINS INFORMATION THAT IS PROPRIETARY TO MOLEX INCORPORATED AND SHOULD NOT BE USED WITHOUT WRITTEN PERMISSION						

6 5 4 3 2 1