

Excellent Integrated System Limited

Stocking Distributor

Click to view price, real time Inventory, Delivery & Lifecycle Information:

[Molex Connector Corporation](#)
[0733560230](#)

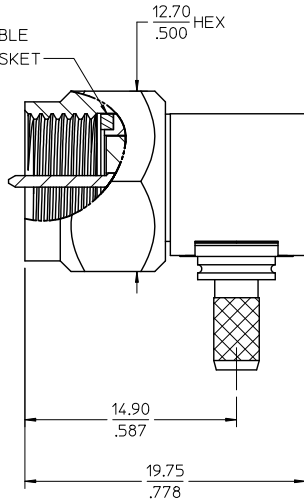
For any questions, you can email us directly:

sales@integrated-circuit.com

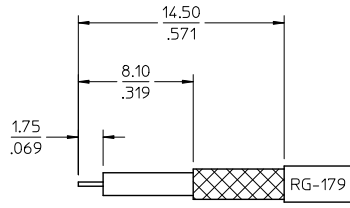
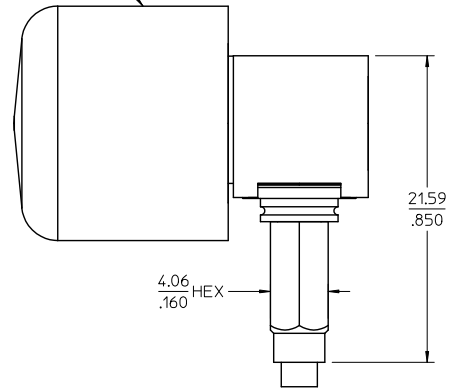
MATERIALS AND FINISHES

- BODY, COUPLING NUT: BRASS PLATED NICKEL
- CONTACT: BRASS PLATED GOLD
- CRIMP TUBE, COVER: BRASS PLATED NICKEL
- SNAP RING: BERYLLIUM COPPER
- INSULATOR: TEFLON
- GASKET (SEE TABLE): SILICONE RUBBER
- CAP: VINYL (BLACK)

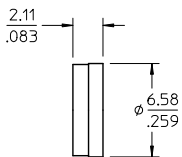
SEE TABLE FOR GASKET



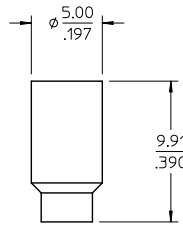
PROTECTIVE CAP



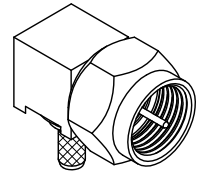
RECOMMENDED CABLE STRIP



CAP



CRIMP TUBE



| 73356-0231 | WITH INTERFACE GASKET | | | | | | | | | | | | | | | | | | | | | | | | | | | | |
|--|---|---------------------------------------|---------------------|----------------|------------------------|------------------------|------------|---|-------|---------------|----------------|--|----------------|--------|----------------------------------|-------|---------------|-------|--|--------|--------|----------------------------------|---|--------------|--------------|-----------|-----------|--------------|--------|
| 73356-0230 | WITHOUT INTERFACE GASKET | | | | | | | | | | | | | | | | | | | | | | | | | | | | |
| PART NO. | DESCRIPTION | | | | | | | | | | | | | | | | | | | | | | | | | | | | |
| <table border="1"> <tr> <td>PS-89675-3640</td> <td>ELECTRO PERFORMANCE</td> </tr> <tr> <td>SPECIFICATION</td> <td>DESCRIPTION</td> </tr> </table> | | PS-89675-3640 | ELECTRO PERFORMANCE | SPECIFICATION | DESCRIPTION | | | | | | | | | | | | | | | | | | | | | | | | |
| PS-89675-3640 | ELECTRO PERFORMANCE | | | | | | | | | | | | | | | | | | | | | | | | | | | | |
| SPECIFICATION | DESCRIPTION | | | | | | | | | | | | | | | | | | | | | | | | | | | | |
| <table border="1"> <tr> <th>QUALITY SYMBOLS</th> <th>GENERAL TOLERANCES (UNLESS SPECIFIED)</th> <th>DIMENSION STYLE</th> <th>SCALE</th> <th>DESIGN UNITS</th> <th>THIRD ANGLE PROJECTION</th> </tr> <tr> <td> ▼=0 ∇=0 </td> <td> <table border="1"> <tr> <th>mm</th> <th>INCH</th> </tr> <tr> <td>4 PLACES ± ---</td> <td>± ---</td> </tr> <tr> <td>3 PLACES ± ---</td> <td>± ---</td> </tr> <tr> <td>2 PLACES ± ---</td> <td>± ---</td> </tr> <tr> <td>1 PLACE ± ---</td> <td>± ---</td> </tr> </table> ANGULAR ± 2 ° </td> <td> MM/IN DRAWN BY LMB DATE 2000/10/02 CHECKED BY GMH DATE 2000/10/02 APPROVED BY JWIENER DATE 2010/07/01 </td> <td>METRIC</td> <td>METRIC</td> <td> F PLUG, R/A FOR RG179 F-PC </td> </tr> </table> | QUALITY SYMBOLS | GENERAL TOLERANCES (UNLESS SPECIFIED) | DIMENSION STYLE | SCALE | DESIGN UNITS | THIRD ANGLE PROJECTION | ▼=0 ∇=0 | <table border="1"> <tr> <th>mm</th> <th>INCH</th> </tr> <tr> <td>4 PLACES ± ---</td> <td>± ---</td> </tr> <tr> <td>3 PLACES ± ---</td> <td>± ---</td> </tr> <tr> <td>2 PLACES ± ---</td> <td>± ---</td> </tr> <tr> <td>1 PLACE ± ---</td> <td>± ---</td> </tr> </table> ANGULAR ± 2 ° | mm | INCH | 4 PLACES ± --- | ± --- | 3 PLACES ± --- | ± --- | 2 PLACES ± --- | ± --- | 1 PLACE ± --- | ± --- | MM/IN DRAWN BY LMB DATE 2000/10/02 CHECKED BY GMH DATE 2000/10/02 APPROVED BY JWIENER DATE 2010/07/01 | METRIC | METRIC | F PLUG, R/A FOR RG179 F-PC | <table border="1"> <tr> <td>MATERIAL NO.</td> <td>DOCUMENT NO.</td> <td>SHEET NO.</td> </tr> <tr> <td>SEE TABLE</td> <td>SD-73356-023</td> <td>1 OF 1</td> </tr> </table> | MATERIAL NO. | DOCUMENT NO. | SHEET NO. | SEE TABLE | SD-73356-023 | 1 OF 1 |
| QUALITY SYMBOLS | GENERAL TOLERANCES (UNLESS SPECIFIED) | DIMENSION STYLE | SCALE | DESIGN UNITS | THIRD ANGLE PROJECTION | | | | | | | | | | | | | | | | | | | | | | | | |
| ▼=0 ∇=0 | <table border="1"> <tr> <th>mm</th> <th>INCH</th> </tr> <tr> <td>4 PLACES ± ---</td> <td>± ---</td> </tr> <tr> <td>3 PLACES ± ---</td> <td>± ---</td> </tr> <tr> <td>2 PLACES ± ---</td> <td>± ---</td> </tr> <tr> <td>1 PLACE ± ---</td> <td>± ---</td> </tr> </table> ANGULAR ± 2 ° | mm | INCH | 4 PLACES ± --- | ± --- | 3 PLACES ± --- | ± --- | 2 PLACES ± --- | ± --- | 1 PLACE ± --- | ± --- | MM/IN DRAWN BY LMB DATE 2000/10/02 CHECKED BY GMH DATE 2000/10/02 APPROVED BY JWIENER DATE 2010/07/01 | METRIC | METRIC | F PLUG, R/A FOR RG179 F-PC | | | | | | | | | | | | | | |
| mm | INCH | | | | | | | | | | | | | | | | | | | | | | | | | | | | |
| 4 PLACES ± --- | ± --- | | | | | | | | | | | | | | | | | | | | | | | | | | | | |
| 3 PLACES ± --- | ± --- | | | | | | | | | | | | | | | | | | | | | | | | | | | | |
| 2 PLACES ± --- | ± --- | | | | | | | | | | | | | | | | | | | | | | | | | | | | |
| 1 PLACE ± --- | ± --- | | | | | | | | | | | | | | | | | | | | | | | | | | | | |
| MATERIAL NO. | DOCUMENT NO. | SHEET NO. | | | | | | | | | | | | | | | | | | | | | | | | | | | |
| SEE TABLE | SD-73356-023 | 1 OF 1 | | | | | | | | | | | | | | | | | | | | | | | | | | | |
| DRAFT WHERE APPLICABLE MUST REMAIN WITHIN DIMENSIONS | | | | | | | | | | | | | | | | | | | | | | | | | | | | | |
| THIS DRAWING CONTAINS INFORMATION THAT IS PROPRIETARY TO MOLEX INCORPORATED AND SHOULD NOT BE USED WITHOUT WRITTEN PERMISSION | | | | | | | | | | | | | | | | | | | | | | | | | | | | | |