

Excellent Integrated System Limited

Stocking Distributor

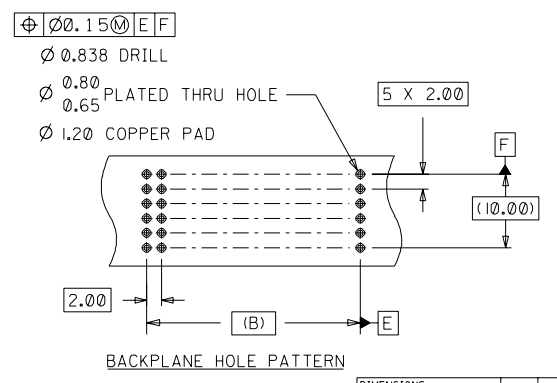
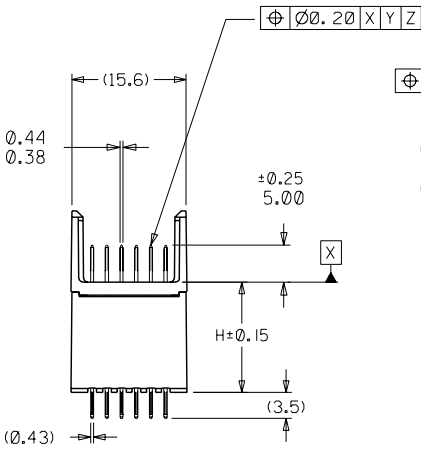
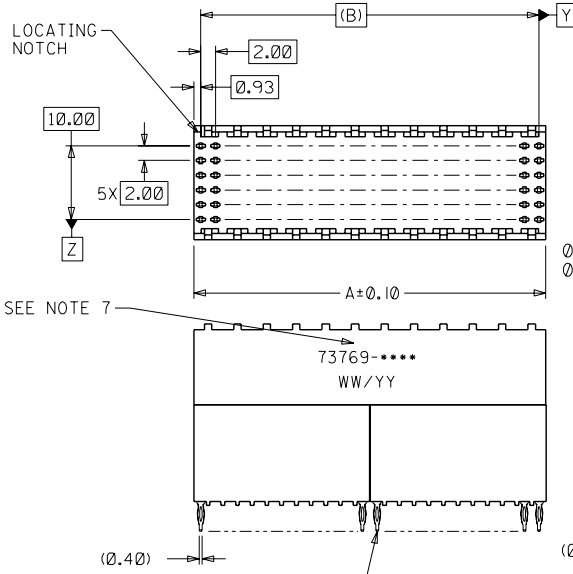
Click to view price, real time Inventory, Delivery & Lifecycle Information:

[Molex Connector Corporation](#)
[0737690200](#)

For any questions, you can email us directly:
sales@integrated-circuit.com

- NOTES:
1. MATERIALS: HOUSING-LIQUID CRYSTAL POLYMER (LCP), GLASS-FILLED, UL94V-0, COLOR: BLACK. TERMINAL-PHOSPHOR BRONZE
 2. FINISH: SELECTIVE GOLD (Au) IN CONTACT AREA, 0.00076mm MINIMUM THICKNESS; SELECTIVE TIN/LEAD (Sn/Pb) ON TAILS, NICKEL (Ni) OVERALL.
 3. THIS PART CONFORMS TO MOLEX PRODUCT SPECIFICATION PS-73780-999.
 4. DIMENSIONS ARE IN MILLIMETERS.
 5. RECOMMENDED PCB THICKNESS: 2.50 MINIMUM.
 6. PACKAGE PER PK-70873-0870, PK-70873-0871, OR PK-70873-0875.
 7. PARTS MARKED WITH PART NUMBER AND DATE CODE APPROXIMATELY WHERE SHOWN.

ASSEMBLY P/N	TOTAL NUMBER OF SIGNAL CONTACTS	DIM "A"	DIM "B"	DIM "H"
73769-0100	72	23.84	22.00	15.05
73769-0200	72	23.84	22.00	6.05
73769-0300	72	23.84	22.00	10.05
73769-1100	144	47.84	46.00	15.05
73769-1200	144	47.84	46.00	6.05
73769-1300	144	47.84	46.00	10.05



SEE NOTE 7

REVISED EC NO. UDT2000-1073 DRW: JBINGHAM 000508 CHK: REED 000508 APPR: BIXLER 000508 REV DESCRIPTION	QUALITY SYMBOLS	GENERAL TOLERANCES: (UNLESS SPECIFIED)	SCALE 2:1	DESIGN UNITS <input checked="" type="checkbox"/> mm <input type="checkbox"/> INCH	THIRD ANGLE PROJECTION	DIMENSIONS: <input type="checkbox"/> INCH <input type="checkbox"/> mm <input checked="" type="checkbox"/> mm ONLY	SHT 2	REV
	MAJOR = 0 CRITICAL = 0 MINOR = 0	4 PLACES ±0.1 3 PLACES ±0.2 2 PLACES ±0.05 1 PLACE ±0.10	±0.25 5.00 H=0.15 (3.5)	DRAWN BY & DATE JBINGHAM 97/03/07	CHECKED BY & DATE SREED 97/03/07	TITLE: SALES ASSEMBLY		
		ANGULAR: ± 1/2°	APPROVED BY & DATE CBIXLER 97/03/07	CAD FILENAME S73769X1.DGN	MATERIAL NO. SEE CHART	MOLEX INCORPORATED		
		DRAFT WHERE APPLICABLE MUST REMAIN WITHIN DIMENSIONS	THIS DRAWING CONTAINS INFORMATION THAT IS PROPRIETARY TO MOLEX INCORPORATED AND SHOULD NOT BE USED WITHOUT WRITTEN PERMISSION.		DRAWING NO. SD-73769-001			SHEET NO. 1 OF 1