

## **Excellent Integrated System Limited**

Stocking Distributor

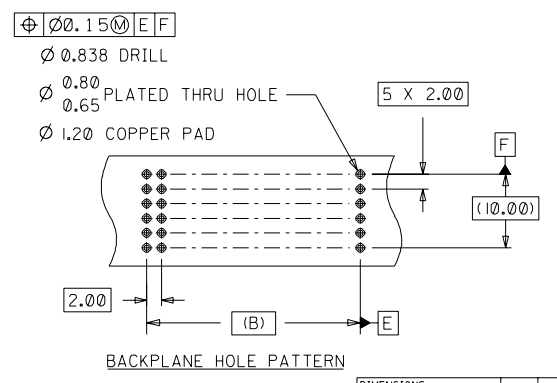
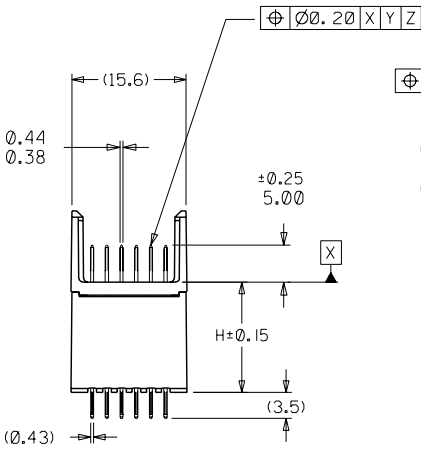
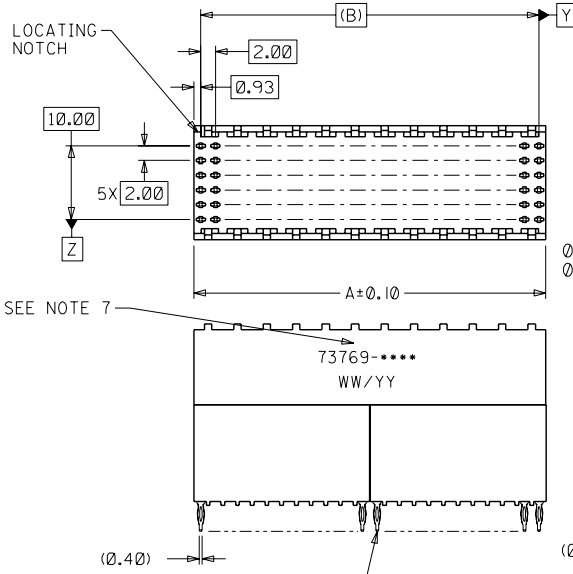
Click to view price, real time Inventory, Delivery & Lifecycle Information:

[Molex Connector Corporation](#)  
[0737690300](#)

For any questions, you can email us directly:  
[sales@integrated-circuit.com](mailto:sales@integrated-circuit.com)

- NOTES:
1. MATERIALS: HOUSING-LIQUID CRYSTAL POLYMER (LCP), GLASS-FILLED, UL94V-0, COLOR: BLACK. TERMINAL-PHOSPHOR BRONZE
  2. FINISH: SELECTIVE GOLD (Au) IN CONTACT AREA, 0.00076mm MINIMUM THICKNESS; SELECTIVE TIN/LEAD (Sn/Pb) ON TAILS, NICKEL (Ni) OVERALL.
  3. THIS PART CONFORMS TO MOLEX PRODUCT SPECIFICATION PS-73780-999.
  4. DIMENSIONS ARE IN MILLIMETERS.
  5. RECOMMENDED PCB THICKNESS: 2.50 MINIMUM.
  6. PACKAGE PER PK-70873-0870, PK-70873-0871, OR PK-70873-0875.
  7. PARTS MARKED WITH PART NUMBER AND DATE CODE APPROXIMATELY WHERE SHOWN.

ASSEMBLY P/N	TOTAL NUMBER OF SIGNAL CONTACTS	DIM "A"	DIM "B"	DIM "H"
73769-0100	72	23.84	22.00	15.05
73769-0200	72	23.84	22.00	6.05
73769-0300	72	23.84	22.00	10.05
73769-1100	144	47.84	46.00	15.05
73769-1200	144	47.84	46.00	6.05
73769-1300	144	47.84	46.00	10.05



REVISED EC NO. UDT2000-1073 DRW: JBINGHAM 000508 CHK: REED 000508 APPR: BIXLER 000508	DESCRIPTION MAJOR CRITICAL MINOR	QUALITY SYMBOLS MAJOR CRITICAL MINOR	GENERAL TOLERANCES: (UNLESS SPECIFIED) mm INCH 4 PLACES ±0.1 ±. 3 PLACES ±0.1 ±. 2 PLACES ±0.05 ±. 1 PLACE ±0.10 ±. ANGULAR: ± 1/2°	SCALE 2:1 DESIGN UNITS <input checked="" type="checkbox"/> mm <input type="checkbox"/> INCH	DRAWN BY & DATE JBINGHAM 97/03/07 CHECKED BY & DATE SREED 97/03/07 APPROVED BY & DATE CBIXLER 97/03/07	DIMENSIONS: <input type="checkbox"/> mm <input type="checkbox"/> INCH <input checked="" type="checkbox"/> mm ONLY	SHT REV
		DRAFT WHERE APPLICABLE MUST REMAIN WITHIN DIMENSIONS	CAD FILENAME S73769X1.DGN	MATERIAL NO. SEE CHART	DRAWING NO. SD-73769-001	SHEET NO. 1 OF 1 SIZE B	